

LUXRITE®

LED CANLESS - SPOTLIGHT LANCASTER COLLECTION FLOATING GIMBAL



LR23215



LR23216



LR23217



LR23218



LR23215 LED5W/DL2/FGB/5CCT/RD



APERTURE	2"
DISTRIBUTION	GIMBAL
APPLICATION	NEW CONSTRUCTION/REMODEL

ELECTRICAL

POWER	5W
INPUT VOLTS	120V
INPUT CURRENT	42mA
FREQUENCY	60Hz
DIMMING TYPE	TRIAC
DIMMING RANGE	10-100%
FEED WIRE GAUGE	22AWG
BREAKER SPECIFICATION (15A @120V)	239pcs*

*Mathematically estimated value. Actual capacity may vary by breaker type and installation environment.

PHOTOMETRIC

COLOR CCT	2700K/3000K/3500K/4000K/5000K
CRI	90
LUMEN	400lm
EFFICACY	80lm/w
BEAM ANGLE	38°

CERTIFICATIONS & SAFETY

LR23215	ETL
DAMP LOCATION	YES
IC RATED	YES
AIR TIGHT	YES
OPERATING TEMP.	-4°F to 104°F
COST/YR	\$ 0.60
WARRANTY	5 YR

MATERIAL & APPLICATION

HOUSING	ALUMINUM
LENS	PC
CUTOUT	Ø2.75"
MOUNTING TYPE	RECESSED
SWIVEL ANGLE	90°
AREA OF APPLICATION	RESIDENTIAL, COMMERCIAL
CEILING TYPE	DRYWALL, WOOD

DRIVER

	POWER	INPUT VOLTS	INPUT CURRENT	FREQUENCY	INPUT POWER	OUTPUT VOLTAGE	DIMENSIONS	KNOCKOUTS
INCLUDED DRIVER	5W	120V	42mA	60Hz	5W max	36V DC	4.80"L X 2.04"W X 2.04"H	2

MODEL	DESCRIPTION	EM POWER	INPUT VOLTS	INPUT CURRENT	FREQUENCY	INPUT POWER	OUTPUT VOLTAGE	RECHARGE TIME	EMERGENCY TIME
LR35126**	LED/EMR/15W/AC/SF/E	15	100-347V	100mA	50/60Hz	12W max	170V DC	24HR	90MINS

*AMBIENT TEMPERATURE: 41°F ~ 122°F
**SOLD SEPARATELY

DIMENSIONS

CUTOUT: Ø2.75"

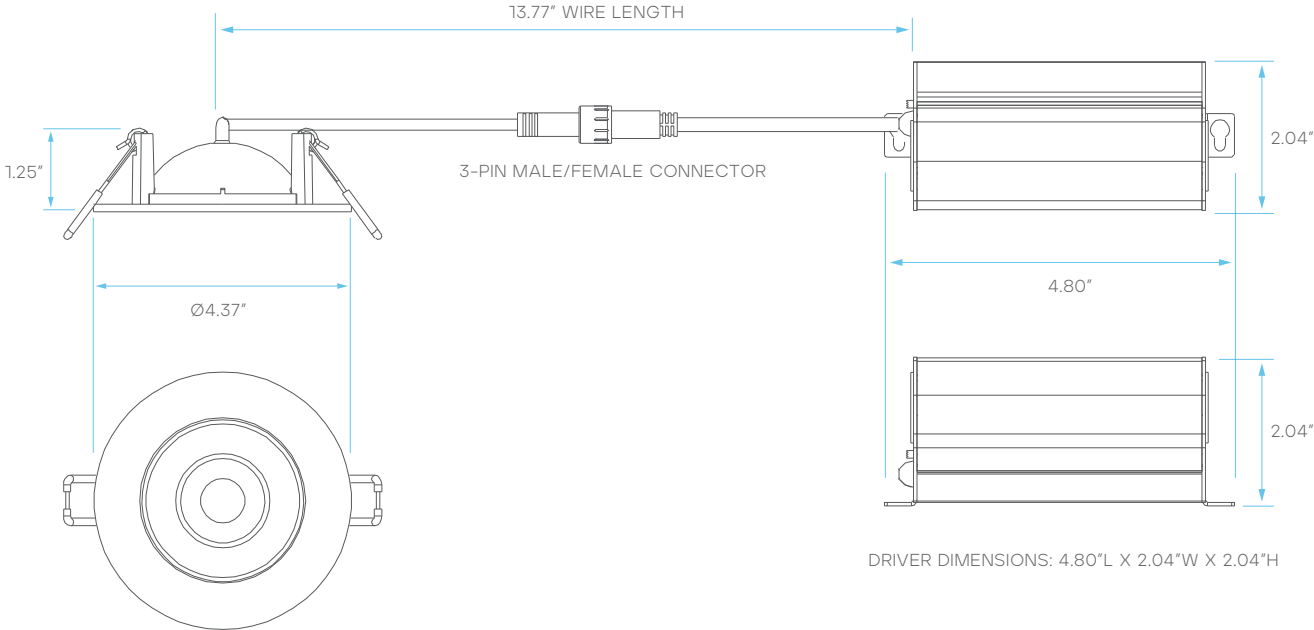
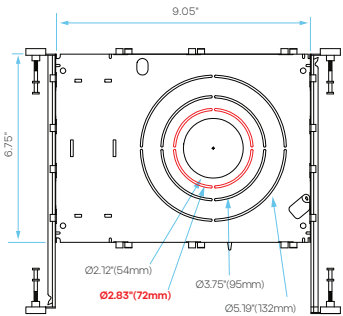


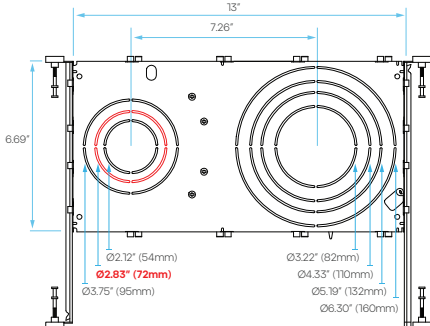
PLATE COMPATIBILITY*

*SOLD SEPARATELY

LR41004
KNOCKOUT
1



LR41010
KNOCKOUT
L1



LR23216 LED6W/DL3/FGB/5CCT/RD



APERTURE	3"
DISTRIBUTION	GIMBAL
APPLICATION	NEW CONSTRUCTION/REMODEL

ELECTRICAL

POWER	8W
INPUT VOLTS	120V
INPUT CURRENT	66mA
FREQUENCY	60Hz
DIMMING TYPE	TRIAC
DIMMING RANGE	10-100%
FEED WIRE GAUGE	22AWG
BREAKER SPECIFICATION (15A @120V)	149pcs*

*Mathematically estimated value. Actual capacity may vary by breaker type and installation environment.

PHOTOMETRIC

COLOR CCT	2700K/3000K/3500K/4000K/5000K
CRI	90
LUMEN	700lm
EFFICACY	88lm/w
BEAM ANGLE	38°

CERTIFICATIONS & SAFETY

LR23216	ETL
DAMP LOCATION	YES
IC RATED	YES
AIR TIGHT	YES
OPERATING TEMP.	-4°F to 104°F
COST/YR	\$ 0.96
WARRANTY	5 YR

MATERIAL & APPLICATION

HOUSING	ALUMINUM
LENS	PC
CUTOUT	Ø3.5"
MOUNTING TYPE	RECESSED
SWIVEL ANGLE	90°
AREA OF APPLICATION	RESIDENTIAL, COMMERCIAL
CEILING TYPE	DRYWALL, WOOD

DRIVER

	POWER	INPUT VOLTS	INPUT CURRENT	FREQUENCY	INPUT POWER	OUTPUT VOLTAGE	DIMENSIONS	KNOCKOUTS
INCLUDED DRIVER	8W	120V	66mA	60Hz	5W max	36V DC	3.85"L X 2.32"W X 1.53"H	2

MODEL	DESCRIPTION	EM POWER	INPUT VOLTS	INPUT CURRENT	FREQUENCY	INPUT POWER	OUTPUT VOLTAGE	RECHARGE TIME	EMERGENCY TIME
LR35126**	LED/EMR/15W/AC/SF/E	15	100-347V	100mA	50/60Hz	12W max	170V DC	24HR	90MINS

*AMBIENT TEMPERATURE: 41°F ~ 122°F
**SOLD SEPARATELY

DIMENSIONS

CUTOUT: Ø3.5"

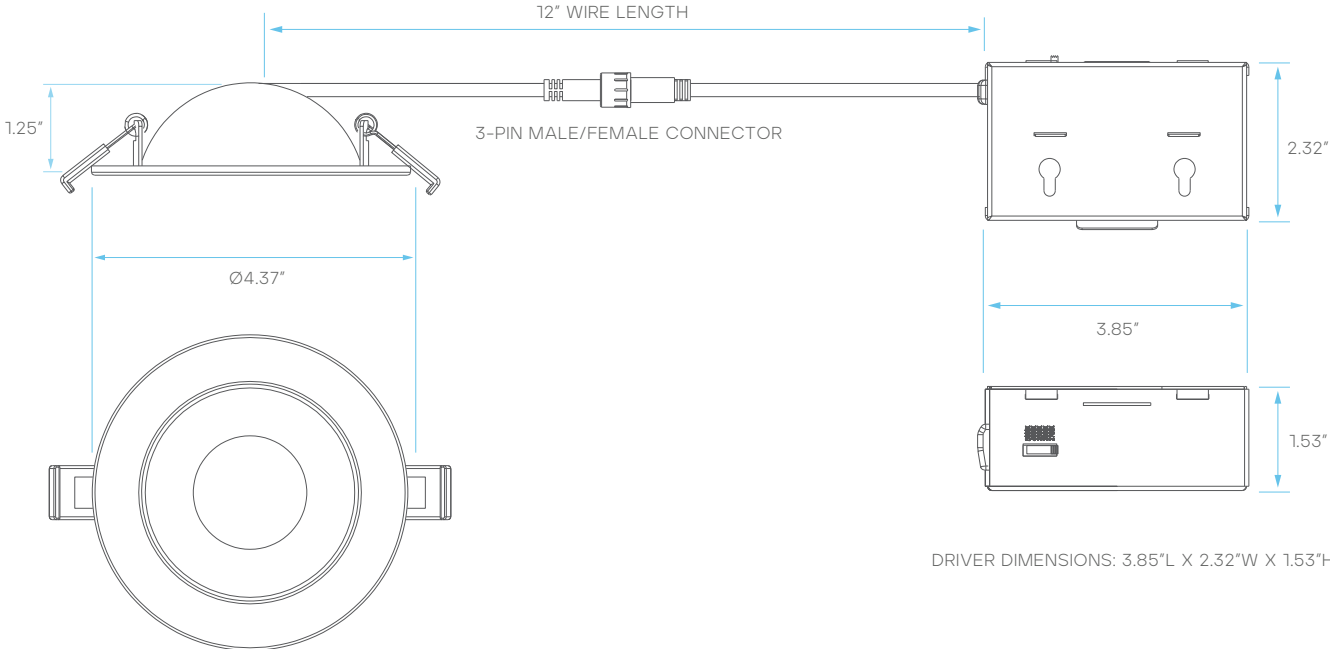
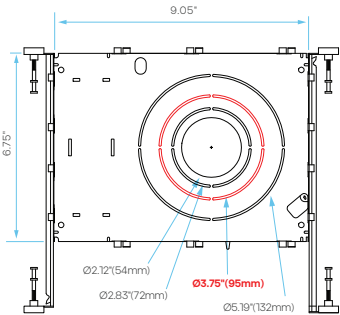


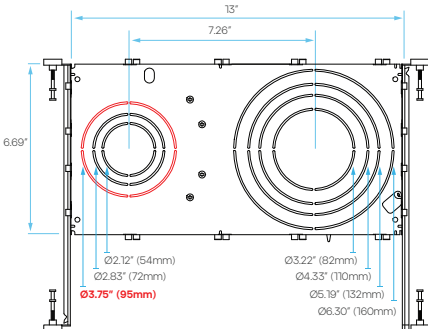
PLATE COMPATIBILITY*

*SOLD SEPARATELY

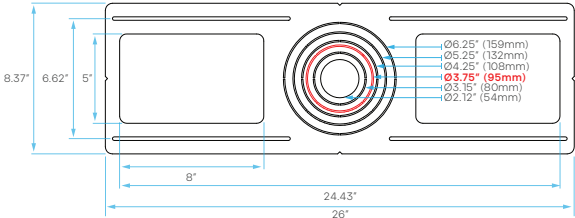
LR41004
KNOCKOUT
2



LR41010
KNOCKOUT
L2



LR41006
KNOCKOUT
2



LR23217 LED12W/DL4/FGB/5CCT/RD



APERTURE	4"
DISTRIBUTION	GIMBAL
APPLICATION	NEW CONSTRUCTION/REMODEL

ELECTRICAL

POWER	12W
INPUT VOLTS	120V
INPUT CURRENT	100mA
FREQUENCY	60Hz
DIMMING TYPE	TRIAC
DIMMING RANGE	10-100%
FEED WIRE GAUGE	22AWG
BREAKER SPECIFICATION (15A @120V)	99pcs*

*Mathematically estimated value. Actual capacity may vary by breaker type and installation environment.

PHOTOMETRIC

COLOR CCT	2700K/3000K/3500K/4000K/5000K
CRI	90
LUMEN	1000lm
EFFICACY	83lm/w
BEAM ANGLE	38°

CERTIFICATIONS & SAFETY

LR23217	ETL
DAMP LOCATION	YES
IC RATED	YES
AIR TIGHT	YES
OPERATING TEMP.	-4°F to 104°F
COST/YR	\$ 1.44
WARRANTY	5 YR

MATERIAL & APPLICATION

HOUSING	ALUMINUM
LENS	PC
CUTOUT	Ø4.25"
MOUNTING TYPE	RECESSED
SWIVEL ANGLE	90°
AREA OF APPLICATION	RESIDENTIAL, COMMERCIAL
CEILING TYPE	DRYWALL, WOOD

DRIVER

	POWER	INPUT VOLTS	INPUT CURRENT	FREQUENCY	INPUT POWER	OUTPUT VOLTAGE	DIMENSIONS	KNOCKOUTS
INCLUDED DRIVER	12W	120V	100mA	60Hz	12W max	36V DC	4.17"L X 3.54"W X 1.29"H	2

MODEL	DESCRIPTION	EM POWER	INPUT VOLTS	INPUT CURRENT	FREQUENCY	INPUT POWER	OUTPUT VOLTAGE	RECHARGE TIME	EMERGENCY TIME
LR35126**	LED/EMR/15W/AC/SF/E	15	100-347V	100mA	50/60Hz	12W max	170V DC	24HR	90MINS

*AMBIENT TEMPERATURE: 41°F ~ 122°F
**SOLD SEPARATELY

DIMENSIONS

CUTOUT: Ø4.25"

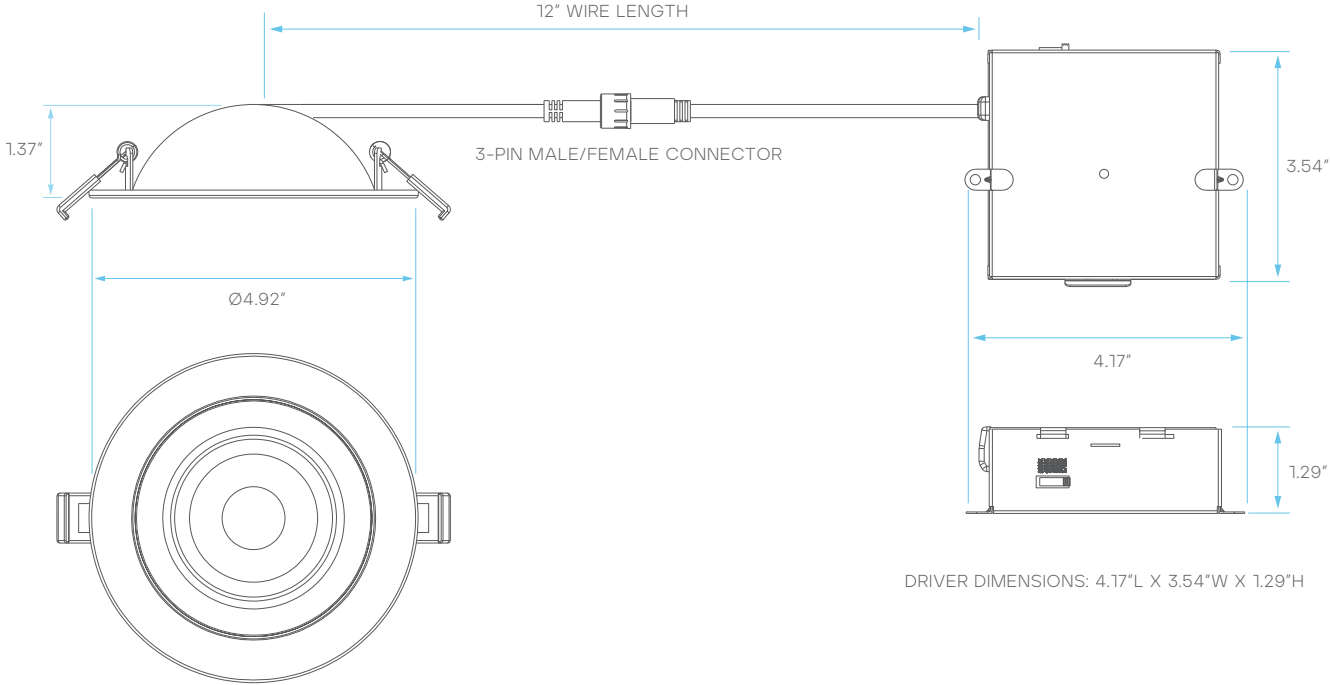
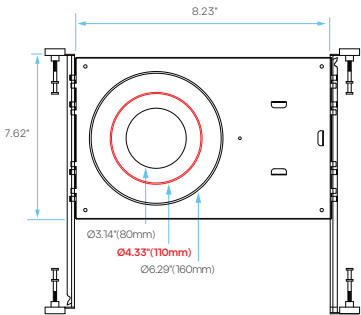


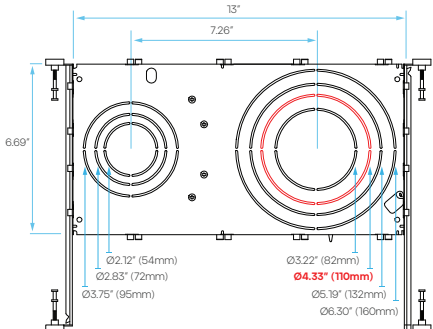
PLATE COMPATIBILITY*

*SOLD SEPARATELY

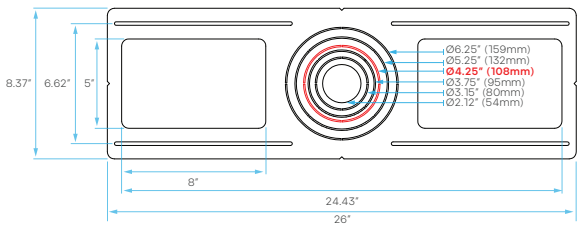
LR41002
KNOCKOUT
1



LR41010
KNOCKOUT
R1



LR41006
KNOCKOUT
3



LR23218 LED15W/DL6/FGB/5CCT/RD



APERTURE	6"
DISTRIBUTION	GIMBAL
APPLICATION	NEW CONSTRUCTION/REMODEL

ELECTRICAL

POWER	15W
INPUT VOLTS	120V
INPUT CURRENT	125mA
FREQUENCY	60Hz
DIMMING TYPE	TRIAC
DIMMING RANGE	10-100%
FEED WIRE GAUGE	22AWG
BREAKER SPECIFICATION (15A @120V)	79pcs*

*Mathematically estimated value. Actual capacity may vary by breaker type and installation environment.

PHOTOMETRIC

COLOR CCT	2700K/3000K/3500K/4000K/5000K
CRI	90
LUMEN	1100lm
EFFICACY	73lm/w
BEAM ANGLE	38°

CERTIFICATIONS & SAFETY

LR23215	ETL
DAMP LOCATION	YES
IC RATED	YES
AIR TIGHT	YES
OPERATING TEMP.	-4°F to 104°F
COST/YR	\$ 1.80
WARRANTY	5 YR

MATERIAL & APPLICATION

HOUSING	ALUMINUM
LENS	PC
CUTOUT	Ø5.70"
MOUNTING TYPE	RECESSED
SWIVEL ANGLE	90°
AREA OF APPLICATION	RESIDENTIAL, COMMERCIAL
CEILING TYPE	DRYWALL, WOOD

DRIVER

	POWER	INPUT VOLTS	INPUT CURRENT	FREQUENCY	INPUT POWER	OUTPUT VOLTAGE	DIMENSIONS	KNOCKOUTS
INCLUDED DRIVER	15W	120V	125mA	60Hz	15W max	36V DC	5.43"L X 3.03"W X 1.33"H	2

MODEL	DESCRIPTION	EM POWER	INPUT VOLTS	INPUT CURRENT	FREQUENCY	INPUT POWER	OUTPUT VOLTAGE	RECHARGE TIME	EMERGENCY TIME
LR35126**	LED/EMR/15W/AC/SF/E	15	100-347V	100mA	50/60Hz	12W max	170V DC	24HR	90MINS

*AMBIENT TEMPERATURE: 41°F ~ 122°F
**SOLD SEPARATELY

DIMENSIONS

CUTOUT: Ø5.70"

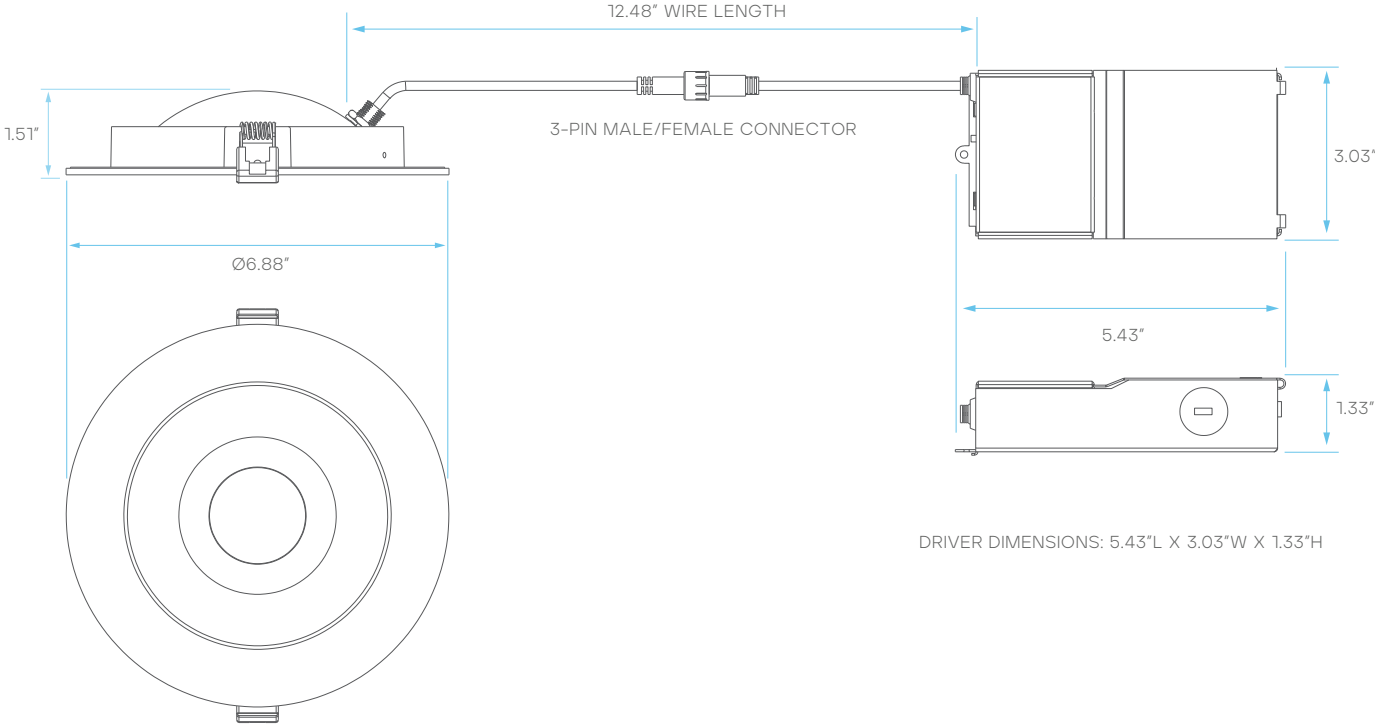
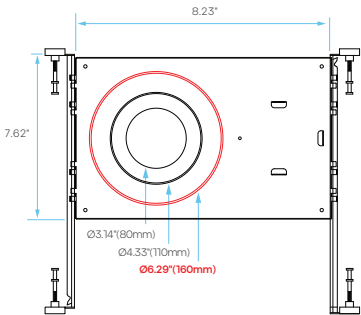


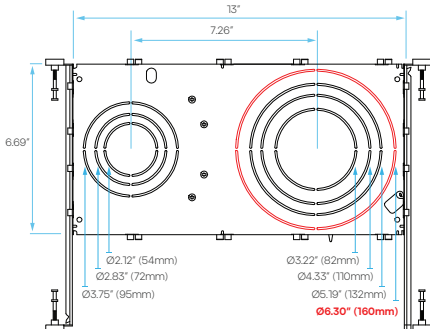
PLATE COMPATIBILITY*

*SOLD SEPARATELY

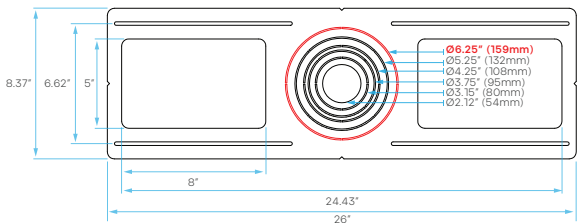
LR41002
KNOCKOUT
2



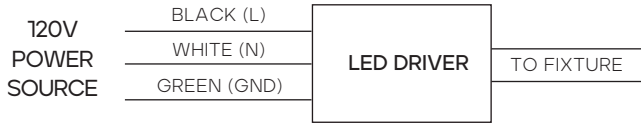
LR41010
KNOCKOUT
R3



LR41006
KNOCKOUT
5



WIRING DIAGRAM



SUGGESTED COMPATIBLE DIMMER*

LUTRON	CTCL-153P
	DVCL-153PDH
	DVCL-153P
LEVITON	6672
	6674
PASS & SEYMOUR	HCL453PTCCCV6

*Dimmer performance may vary based on load, wiring, and installation conditions. Inclusion on this chart does not guarantee compatibility for every installation, and omission does not indicate incompatibility. Refer to the dimmer manufacturer's installation instructions and verify minimum load requirements to avoid field issues.

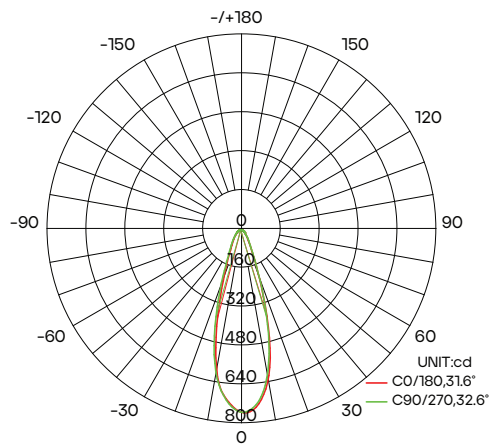
PACKAGING

MODEL	STYLE	INNER BOX DIMENSIONS	MASTER CARTON DIMENSIONS	CASE
LR23215	INNER BOX + MASTER CARTON	5.11" X 5.11" X 2.75"	15.95" X 10.83" X 9.25"	18
LR23216	INNER BOX + MASTER CARTON	4.92" X 4.92" X 3.34"	15.35" X 10.43" X 11.02"	18
LR23217	INNER BOX + MASTER CARTON	5.31" X 5.31" X 3.14"	16.54" X 11.02" X 10.43"	18
LR23218	INNER BOX + MASTER CARTON	7.08" X 7.40" X 3.14"	21.85" X 14.76" X 10.43"	18

LuxiFlow™ PHOTOMETRICS

Luxrite® Luxiflow® tool is for informational purposes only, it is not intended to provide lighting or electrical advise.

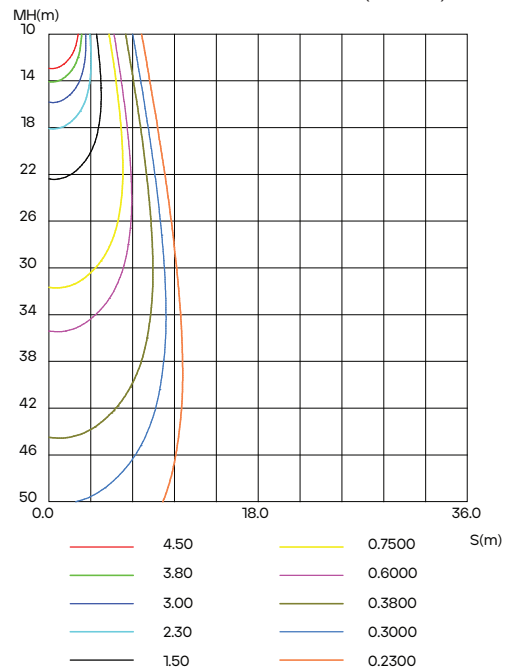
LUMINOUS INTENSITY DISTRIBUTION DIAGRAM



AVERAGE BEAM ANGLE(50%): 32.1 DEG

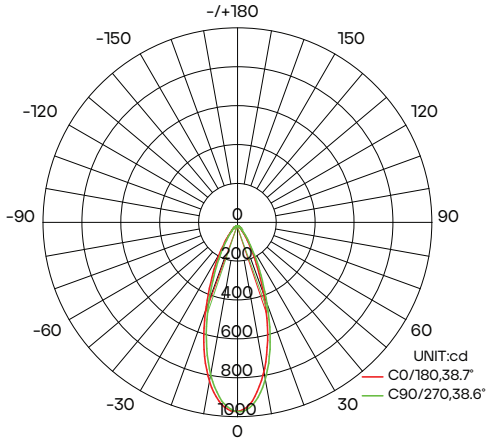
*DIAGRAM SHOWING LR23215 AT 2700K

C0 PLANE ISOLUX DIAGRAM (UNIT:lx)



Luxrite® Luxiflow® tool is for informational purposes only, it is not intended to provide lighting or electrical advise.

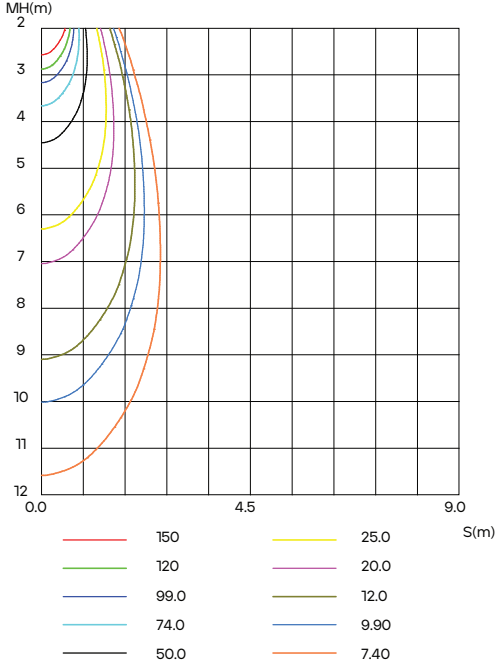
LUMINOUS INTENSITY DISTRIBUTION DIAGRAM



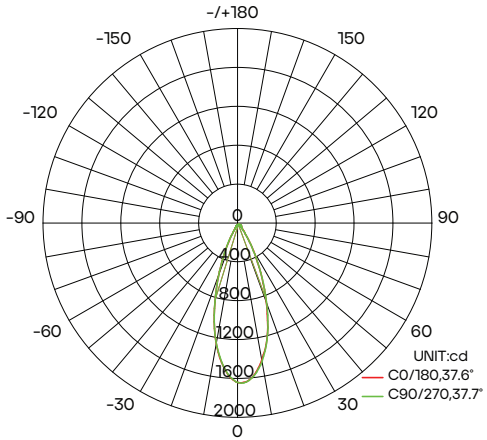
AVERAGE BEAM ANGLE(50%): 38.6 DEG

*DIAGRAM SHOWING LR23216 AT 2700K

C0 PLANE ISOLUX DIAGRAM (UNIT:lx)



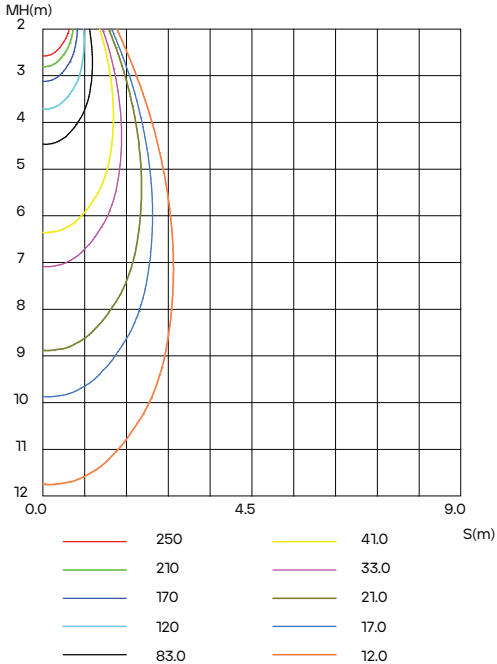
LUMINOUS INTENSITY DISTRIBUTION DIAGRAM



AVERAGE BEAM ANGLE(50%): 37.7 DEG

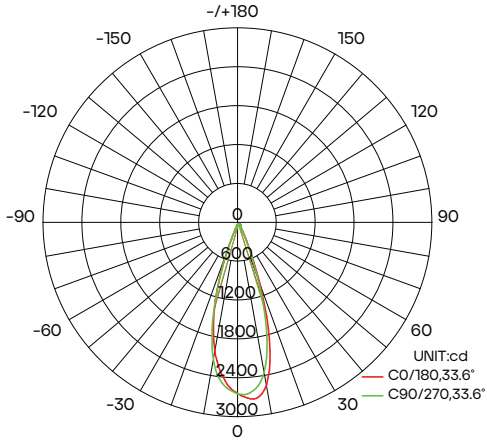
*DIAGRAM SHOWING LR23217 AT 2700K

C0 PLANE ISOLUX DIAGRAM (UNIT:lx)



Luxrite® Luxiflow® tool is for informational purposes only, it is not intended to provide lighting or electrical advice.

LUMINOUS INTENSITY DISTRIBUTION DIAGRAM



AVERAGE BEAM ANGLE(50%): 33.6 DEG

*DIAGRAM SHOWING LR23218 AT 2700K

C0 PLANE ISOLUX DIAGRAM (UNIT:lx)

