

JWP-R SERIES

CCT & POWER SELECTABLE

VANDAL/IMPACT RESISTANT

ROTATING WALL PACK



PRODUCT DESCRIPTION

The Jademar JWP-R Series of rotating wall packs angle the light exactly where you need it, eliminating the guess work of which lighting fixture to buy. This fixture allows for the light to easily rotate and pushes it away from the wall, pulls the light downward, or finds the perfect balance of light distribution between the two.

The JWP-R Series has an efficacy of 135 lm/W, and is available in multiple color temperatures ranging from 3000K to 5000K. The long lasting life and IP65 rating make this wall pack an excellent choice for multiple applications.

STANDARD FEATURES

Construction and Materials

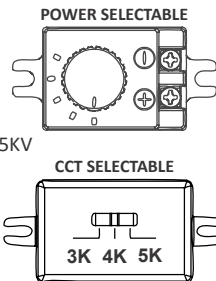
- Vandal Resistant Die Cast Aluminum Alloy with Epoxy Powder Coat Finish in Dark Bronze and Glare Reduction Polycarbonate Lens

Optical System

- Adjustable Optics - Set at 60° Optics

Electrical System

- Power Selectable: 40W (40W/30W/25W) 80W (80W/60W/40W)
- CCT Selectable: 3000K/4000K/5000K
- Input Voltage: 120-277VAC
- Efficacy: 135 lm/W on average
- Power Factor: >0.9
- CRI: >70
- Operating Temp: -40°C to 45°C (-40°F to 113°F)
- Total Harmonic Distortion: <20%
- Integral Surge Protection: L-N:2.5KV, L/N-GND:2.5KV



Dimming and Controls

- 0-10V Continuous Dimming Standard

Certifications and Compliance

- UL Listed
- Ingress Protection: IP65 for Wet Locations
- RoHS compliant
- Meets FCC Part 15, Subpart B, Class A limits for conducted and radiated Emissions
- Life me Based on TM21:** L70 ≥ 167,000 Hrs / L80 ≥ 142,000 Hrs / L90 ≥ 116,000 Hrs

OPTIONAL FEATURES

- Pencil type Photocell
- Bi-Level Occupancy/Motion Sensor
- PIR Control
- Auxiliary Output 12V
- 20KV Surge Protection
- Network Lighting Control Systems: Synapse, Casambi or Silvar

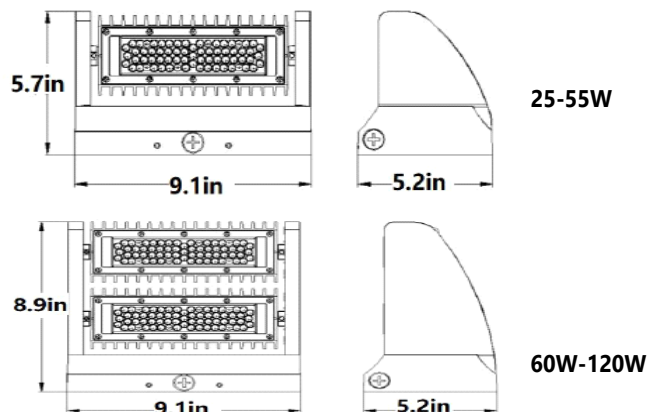
APPLICATION

- Entrance and Courtyard Lighting
- Industrial and Outdoor Landscape Lighting
- Office Buildings and Hotels

PERFORMANCE SUMMARY

Primary Input Power	Selectable: 40W / 30W / 25W 80W / 60W / 40W Static : 120W / 80W / 40W
Efficacy:	135 lm/W on average
Input Voltage and Frequency	120-277VAC, 50/60Hz
CCT	Selectable: 3000K / 4000K / 5000K Static : 5000K
CRI	>70
Power Factor	>0.9
Ambient Working Temp.	-20°C to +45°C (-4°F to +113°F)
Ingress Protection	IP65
Dimming & Controls	Standard: 0-10V Dimming Optional: Pencil type Photocell / Motion Sensor / PIR Sensor and Network Lighting Control Systems
Construction	Die Cast Aluminum Alloy with Epoxy Powder Coat Finish and Vandal Resistant Glare Reduction Polycarbonate Lens
Lifetime Based on TM21:	L70 @ ≥ 167,000 Hrs L80 @ ≥ 142,000 Hrs L90 @ ≥ 116,000 Hrs
Certifications & Compliance	UL Listed
Limited Warranty:	5 Years

PRODUCT DIMENSIONS



Quotations: quotes@jademar.com
To place an order: orders@jademar.com
Tel: (305) 640.0465 | Fax: (305) 640.0468
WWW.JADEMAR.COM



PROJECT NAME:	
MODEL NUMBER:	
DATE:	

JWP-R SERIES CCT & POWER SELECTABLE VANDAL/IMPACT RESISTANT ROTATING WALL PACK

ORDERING INFORMATION / EXAMPLE: **JWP-R-40W-PS-60D-BMWO-BZ**

JWP-R		60D				
Product Series	Wattage	Light Angle Distribution	Input Voltage	CCT	CRI	Dimming
JWP-R	40W-PS Selectable (40W/30W/25W) 80W-PS Selectable (80W/60W/40W)	60D 60°	Blank 120-277VAC	Blank Selectable CCT 3000K/4000K/5000K 50K 5000K	Blank 70 CRI	Blank 1-10V Dimming (Standard)
	40W 40 Watts 80W 80 Watts 120W 120 Watts					

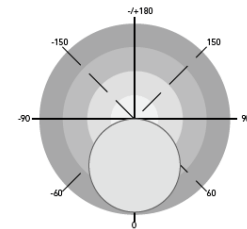
Control Options	Housing Color

- PC** Pencil type photocell
- BMWO** Factory standard setting for this sensor options with this luminaire is: 50% dim, 20 minutes delay –Never turn off.” (Must be combined with photocell or daylight sensor for luminaire to turn of when sun rises) For different factory settings, description must be noted on the order
- PIR** Factory standard setting for this sensor options with this luminaire is: 50% dim, 20 minutes delay –Never turn off.” (Must be combined with photocell or daylight sensor for luminaire to turn of when sun rises) For different factory settings, description must be noted on the order
- SYNC-NLC** Synapse DLC Listed Wireless Lighting Control System
- CB-NLC** CASAMBI Bluetooth Lighting Control System
- SR-NLC** Silvaire BLE Mesh Network Bluetooth Lighting

- BZ** Bronze
- CC** Custom Color*
- *Special order features may cost more and may come extend lead times.*

FIELD INSTALLED OPTIONS

BLD-HM08D	8W Emergency Backup Battery Driver 100-347Vac, Output Voltage 170VDC, INLINE, it powers the driver
JEMA-SD-15W-347VAC	15W emergency battery backup, 100-347V in-put, 170VDC out-put – In-line/powers the drivers
JEMA-SD-20W-347VAC	20W emergency battery backup, 100-347V in-put, 170VDC out-put – In-line/powers the drivers



PHOTOMETRY FOR GENERAL LIGHTING

LUMEN PERFORMANCE & ELECTRICAL DATA

Product Number+A1:S20A1:SA1:	JWP-R-CS-40W-PS									JWP-R-CS-80W-PS																	
Weight & Dimensions	5.7" x 9.1" x 5.2" 7lbs									8.9" x 9.1" x 5.2" 9lbs																	
Nominal Watts	40W			30W			25W			80W			60W			40W											
CCT	3000K	4000K	5000K	3000K	4000K	5000K	3000K	4000K	5000K	3000K	4000K	5000K	3000K	4000K	5000K	3000K	4000K	5000K									
Lumen Output (lm)	5962	5664	5947	4472	4248	4460	3726	3540	3717	10855	10964	11074	4206	4248	4330	3505	3540	3608									
Efficacy (lm/W)	149	142	149	149	142	149	149	142	149	136	137	138	140	142	144	140	142	144									
Product Number	JWP-R-40W						JWP-R-80W			JWP-R-120W																	
Maximum Dimensions	5.7" x 9.1" x 5.2" 7lbs						8.9" x 9.1" x 5.2" 9lbs			8.9" x 9.1" x 5.2" 9lbs																	
Nominal Watts	40W						80W			120W																	
Nominal Efficacy	3000K			4000K			5000K			3000K			4000K			5000K											
Lumen Output (lm)	5962			5664			5947			10855			10964			11149			15423			16194			16527		
Input Voltage	149			142			149			136			137			139			193			202			207		
CRI	>70																										
THD @ 120VAC	<20%																										
Power Factor	>0.90																										
Ingress Protection	IP65 Rated																										
CCT	3000K / 4000K / 5000K																										
Construction	Die Cast Aluminum Alloy (Black or Brown Finish)																										
Beam Angle / Field Angle	60-Degree																										
Lifetime based on TM21	L70 @ 167,000 Hrs. / L80 @ 142,000 Hrs. / L90 @ 116,000 Hrs.																										
Ambient Working Temp	-20°C to +45°C (-4°F ~ +113°F)																										
Certifications	cULus Rated																										
Limited Warranty	5 Years																										

