

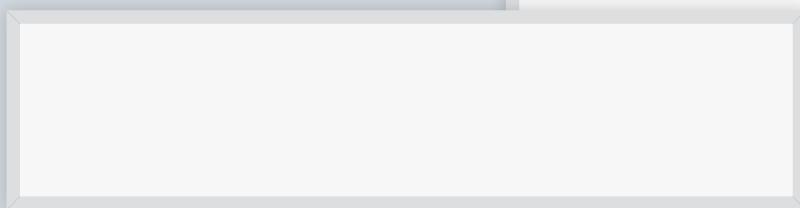
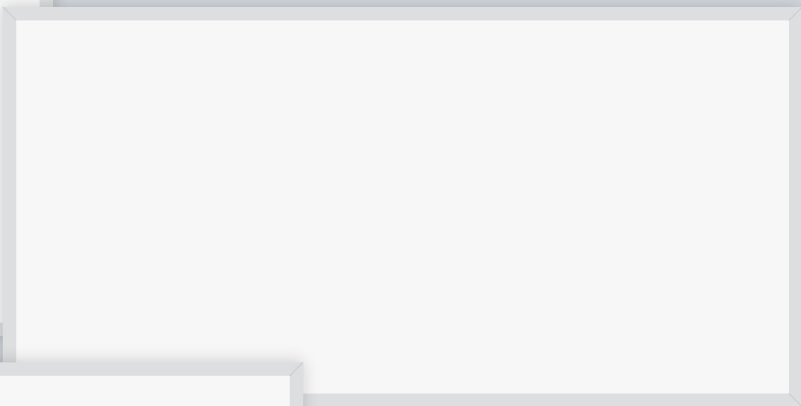
LED LAY IN BACKLIT FLAT PANEL - 5CCT & 5WATTAGE SELECTABLE 1X4', 2X2', 2X4' - SENSOR READY



2X2' 20W 25W 30W 35W 40W



2X4' 20W 25W 30W 40W 50W



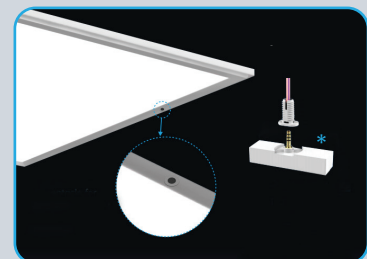
1X4' 20W 25W 30W 35W 40W

EMERGENCY OPTION
ALSO AVAILABLE

LR24240+EM
LR24243+EM
LR24245+EM



SENSOR* READY



*SENSOR SOLD SEPARATELY

CRI
80

COLOR SELECTABLE

3000K 3500K 4000K 5000K 6500K

WATTAGE
SELECTABLE

5 OPTIONS

DIMMABLE

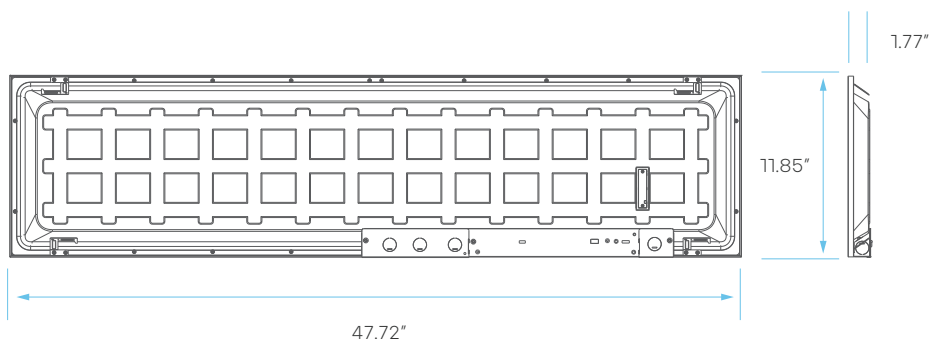
0-10V

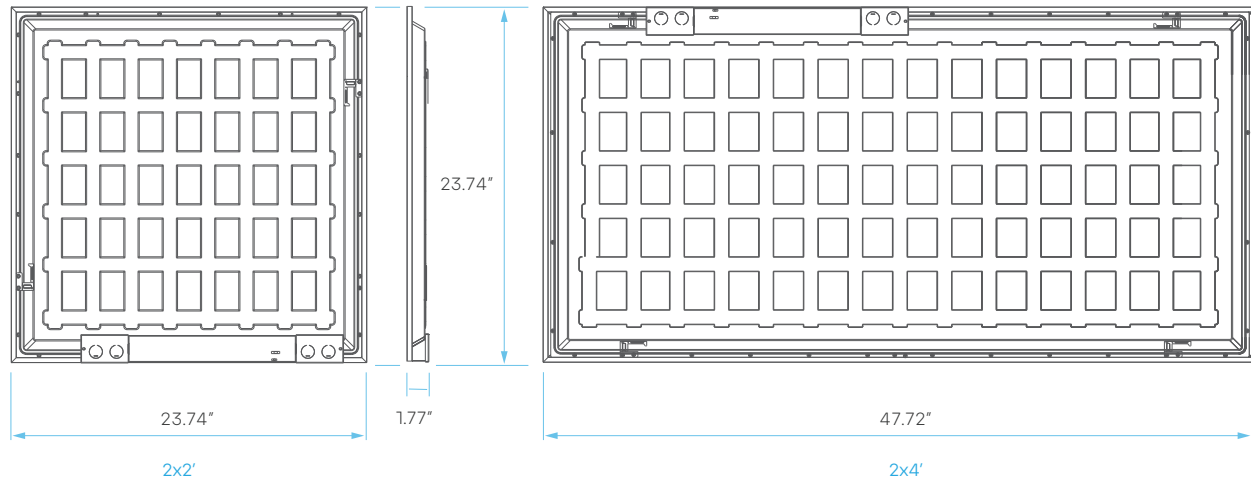


*OPTION
AVAILABLE



1x4'





ELECTRICAL

	MODEL	DESCRIPTION	POWER	LUMEN	INPUT VOLTS	EFFICACY	LIFETIME	COST/YR	EMERGENCY TIME
2X2	LR24240	LED2X2BPNL/5WO/5CCT/D/SR	20	2500	120-277V	125	50,000	\$ 4.81	
			25	3125					
			30	3750					
			35	4375					
			40	5000					
	LR24240+EM	LED2X2BPNL/5WO/5CCT/D/SR+EM	20	2500	120-277V	125	50,000	\$ 4.81	90 MINS
			25	3125					
			30	3750					
			35	4375					
			40	5000					
2X4	LR24243	LED2X4BPNL/5WO/5CCT/D/SR	20	2500	120-277V	125	50,000	\$ 6.02	
			25	3125					
			30	3750					
			40	5000					
			50	6250					
	LR24243+EM	LED2X4BPNL/5WO/5CCT/D/SR+EM	20	2500	120-277V	125	50,000	\$ 6.02	90 MINS
			25	3125					
			30	3750					
			40	5000					
			50	6250					
1X4	LR24245	LED1X4BPNL/5WO/5CCT/D/SR	20	2500	120-277V	125	50,000	\$ 4.81	
			25	3125					
			30	3750					
			35	4375					
			40	5000					
	LR24245+EM	LED1X4BPNL/5WO/5CCT/D/SR+EM	20	2500	120-277V	125	50,000	\$ 4.81	90 MINS
			25	3125					
			30	3750					
			35	4375					
			40	5000					

SENSOR COMPATIBILITY

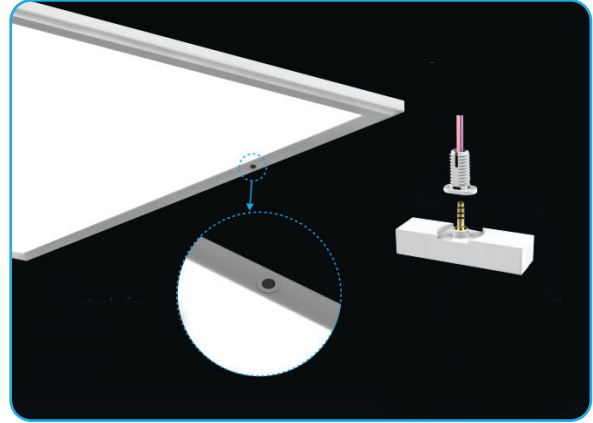
LR24248
AUDIO JACK
SMART SENSOR



LR24247
AUDIO JACK
STANDARD SENSOR



LR25189
MW BI-LEVEL
REMOTE



MOTION SENSOR INSTALLATION

MOTION SENSOR - SPECIFICATIONS

MODEL	DESCRIPTION	POWER	INPUT VOLTS	DIMMING	INSTALL HEIGHT	DETECTION RANGE	DETECTION ANGLE
LR24247	LEDSNS/BPNL/MW/BILEVEL/IP	<0.3W	12V	0-10V	13.12FT	9FT	30-150°
LR24248	LEDSNS/BPNL/MW/BILEVEL/SMART/IP	<0.3W	12V	0-10V	13.12FT	9FT	30-150°

AMBIENT TEMPERATURE: -13°F ~ 140°F

SENSOR PARAMETER	PARAMETER	VALUE
	Detection Area	25%/50%/75%/100%
	Holdtime	Remote control Options : 5s/ 30s/ 1min/ 3min/ 5min/ 10min/ 20min/ 30min APP Control Options : 5s/ 30s/ 1min/ 2min/ 3min/ 5min/ 10min/ 15min/ 20min/ 25min/30min/ 45min/ 60min/ 90min/ 120min
	Daylight Threshold	Disable/400Lux/350Lux/300Lux/250Lux/200Lux/120Lux/ 80Lux/50Lux/30Lux/10Lux/2Lux
	Standby Dimming Level	10%/20%/30%/50%
	Standby Period	Remote control Options : 0s/ 10s/ 30s/ 1min/ 5min/ 10min/ 30min/ 60min/+∞ APP Control Options : 0s/5s/30s/1min/2min/3min/5min/10min/15min/20min/ 25min/30min/45min/60min/+∞
	Dusk/Dawn Sensing/ Photocell	Daylight threshold as 30lux/ 50lux/ 80lux/ 120lux/ 200Lux/ 250Lux/300Lux/ 350Lux/ 400Lux Standby period as +∞ ; Standby dimming level as 10%/20%/30%
	Daylight Harvesting	1. Adjust "daylight" value higher than 50lux 2. Preset "standby period" 0S 3. Press MW/PIR button 3 times till MW/PIR icons both blinking on LCD screen, daylight harvesting function enabled. (With BLE version, press DH button, daylight harvesting function enabled.)