

# KT-EX-TP2-WH3RL-SD

## EXIT SIGN

### INSTALLATION INSTRUCTIONS

**PLEASE FIND A QUALIFIED ELECTRICIAN FOR INSTALLATION. Please read the instructions before you install and use the fixture.**

#### SAFETY AND ELECTRICAL PARAMETERS

**WARNING:** RISK OF ELECTRIC SHOCK-NEVER CONNECT TO, DISCONNECT FROM, OR SERVICE WHILE EQUIPMENT IS ENERGIZE.

**WARNING:** FAILURE TO FOLLOW THESE INSTRUCTIONS AND WARNINGS MAY RESULT IN DEATH, SERIOUS INJURY OR SIGNIFICANT PROPERTY DAMAGE - For your protection, read and follow these warnings and instructions carefully before installing or maintaining this equipment.

- All service shall be performed by qualified service personnel. This product must be installed and maintained in accordance with the applicable installation codes by a person familiar with the construction operation of the product and the hazards involved.
- This product must be installed in accordance with the applicable installation codes and ordinances
- Before wiring to power supply, turn off electricity at fuse or circuit breaker.
- Disconnect A.C. power and unplug battery before servicing.
- Consult your local building code for approved wiring and installation.
- May be used outdoors under cover. (0°C/32°F to 40°C/104°F)
- Do not let power supply cord touch hot surfaces.
- Do not mount near gas or electric heater.
- Equipment should be mounted in locations and at heights where it will not readily be subjected to tampering by unauthorized personnel.
- The use of accessory equipment not recommended by manufacturer may cause an unsafe condition.
- Do not use this equipment for other than intended use.
- The AC voltage rating of this equipment is specified on the product label. Do not connect equipment to any other voltage.

#### CAUTION:

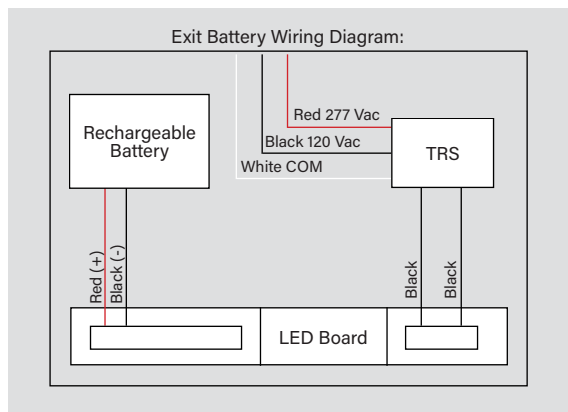
- The battery in this unit may not be fully charged. After electricity is connected to unit, let battery charge for at least 24 hours, then normal operation of this unit should take effect.

#### IMPORTANT CODE COMPLIANCE INFORMATION:

In accordance with NFPA 101 (current Life Safety Code), documented testing of your emergency lighting system must be tested monthly for a minimum of 30 seconds and annually for 90 minutes. Refer to your local codes for any additional requirements that may apply.

#### WIRING DIAGRAM

##### GENERAL WIRING DIAGRAM



#### COMPONENTS INCLUDED IN KIT

Part
1x LED Exit Sign Housing
2x EXIT Sign Facing
1x Solid Back Facing
2x Red Diffuser
2x Waterproof Clear Lens
1x Waterproof Foam Pad
1x Waterproof Foam Ring
1x Rechargeable Battery
1x Canopy for Top & Side Mounting
1x Junction Box Mounting Plate
1x Assembly Hardware & Connection Accessory Kit

**Caution:** Before installing, ensure that AC power to the fixture is off.

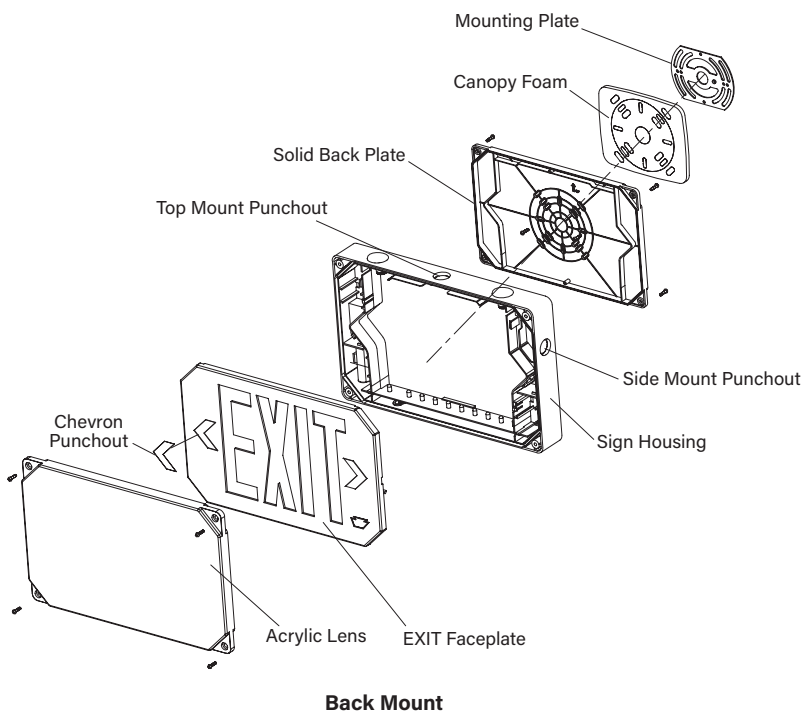
**Caution:** The electrical rating of this product is 120/277V. Installer must confirm that there is 120/277V at the fixture before installation.



## INSTALLATION INSTRUCTIONS

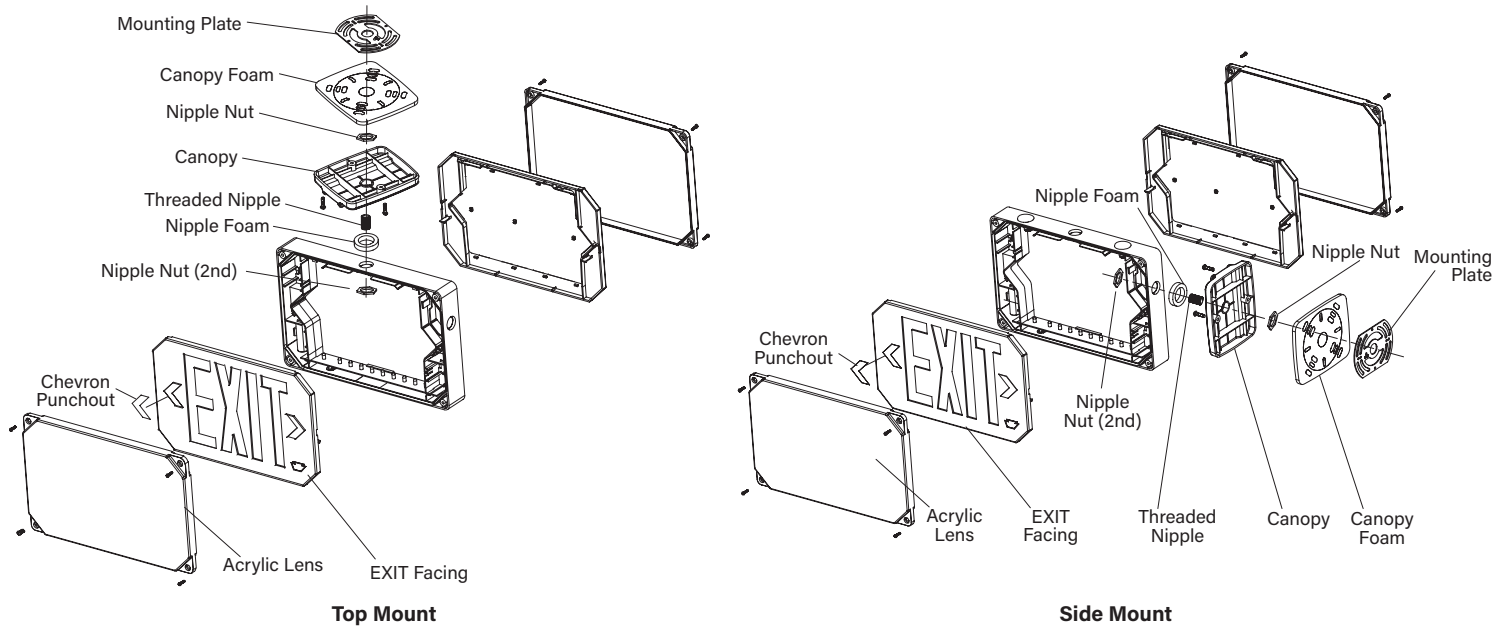
### BACK MOUNT

1. Use flat head screwdriver to loosen the screws on the lens.
2. Remove lens from sign, set aside.
3. Remove EXIT faceplate from housing, set aside. The second EXIT faceplate will not be used.
4. Drill or knock out appropriate punchouts on back plate to fit junction box mounting points.
5. Drill or knock out center hole in back plate for EXIT sign input wires.
6. Remove backing from self adhesive junction box gasket (Canopy Foam) and adhere to back plate exterior.
7. Route EXIT sign input wires through center hole of the back plate and make wiring connection. For 120V, use black and white wires and for 277V, use red and white wires. **WARNING:** Properly insulate the unused lead with a wire nut (provided) or other approved means.
8. Push wire connections into the junction box. Secure mounting plate to junction box (hardware not included). Secure back plate to mounting plate.
10. Connect battery to LED board
11. Remove chevron(s) as required. When removing chevrons it may be helpful to remove the color diffuser panel to allow easier access to the chevrons. If removing color diffuser panel it is important to remember to reinstall the diffuser panel once chevron(s) have been removed.
12. Secure EXIT faceplate to the housing
13. Secure lens to faceplate and securely tighten screws.
14. Apply continuous AC power and press "TEST" button to check operation.



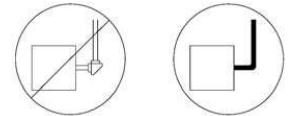
### TOP OR SIDE MOUNT

1. Use flat head screwdriver to loosen the screws on the lens.
2. Remove lens from sign, set aside.
3. Remove EXIT faceplate from housing, set aside. Drill a 3/4" hole through the desired mounting punchout located on the sign housing. For top mount, punchout will be located on the top of the housing. For side mount, punchout will be located on the side of the housing.
4. Using provided hardware, thread nut onto threaded nipple. Slide threaded nipple through canopy center hole.
5. Remove backing from self adhesive junction box gasket (Canopy Foam) and adhere to back of mounting canopy. Remove backing from self adhesive pipe thread gasket (Nipple Foam) and adhere to front of mounting canopy.
6. Place screws (provided) in holes on the canopy.
7. Route EXIT sign input wires through punchout in EXIT frame, threaded nipple and metal mounting plate.
8. Make wiring connection. For 120V, use black and white a wire and for 277V, use red and white wires. **WARNING:** Properly insulate the unused lead with a wire nut (provided) or other approved means.
9. Push wire connections into the junction box. Secure mounting plate to junction box (hardware not included).
10. Secure the canopy to the steel mounting plate with screws installed in step 6.
11. Place threaded nipple through the mounting hole of the housing to lock the canopy into place using second nipple nut. Once Canopy is locked into position there will not be any side-to-side movement of the canopy.
12. Connect battery to LED board.
13. Remove chevron(s) as required. When removing chevrons it may be helpful to remove the color diffuser panel to allow easier access to the chevrons. If removing color diffuser panel it is important to remember to reinstall the diffuser panel once chevron(s) have been removed.
14. Secure EXIT faceplate(s) to the housing. For double sided configuration, remove solid back plate and replace with second EXIT faceplate.
15. Secure lens to faceplate and securely tighten screws. For double sided configuration, secure second lens to second faceplate, as well.
16. Apply continuous AC power and press "TEST" button to check operation.



**CONDUIT ENTRY**

1. Drill a 3/4" through the desired conduit entry knock out located on the top or side of the frame of the sign.
2. Route the AC input conduit into housing.
3. All conduit connections must use UL LISTED and SUITABLE FOR WET LOCATION parts.
4. To finish installation of EXIT sign, reference Back, Top, or Side Mount instructions.



**FLEXIBLE CONDUIT ONLY!**

**OPERATION (BATTERY BACKUP)**

1. Apply AC power to the unit. The LED indicator will be RED.
2. After the battery has been left to charge for 24 hours, test the unit by pushing the switch. The LED Indicator turns OFF and the sign will remain illuminated.
3. When the switch is released, the LED indicator turns back to RED and the sign will remain illuminated.

**MAINTENANCE**

**CAUTION:** Always turn off AC power to the equipment before servicing. Servicing should be performed only by a qualified service technician. Use only MANUFACTURER supplied replacement parts.

**BATTERY:** The battery supplied requires no maintenance. However, it should be tested periodically and replaced when it no longer operates the connected sign for the duration of a 30 second or 90 minute test. The battery supplied in this sign has a typical life of 5 years when used in a normal ambient temperature of 72°F.