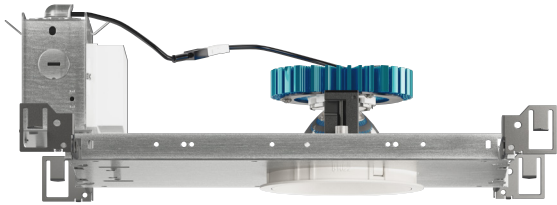


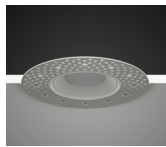
| PROJECT INFORMATION |  |      |
|---------------------|--|------|
| JOB NAME            |  | TYPE |
| ORDERING CODE       |  |      |

# NU4

## 4" Round Downlight Standard White



Trim



Trimless



Trimless Millwork

| 20° - 65° BEAM<br>(Note: Specifications are subject to change without notice) |  |                |
|---|--|----------------|
| 14mm COB PERFORMANCE DATA   |  |                |
| LED LIGHT ENGINE  | NOMINAL DELIVERED LUMENS                                       | SYSTEM WATTAGE |
| 10LM  | 990LM @30K/80CRI   | 9W             |
| 15LM  | 1485LM @30K/80CRI  | 12W            |
| 20LM  | 2095LM @30K/80CRI  | 17W            |
| 25LM  | 2540LM @30K/80CRI  | 21W            |
| 30LM  | 3090LM @30K/80CRI  | 26W            |
| 35LM  | 3580LM @30K/80CRI  | 31W            |
| 40LM  | 4180LM @30K/80CRI  | 37W            |
| 10LM  | 840LM @30K/90/CRI  | 9W             |
| 15LM  | 1260LM @30K/90/CRI   | 12W            |
| 20LM  | 1780LM @30K/90/CRI   | 17W            |
| 25LM  | 2160LM @30K/90/CRI   | 21W            |
| 30LM  | 2620LM @30K/90/CRI   | 26W            |
| 35LM  | 3040LM @30K/90/CRI   | 31W            |
| 40LM  | 3550LM @30K/90/CRI   | 37W            |
| Notes   | Delivered lumens based on 25D optic with no lens, (see page 2) |                |

| 12° BEAM<br>(Note: Specifications are subject to change without notice) |   |                |
|---|---|----------------|
| 10mm COB PERFORMANCE DATA   |   |                |
| LED LIGHT ENGINE  | NOMINAL DELIVERED LUMENS                                  | SYSTEM WATTAGE |
| 10LM  | 810LM @30K/80CRI  | 9W             |
| 15LM  | 1580LM @30K/80CRI   | 17W            |
| 20LM  | 2010LM @30K/80CRI   | 23W            |
| 10LM  | 690LM @30K/90CRI  | 9W             |
| 15LM  | 1340LM @30K/90CRI   | 17W            |
| 20LM  | 1710LM @30K/90CRI   | 23W            |
| Notes   | Delivered lumens based on 12D optic no lens, (see page 2) |                |

| 8° BEAM<br>(Note: Specifications are subject to change without notice) |  |                |
|--|--|----------------|
| 6mm COB PERFORMANCE DATA   |  |                |
| LED LIGHT ENGINE   | NOMINAL DELIVERED LUMENS                                 | SYSTEM WATTAGE |
| 10LM   | 790LM @30K/80CRI   | 12W            |
| 15LM   | 1250LM @30K/80CRI  | 20W            |
| 10LM   | 670LM @30K/90CRI   | 12W            |
| 15LM   | 1060LM @30K/90CRI  | 20W            |
| Notes  | Delivered lumens based on 8D optic no lens, (see page 2) |                |

### FEATURES

- 3/4" bezel regress with 1/16" micro flange
- 8° - 110° optical beam control
- UGR < 19
- Up to 110 LPW
- Glare control, specialty optics, trim options, and custom finishes available
- Microban® antimicrobial finish available on all exposed painted surfaces

### DIMMING AND CONTROLS

- eldoLED flicker free 0-10V dimming to 0% and 1%
- eldoLED flicker free DALI dimming to 0% and 1%
- DMX dim to zero
- Lutron Hi-lume 1% 3-wire/Ecosystem
- Lutron athena wireless node
- Leading & trailing edge (Triac/ELV) dimming to 1%
- Casambi dimming to 1.0%
- NLight control interface dimming to 0%

### CONSTRUCTION

- Lexan™ (PC) highly resistant to impact and heat (240°F)
- Optimal material for wireless signal connectivity
- Shatter proof acrylic bezel lens
- Electrocoated 16-gauge cold-rolled steel construction
- Accommodates ceiling thickness from 1/8" to 1-3/4"

### LED

- 90 CRI: SDCM = 2-step MacAdam Ellipse, Lumen Maintenance: L<sub>70</sub> > 66,000 hrs
- 80 CRI: SDCM = 2-step MacAdam Ellipse, Lumen Maintenance: L<sub>70</sub> > 66,000 hrs

### LISTING

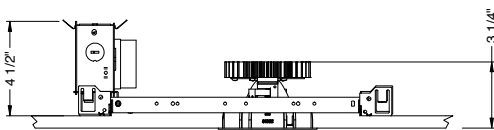
- ULus Listed to UL1598 & UL2108; cUL Listed to CSA C22.2 #250.0
- IP65 with lens - Suitable for wet locations with lens - Suitable for damp locations without lens
- Non-conductive, dead-front construction (shower approved)
- NSF/ANSI-2 with lens (Non-Food and Splash Zones)
- **Declare.** - LBC Red List Approved
- 5 Year Limited warranty

### ELECTRICAL

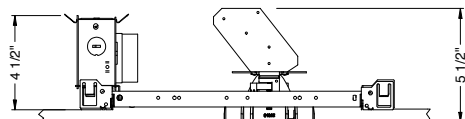
- 120V-277V, 120 only Triac / ELV
- Power factor ≥ 0.9
- 2kV driver input surge protection
- Remote and Integral (ITS) emergency test switch
- 7W, 10W (T20 CEC) and 12W EM 90min battery
- Max. ambient installation temperature 95°F (35°C)
- Low Voltage Luminaire option, see page 11.

### FIXTURE HEIGHT

#### 10LM - 30LM LOW LUMENS



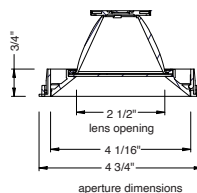
#### 35LM - 40LM HIGH LUMENS



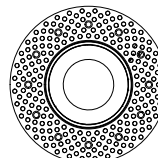
### TRIMMED



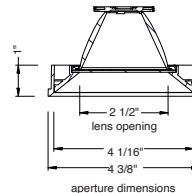
ceiling cutout  
4-3/8" diameter  
ceiling thickness  
1/8" to 1 5/8"



### TRIMLESS



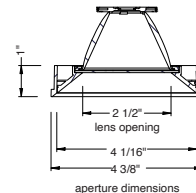
ceiling cutout  
4-1/2" diameter  
ceiling thickness  
3/8" to 1 3/4"



### MILLWORK



ceiling cutout  
4-3/8" diameter  
ceiling thickness  
1/2" to 1 3/4"



| PROJECT INFORMATION |  |      |
|---------------------|--|------|
| JOB NAME            |  | TYPE |
| ORDERING CODE       |  |      |

| ORDERING CODE  |                            |  |
|--|----------------------------|--|
| <b>SERIES</b>  | NU4                        | NU4  |
| <b>TYPE</b>  | RD<br>RDT<br>RDTMW         | round downlight<br>round downlight trimless<br>round downlight trimless millwork |
| <b>LED</b>   | SW                         | standard white   |
| <b>DELIVERED LUMENS</b>  | 10LM                       | 990 lm   |
|  | 15LM                       | 1485 lm  |
|  | 20LM                       | 2095 lm  |
|  | 25LM                       | 2540 lm  |
|  | 30LM                       | 3090 lm  |
|  | 35LM                       | 3580 lm  |
|  | 40LM                       | 4180 lm  |
| Standard Configuration: 3000K 80CRI 25D, NL<br>Calculated Delivered Lumens = [Delivered Lumen Value] x [CCT Multiplier] x [Reflector Multiplier] |                            |  |
| <b>CCT</b>   | 27K                        | 2700K  |
|  | 30K                        | 3000K  |
|  | 35K                        | 3500K  |
|  | 40K                        | 4000K  |
| <b>CRI</b>   | 80                         | 80 CRI   |
|  | 90                         | 90 CRI   |
| <b>OPTIC &amp; LM MULTIPLIER</b><br>SEE PAGE 5, 6  | 8D <sup>1</sup>            | 8 degrees (1.00)   |
|  | 12D <sup>1</sup>           | 12 degrees (1.00)  |
|  | 20D                        | 20 degrees (0.99)  |
|  | 25D                        | 25 degrees (1.00)  |
|  | 35D                        | 35 degrees (0.99)  |
|  | 50D                        | 50 degrees (0.99)  |
|  | 65D                        | 65 degrees (0.99)  |
| <b>BEZEL LENS</b><br>SEE PAGE 3  | NL <sup>2</sup>            | no lens (1.00)   |
|  | CL                         | clear lens (0.98)  |
|  | DL                         | diffused lens (0.91)   |
|  | E <sup>3</sup>             | elliptical beam spread (0.92)  |
|  | HCL <sup>4</sup>           | honeycomb louver (0.85)  |
|  | HET                        | high efficiency textured lens, similar to Solite™ (0.92)                         |
|  | SBL                        | smoothing beam lens (0.92)   |
| WDL  | wide diffused lens* (0.90) |  |
| *Wide diffusing lens achieves beams ≥ 90° see page 3   |                            |  |
| <b>TRIM COLOR</b><br>SEE PAGE 3  | BK                         | black  |
|  | WH                         | white  |
|  | MC                         | matte chrome   |
|  | BZ                         | bronze   |
|  | WT                         | wheat  |
|  | CC <sup>5</sup>            | custom color, consult factory for details  |
| Antimicrobial finish, add AM to black, white or matte chrome i.e. BKAM.  |                            |  |
| Not applicable to trimless option. Do not include in trimless ordering code.   |                            |  |
| <b>BEZEL COLOR</b><br>SEE PAGE 3   | BK                         | black (0.98)   |
|  | WH                         | white (1.00)   |
|  | MC                         | matte chrome (0.99)  |
|  | BZ                         | bronze (0.98)  |
|  | WT                         | wheat (0.99)   |
|  | CC <sup>5</sup>            | custom color, consult factory for details  |
| Antimicrobial finish, add AM to black, white or matte chrome i.e. BKAM.  |                            |  |

| ORDERING CODE                            |  |   |
|--|--|---|
| <b>MOUNTING OPTIONS</b><br>SEE PAGE 8, 9 | NC   | new construction plate  |
|  | IC <sup>6</sup>  | insulation contact housing                                      |
|  | ICAT <sup>6</sup>  | insulation contact/airtight housing                             |
|  | CP <sup>6</sup>  | chicago plenum housing  |
|  | RET  | retrofit, no ceiling plate                                      |
| <b>VOLTAGE</b>                           | 120  | 120V  |
|  | UNV  | 120V-277V   |
|  | LVL <sup>7</sup>   | low voltage luminaire   |
| <b>DIMMING</b>                           | DIM10  | eldoLED flicker free 0-10V dim to 1%                            |
|  | DIM10Z   | eldoLED flicker free 0-10V dim 0.1%                             |
|  | DALI   | eldoLED flicker free DALI-2 dim to 1%                           |
|  | DALIZ  | eldoLED flicker free DALI-2 dim to 0.1%                         |
|  | DMX-RJ45   | DMX control dimming to 0.1% with RJ45 connection                |
|  | DMX-WL   | DMX-512/RDM dim to 0% with lead wire input                      |
|  | DMX-XLR  | DMX-512/RDM dim to 0% with XLR input                            |
|  | LUT  | Lutron Hi-lume Ecosystem dimming to 1%, Soft-on & Fade-to-Black |
|  | LUTP <sup>8</sup>  | Lutron Hi-Lume Eco (fade) dim to 0.1%                           |
|  | ELVI <sup>9</sup>  | leading edge & trailing edge (Triac/ELV) dim to 1%              |
|  | NLT  | nLight control interface: Cat-5/RJ45, dim to off                |
|  | CAS  | Casambi control with flicker free 1% dimming                    |
|  | AWN <sup>10</sup>  | lutron athena wireless node                                     |
|  | L3DA   | Lutron Hi-lume 1% 3-wire/Ecosystem                              |
| ND                                       | No Driver Included. Customer to supply PoE system components or order remote driver separately. Refer to PoE/Remote Driver reference sheet for additional details. |   |
| <b>ELECTRICAL OPTIONS</b>                | EM7 <sup>11</sup>  | remote emergency battery, 90 min at 7W                          |
|  | EM12 <sup>11</sup>   | remote emergency battery, 90 min at 12W                         |
|  | EM10CA20 <sup>11</sup>   | remote emergency battery, 90 min at 10W                         |

| ADDITIONAL MOUNTING INFO                                      |   |
|---|---|
| New Construction Bar Hangers (included)                       | Mounting Length: 14-3/4" to 26"                                 |
| Extension Kit p/n: K20266 (ordered separately, 1 per fixture) | Extends a pair of Bar Hangers Total Mounting Length: 29" to 48" |

| YOUR COMPLETED ORDERING CODE  |
|---|
| Follow the steps to specify your fixture, example:                                  |
| <b>NU4 - RD - SW - 20LM - 35K - 90 - 8D - NL - WH - WH - NC - UNV - DIM10 - EM7</b> |

### NOTES

- 8D available in 10LM/15LM and 12D available in 10LM/15LM/20LM. Not recommended with DL/E/WDL lenses, beam angle increases by 25% or 2.5x.
- NL option does not meet requirements for AT/DF/WET/NSF listings. Lensing cannot be added in the field.
- Elliptical lens not available with 8D/12D optic options. Actual beam distributions [20D= 35° x 60°, 25D= 40° x 65°, 35D= 45° x 70°, 55D= 55° x 80°]
- HCL not available with lens.
- Custom set up fee plus minimum quantity required per color.
- IC/ICAT/CP not available in 40LM.
- Must select ND dimming code, for remote driver or POE specifications see page 11.
- LUTP not available in 25LM/30LM/40LM.
- ELVI available in 120V.
- AWN reference page 11 for product specifications on Athena wireless node.
- For integrated test switch add "ITS" after emergency backup code, i.e. EM12ITS. Not available in LVL/ND voltage and dimming codes.

\* EldoLED and DMX uses logarithmic dimming curve as standard. For linear dimming curve, add "LIN" after dimming code, i.e. DIM10LIN.

| PROJECT INFORMATION |  |      |
|---------------------|--|------|
| JOB NAME            |  | TYPE |
| ORDERING CODE       |  |      |

## TRIM OPTIONS

### TRIM/BEZEL COLORS



## OPTICAL OPTIONS

- UGR calculation based on CIE 117-1995; room size: 4H X 8H, reflectance: 70/50/20;
- UGR calculation based on 15LM fixtures, unless otherwise noted.

### REFLECTOR OPTIC ACCESSORY Honeycomb Louver



| OPTIC | BEAM ANGLE | UGR  |
|-------|------------|------|
| 8D    | 7.8        | 10.9 |
| 12D   | 11.3       | 23.5 |
| 20D   | 17.4       | 12.5 |
| 25D   | 22.2       | 13.9 |
| 35D   | 32.4       | 16.5 |
| 50D   | 44.9       | 13.4 |
| 65D   | 52         | 15.5 |

### NL No Lens



| OPTIC | BEAM ANGLE | UGR  |
|-------|------------|------|
| 8D    | 7.8        | 14.2 |
| 12D   | 11.9       | 13.8 |
| 20D   | 18         | 13.6 |
| 25D   | 22.8       | 13.1 |
| 35D   | 36.2       | 14.5 |
| 50D   | 49.2       | 18.3 |
| 65D   | 64.5       | 18.8 |

### CL Clear Lens



| OPTIC | BEAM ANGLE | UGR  |
|-------|------------|------|
| 8D    | 7.9        | 13.7 |
| 12D   | 12.1       | 13.3 |
| 20D   | 18         | 13.3 |
| 25D   | 22.8       | 12.8 |
| 35D   | 36.2       | 14.2 |
| 50D   | 49.2       | 18.1 |
| 65D   | 64.6       | 18.5 |

### SBL Smoothing Beam Lens



| OPTIC | BEAM ANGLE | UGR  |
|-------|------------|------|
| 8D    | 10.2       | 12.8 |
| 12D   | 13.2       | 12.9 |
| 20D   | 19.3       | 13   |
| 25D   | 24.3       | 13.1 |
| 35D   | 37.2       | 14.8 |
| 50D   | 51.2       | 15.6 |
| 65D   | 62.2       | 18.8 |

### HET High Efficiency Textured Lens



| OPTIC | BEAM ANGLE | UGR  |
|-------|------------|------|
| 20D   | 22.5       | 13.8 |
| 25D   | 27         | 14   |
| 35D   | 38.8       | 15.8 |
| 50D   | 49.8       | 16.5 |
| 65D   | 60.4       | 19.5 |

### DL Diffused Lens



| OPTIC | BEAM ANGLE | UGR  |
|-------|------------|------|
| 20D   | 39.4       | 19.5 |
| 25D   | 42.4       | 19.8 |
| 35D   | 50.6       | 20.8 |
| 50D   | 56.7       | 21.4 |
| 65D   | 66.7       | 23.3 |

### WDL Wide Diffused Lens



| OPTIC | BEAM ANGLE | UGR  |
|-------|------------|------|
| 20D   | 90.5       | 19.5 |
| 25D   | 93         | 19.8 |
| 35D   | 100        | 20.8 |
| 50D   | 104.5      | 21.4 |
| 65D   | 110.5      | 23.3 |

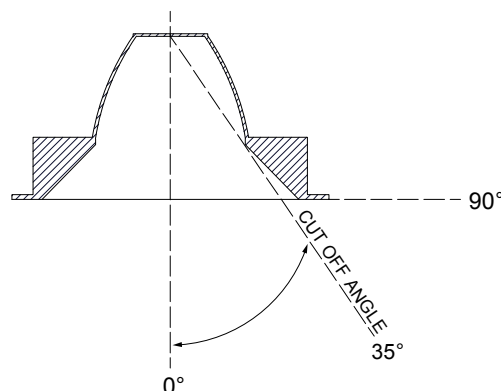
## GLARE CONTROL

### CUT-OFF ANGLE

Visual comfort is achieved with a lower cut-off angle due to improved glare control. The smaller the cut-off angle, the easier it is on the eye.

Alphabet downlights have been thoughtfully engineered to eliminate glare while still delivering functional illumination.

- Cutoff angle of CL is 35 degrees;



| PROJECT INFORMATION |  |      |
|---------------------|--|------|
| JOB NAME            |  | TYPE |
| ORDERING CODE       |  |      |

## TRIM OPTIONS

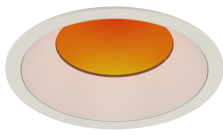
### TRIM/BEZEL COLORS



## OPTICAL OPTIONS

- UGR calculation based on CIE 117-1995; room size: 4H X 8H, reflectance: 70/50/20;
- UGR calculation based on 15LM fixtures, unless otherwise noted.

### AMBER



| OPTIC | MULTIPLIER | BEAM SPREAD |
|-------|------------|-------------|
| 20D   | 0.485      | 18°         |
| 25D   | 0.484      | 22°         |
| 35D   | 0.485      | 35°         |
| 50D   | 0.48       | 50°         |
| 65D   | 0.473      | 60°         |

AVERAGE LUMENS: 2000LM 1880 CCT

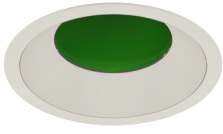
### RED



| OPTIC | MULTIPLIER | BEAM SPREAD |
|-------|------------|-------------|
| 20D   | 0.04       | 18°         |
| 25D   | 0.04       | 22°         |
| 35D   | 0.04       | 35°         |
| 50D   | 0.04       | 50°         |
| 65D   | 0.038      | 60°         |

AVERAGE LUMENS: 168LM

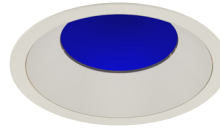
### GREEN



| OPTIC | MULTIPLIER | BEAM SPREAD |
|-------|------------|-------------|
| 20D   | 0.202      | 18°         |
| 25D   | 0.202      | 22°         |
| 35D   | 0.204      | 35°         |
| 50D   | 0.2        | 50°         |
| 65D   | 0.196      | 60°         |

AVERAGE LUMENS: 850LM

### BLUE



| OPTIC | MULTIPLIER | BEAM SPREAD |
|-------|------------|-------------|
| 20D   | 0.051      | 18°         |
| 25D   | 0.051      | 22°         |
| 35D   | 0.053      | 35°         |
| 50D   | 0.05       | 50°         |
| 65D   | 0.049      | 60°         |

AVERAGE LUMENS: 210LM

Add AM / BL / GR / RD to bezel lens ordering code section.

Example: NU4 - RD - SW - 10LM - 30K - 80 - 35D - <b>BL</b> - WH - WH - NC - UNV - DIM

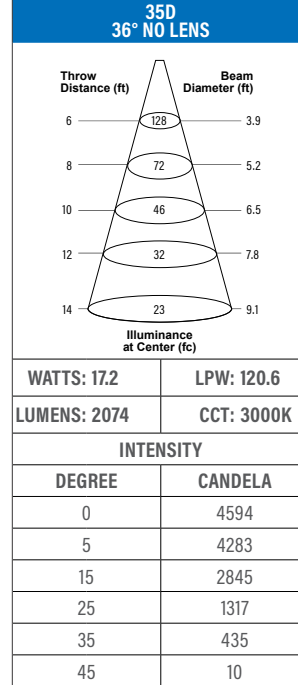
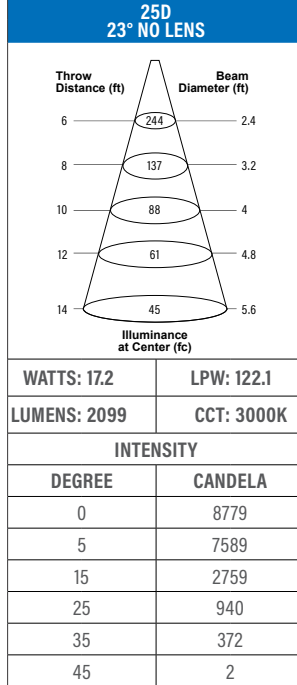
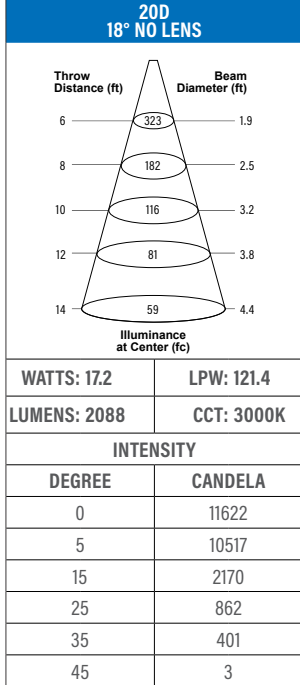
| PROJECT INFORMATION |  |      |
|---------------------|--|------|
| JOB NAME            |  | TYPE |
| ORDERING CODE       |  |      |

## PHOTOMETRIC DATA

### 20LM CCT MULTIPLIERS

|       | 80CRI | 90CRI |
|-------|-------|-------|
| 2700K | 0.96  | 0.81  |
| 3000K | 1     | 0.85  |
| 3500K | 1.03  | 0.88  |
| 4000K | 1.06  | 0.91  |

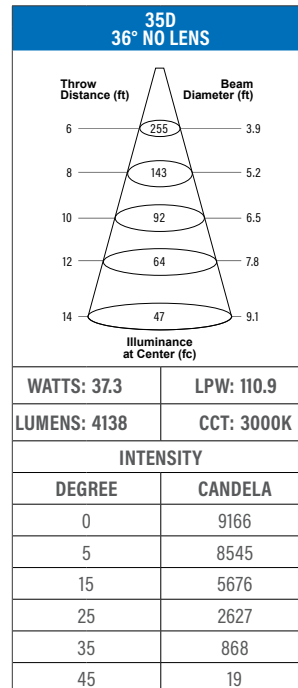
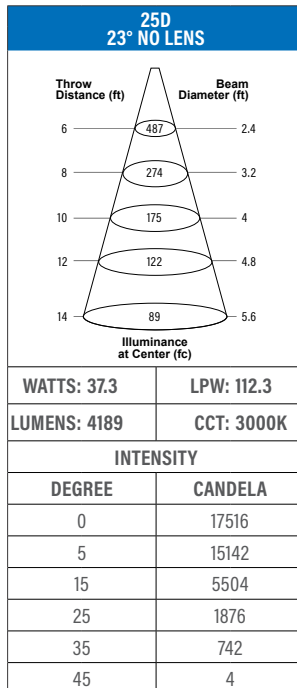
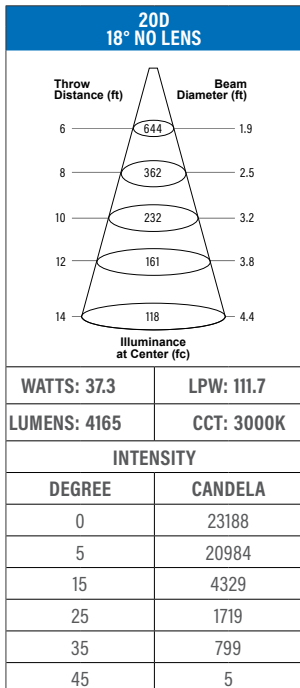
FC Formula = CBCP / Distance<sup>2</sup>



### 40LM CCT MULTIPLIERS

|       | 80CRI | 90CRI |
|-------|-------|-------|
| 2700K | 0.96  | 0.81  |
| 3000K | 1     | 0.85  |
| 3500K | 1.03  | 0.88  |
| 4000K | 1.06  | 0.91  |

FC Formula = CBCP / Distance<sup>2</sup>



| PROJECT INFORMATION |  |      |
|---------------------|--|------|
| JOB NAME            |  | TYPE |
| ORDERING CODE       |  |      |

## PHOTOMETRIC DATA

| 20LM CCT MULTIPLIERS                      |       |       |
|---|-------|-------|
|   | 80CRI | 90CRI |
| 2700K                                     | 0.96  | 0.81  |
| 3000K                                     | 1     | 0.85  |
| 3500K                                     | 1.03  | 0.88  |
| 4000K                                     | 1.06  | 0.91  |
| FC Formula = CBCP / Distance <sup>2</sup> |       |       |

| 50D<br>49° NO LENS         |                    |
|----------------------------|--------------------|
| Throw Distance (ft)        | Beam Diameter (ft) |
| 6                          | 9.0                |
| 8                          | 5.1                |
| 10                         | 3.3                |
| 12                         | 2.3                |
| 14                         | 1.7                |
| Illuminance at Center (fc) |                    |
| WATTS: 17.2                | LPW: 121.2         |
| LUMENS: 2085               | CCT: 3000K         |
| INTENSITY                  |                    |
| DEGREE                     | CANDELA            |
| 0                          | 3253               |
| 5                          | 3231               |
| 15                         | 2606               |
| 25                         | 1591               |
| 35                         | 450                |
| 45                         | 13                 |

| 65D<br>65° NO LENS         |                    |
|----------------------------|--------------------|
| Throw Distance (ft)        | Beam Diameter (ft) |
| 6                          | 5.9                |
| 8                          | 3.3                |
| 10                         | 2.1                |
| 12                         | 1.5                |
| 14                         | 1.1                |
| Illuminance at Center (fc) |                    |
| WATTS: 17.2                | LPW: 120.9         |
| LUMENS: 2080               | CCT: 3000K         |
| INTENSITY                  |                    |
| DEGREE                     | CANDELA            |
| 0                          | 2103               |
| 5                          | 2101               |
| 15                         | 1990               |
| 25                         | 1520               |
| 35                         | 779                |
| 45                         | 144                |

| 40LM CCT MULTIPLIERS                      |       |       |
|---|-------|-------|
|   | 80CRI | 90CRI |
| 2700K                                     | 0.96  | 0.81  |
| 3000K                                     | 1     | 0.85  |
| 3500K                                     | 1.03  | 0.88  |
| 4000K                                     | 1.06  | 0.91  |
| FC Formula = CBCP / Distance <sup>2</sup> |       |       |

| 50D<br>49° NO LENS         |                    |
|----------------------------|--------------------|
| Throw Distance (ft)        | Beam Diameter (ft) |
| 6                          | 180                |
| 8                          | 102                |
| 10                         | 65                 |
| 12                         | 45                 |
| 14                         | 33                 |
| Illuminance at Center (fc) |                    |
| WATTS: 37.3                | LPW: 111.5         |
| LUMENS: 4160               | CCT: 3000K         |
| INTENSITY                  |                    |
| DEGREE                     | CANDELA            |
| 0                          | 6491               |
| 5                          | 6446               |
| 15                         | 5200               |
| 25                         | 3175               |
| 35                         | 898                |
| 45                         | 25                 |

| 65D<br>65° NO LENS         |                    |
|----------------------------|--------------------|
| Throw Distance (ft)        | Beam Diameter (ft) |
| 6                          | 117                |
| 8                          | 66                 |
| 10                         | 42                 |
| 12                         | 29                 |
| 14                         | 21                 |
| Illuminance at Center (fc) |                    |
| WATTS: 37.3                | LPW: 111.2         |
| LUMENS: 4150               | CCT: 3000K         |
| INTENSITY                  |                    |
| DEGREE                     | CANDELA            |
| 0                          | 4195               |
| 5                          | 4191               |
| 15                         | 3971               |
| 25                         | 3033               |
| 35                         | 1555               |
| 45                         | 288                |

| PROJECT INFORMATION |  |      |
|---------------------|--|------|
| JOB NAME            |  | TYPE |
| ORDERING CODE       |  |      |

## PHOTOMETRIC DATA

| 10LM CCT MULTIPLIERS                      |       |       |
|---|-------|-------|
|   | 80CRI | 90CRI |
| 2700K                                     | 0.96  | 0.81  |
| 3000K                                     | 1     | 0.85  |
| 3500K                                     | 1.03  | 0.88  |
| 4000K                                     | 1.06  | 0.91  |
| FC Formula = CBCP / Distance <sup>2</sup> |       |       |

| 8D<br>7.8° NO LENS         |                    |
|----------------------------|--------------------|
| Throw Distance (ft)        | Beam Diameter (ft) |
| 6                          | 562                |
| 8                          | 316                |
| 10                         | 202                |
| 12                         | 140                |
| 14                         | 103                |
| Illuminance at Center (fc) |                    |
| WATTS: 12                  | LPW: 66            |
| LUMENS: 792                | CCT: 3000K         |
| INTENSITY                  |                    |
| DEGREE                     | CANDELA            |
| 0                          | 20223              |
| 5                          | 6477               |
| 15                         | 368                |
| 25                         | 287                |
| 35                         | 170                |
| 45                         | 0                  |

| 12D<br>12° NO LENS         |                    |
|----------------------------|--------------------|
| Throw Distance (ft)        | Beam Diameter (ft) |
| 6                          | 266                |
| 8                          | 150                |
| 10                         | 96                 |
| 12                         | 66                 |
| 14                         | 49                 |
| Illuminance at Center (fc) |                    |
| WATTS: 8.7                 | LPW: 92.8          |
| LUMENS: 807                | CCT: 3000K         |
| INTENSITY                  |                    |
| DEGREE                     | CANDELA            |
| 0                          | 9574               |
| 5                          | 6065               |
| 15                         | 532                |
| 25                         | 299                |
| 35                         | 155                |
| 45                         | 0                  |

| 20LM CCT MULTIPLIERS                      |       |       |
|---|-------|-------|
|   | 80CRI | 90CRI |
| 2700K                                     | 0.96  | 0.81  |
| 3000K                                     | 1     | 0.85  |
| 3500K                                     | 1.03  | 0.88  |
| 4000K                                     | 1.06  | 0.91  |
| FC Formula = CBCP / Distance <sup>2</sup> |       |       |

| 8D<br>7.8° NO LENS         |                    |
|----------------------------|--------------------|
| Throw Distance (ft)        | Beam Diameter (ft) |
| 6                          | 885                |
| 8                          | 498                |
| 10                         | 319                |
| 12                         | 221                |
| 14                         | 163                |
| Illuminance at Center (fc) |                    |
| WATTS: 20                  | LPW: 62.4          |
| LUMENS: 1248               | CCT: 3000K         |
| INTENSITY                  |                    |
| DEGREE                     | CANDELA            |
| 0                          | 31866              |
| 5                          | 10206              |
| 15                         | 579                |
| 25                         | 452                |
| 35                         | 269                |
| 45                         | 1                  |

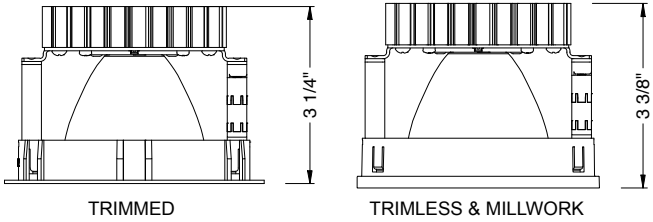
| 12D<br>12° NO LENS         |                    |
|----------------------------|--------------------|
| Throw Distance (ft)        | Beam Diameter (ft) |
| 6                          | 520                |
| 8                          | 293                |
| 10                         | 187                |
| 12                         | 130                |
| 14                         | 96                 |
| Illuminance at Center (fc) |                    |
| WATTS: 17                  | LPW: 92.9          |
| LUMENS: 1579               | CCT: 3000K         |
| INTENSITY                  |                    |
| DEGREE                     | CANDELA            |
| 0                          | 18725              |
| 5                          | 11861              |
| 15                         | 1041               |
| 25                         | 585                |
| 35                         | 303                |
| 45                         | 0                  |

| PROJECT INFORMATION |  |      |
|---------------------|--|------|
| JOB NAME            |  | TYPE |
| ORDERING CODE       |  |      |

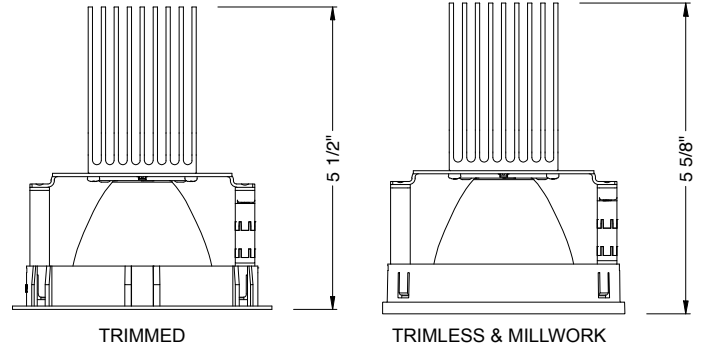
## MOUNTING OPTIONS

### FIXTURE HEIGHT

#### 10M - 30LM CONFIGURATION

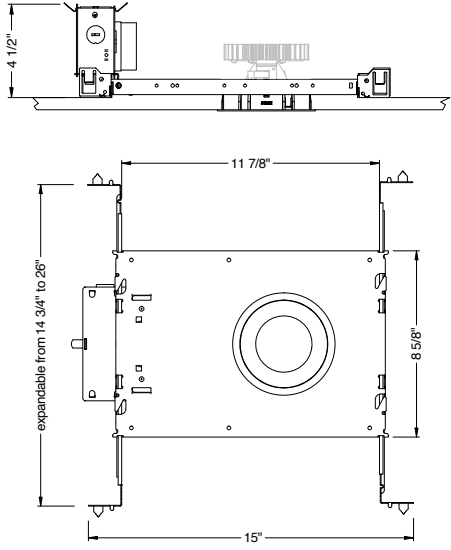


#### 35M - 40LM CONFIGURATION

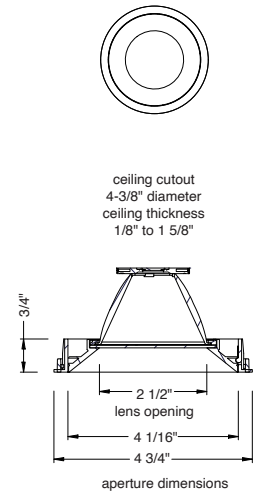


### NC - NEW CONSTRUCTION

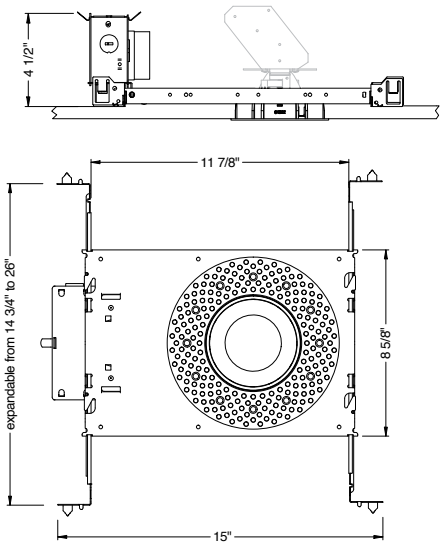
#### TRIM



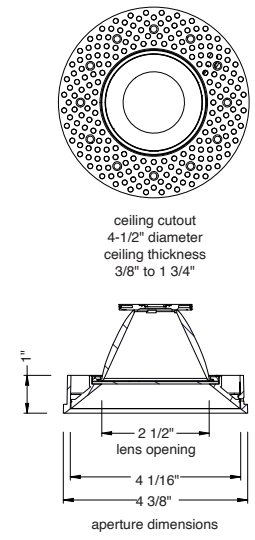
#### TRIM



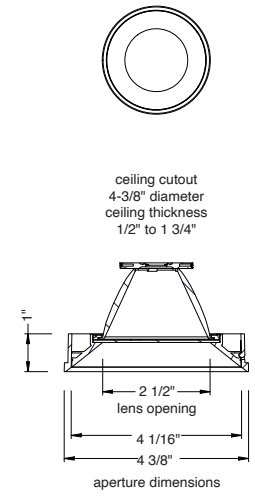
#### TRIMLESS



#### TRIMLESS



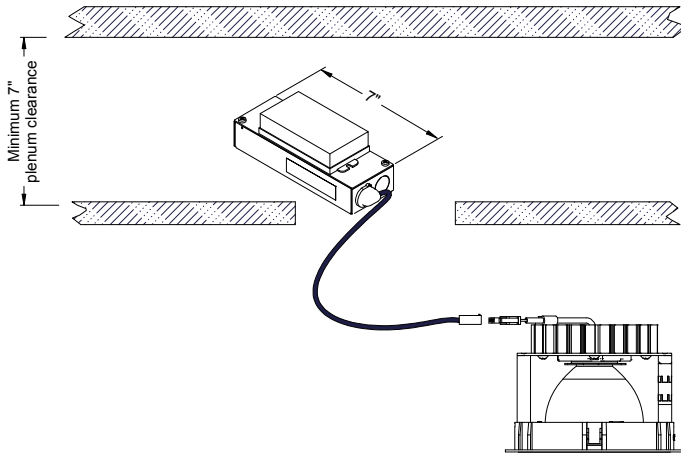
#### TRIMLESS/MILLWORK



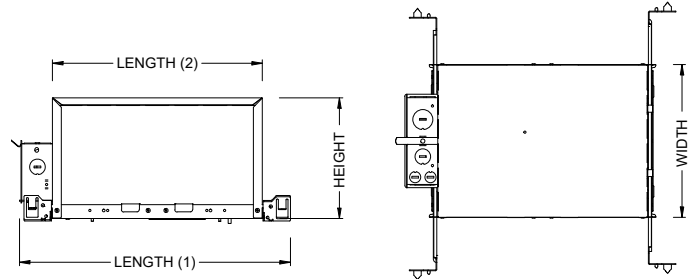
| PROJECT INFORMATION |  |      |
|---------------------|--|------|
| JOB NAME            |  | TYPE |
| ORDERING CODE       |  |      |

## MOUNTING OPTIONS (CONTINUED)

### RET - RETRO TRIM/TRIMLESS



### IC - INSULATION CONTACT HOUSING ICAT - INSULATION CONTACT / AIR TIGHT CP - CHICAGO PLENUM



| BOX SIZE | L 1        | L 2       | W         | H         |
|----------|------------|-----------|-----------|-----------|
| A        | 15 - 7/16" | 11 - 3/4" | 8 - 1/2"  | 6 - 3/4"  |
| B        | 18 - 1/4"  | 14 - 7/8" | 12 - 1/8" | 11 - 1/4" |

| RATINGS / CERTIFICATIONS              | NC | RET | IC | ICAT | CP |
|---------------------------------------|----|-----|----|------|----|
| TYPE NON-IC                           | ✓  | ✓   |    |      |    |
| TYPE IC                               |    |     | ✓  | ✓    | ✓  |
| CHICAGO PLENUM (CCEA)                 |    |     |    |      | ✓  |
| SUITABLE FOR AIR HANDLING PLENUMS     | ✓  | ✓   | ✓  | ✓    | ✓  |
| REDUCED AIRFLOW (WITH LENS) ASTM E283 | ✓  | ✓   | ✓  | ✓    | ✓  |

| BOX TYPE / LUMEN OUTPUT - NARROW BEAM (8°-12°) |         |      |    |         |      |    |
|--|---------|------|----|---------|------|----|
| LUMEN OUTPUT                                   | BOX - A |      |    | BOX - B |      |    |
|  | IC      | ICAT | CP | IC      | ICAT | CP |
| 10LM   | ✓       | ✓    | ✓  |         |      |    |
| 15LM   | ✓       | ✓    | ✓  |         |      |    |
| 20LM   |         |      |    | ✓       | ✓    | ✓  |

| CEILING THICKNESS   |                            |
|---------------------|----------------------------|
| FIXTURE TYPE        | MOUNTING TYPE              |
|                     |                            |
|                     | STANDARD CEILING THICKNESS |
| TRIM                | 1/8" to 1-5/8"             |
| TRIMLESS            | 3/8" to 1-3/4"             |
| MILLWORK (TRIMLESS) | 1/2" to 1-3/4"             |

| BOX TYPE / LUMEN OUTPUT - STANDARD BEAMS (20° - 65°) |         |      |    |         |      |    |
|--|---------|------|----|---------|------|----|
| LUMEN OUTPUT   | BOX - A |      |    | BOX - B |      |    |
|  | IC      | ICAT | CP | IC      | ICAT | CP |
| 10LM   | ✓       | ✓    | ✓  |         |      |    |
| 15LM   | ✓       | ✓    | ✓  |         |      |    |
| 20LM   | ✓       | ✓    | ✓  |         |      |    |
| 25LM   | ✓       | ✓    | ✓  |         |      |    |
| 30LM   | ✓       | ✓    | ✓  |         |      |    |
| 35LM   |         |      |    | ✓       | ✓    | ✓  |
| 40LM   |         |      |    |         |      |    |

| PROJECT INFORMATION |  |      |
|---------------------|--|------|
| JOB NAME            |  | TYPE |
| ORDERING CODE       |  |      |

## BATTERY OPTIONS

### EMERGENCY BATTERY

IOTA's ILB Battery Backups are UL Listed LED emergency drivers that allow the same LED fixture to be used for both normal and emergency operation. In the event of a power failure, the ILB switches to the emergency mode and operates the existing fixture for 90 minutes. The unit contains a battery, charger, and converter circuit in a single can. The Constant Power design of the ILB maintains the output wattage to the LED array even as the system voltage diminishes. UL 924 Listed for U.S. and Canada. UL 1310 Certified, Output Class 2 Compliant. Includes single-piece TBTS test switch and charge indicator accessory kit. For use with switched and unswitched fixtures, and includes Two-wire universal AC input. Meets or exceeds all National Electric Code and Life Safety Code Emergency Lighting Requirements. Rated for use in Plenum, Damp Location, Recessed Type IC, and Enclosed and Gasketed Luminaires.

### INTEGRATED TEST SWITCH

The integrated test switch mounted onto fixture bezel.

### REMOTE TEST SWITCH

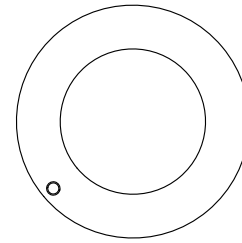
The Remote Test Switch may be mounted adjacent to the LED Fixture by others.

### EMERGENCY BATTERY ACCESS

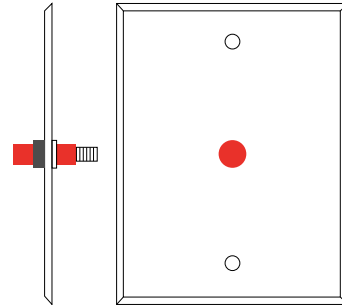
Above ceiling access is required for service. An access panel in the ceiling (or other form of access) adjacent to the installation location of the Emergency Battery is required.

### REMOTE LOCATION

Maximum remote mounting distance of the emergency driver shall be 50 feet. Remote location wiring provided by others. Follow all Local and National Electric/ Building Codes.



Integrated Test Switch



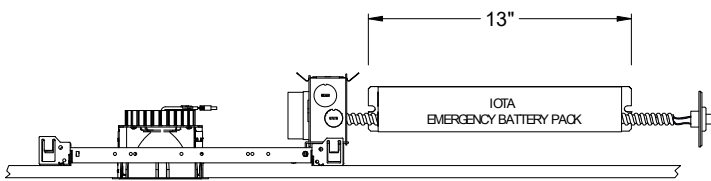
Remote Test Switch

### EM MODE OUTPUT (DELIVERED LUMENS)

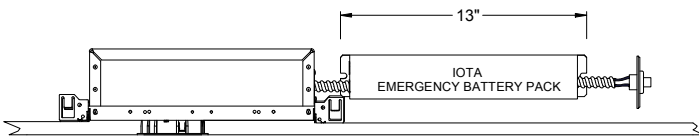
| LUMEN ORDERING CODE        | EM7   | EM10   | EM12   |
|----------------------------|-------|--------|--------|
| ALL OPTIONS (10LM TO 30LM) | 820LM | 1200LM | 1480LM |

Notes: Based on 30K, 80CRI

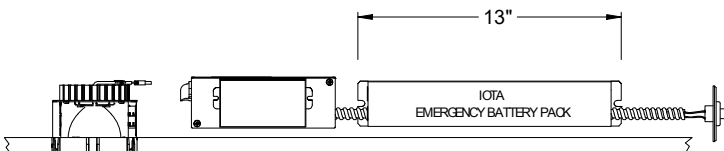
### NC - NEW CONSTRUCTION WITH EM BATTERY (REMOTE TEST SWITCH)



### IC / ICAT / CP - INSULATION CONTACT HOUSING WITH EM BATTERY (REMOTE TEST SWITCH)

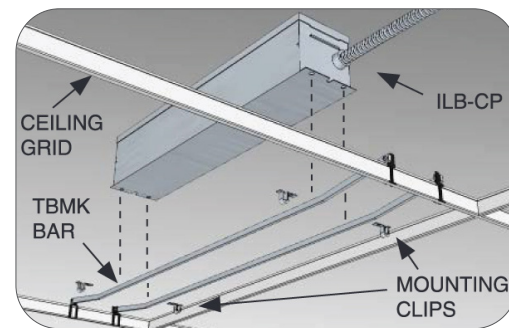


### RET - RETROFIT WITH EM BATTERY (REMOTE TEST SWITCH)



### Accessory

76066 Optional T-Grid Mounting Kit<sup>1</sup>



1. Can be used with any of the Emergency Battery Backups. Must be ordered as a separate line item.

| PROJECT INFORMATION |  |      |
|---------------------|--|------|
| JOB NAME            |  | TYPE |
| ORDERING CODE       |  |      |

## LOW VOLTAGE OPTIONS

### 20° - 65° BEAM

(Note: Specifications are subject to change without notice)

#### 14mm COB PERFORMANCE DATA

| LED LIGHT ENGINE | NOMINAL DELIVERED LUMENS                                       | DRIVE CURRENT | LED WATTAGE |
|------------------|--|---------------|-------------|
| 10LM             | 990LM @30K/80CRI   | 250mA         | 9W          |
| 15LM             | 1485LM @30K/80CRI  | 300mA         | 11W         |
| 20LM             | 2095LM @30K/80CRI  | 425mA         | 15.5W       |
| 25LM             | 2540LM @30K/80CRI  | 525mA         | 19W         |
| 30LM             | 3090LM @30K/80CRI  | 650mA         | 23.5W       |
| 35LM             | 3580LM @30K/80CRI  | 800mA         | 29W         |
| 40LM             | 4180LM @30K/80CRI  | 900mA         | 32.5W       |
| 10LM             | 840LM @30K/90/CRI  | 250mA         | 9W          |
| 15LM             | 1260LM @30K/90/CRI   | 300mA         | 11W         |
| 20LM             | 1780LM @30K/90/CRI   | 425mA         | 15.5W       |
| 25LM             | 2160LM @30K/90/CRI   | 525mA         | 19W         |
| 30LM             | 2620LM @30K/90/CRI   | 650mA         | 23.5W       |
| 35LM             | 3040LM @30K/90/CRI   | 800mA         | 29W         |
| 40LM             | 3550LM @30K/90/CRI   | 900mA         | 32.5W       |
| Notes            | Delivered lumens based on 25D optic with no lens, (see page 2) |               |             |

### 12° BEAM

(Note: Specifications are subject to change without notice)

#### 10mm COB PERFORMANCE DATA

| LED LIGHT ENGINE | NOMINAL DELIVERED LUMENS                                  | DRIVE CURRENT | LED WATTAGE |
|------------------|---|---------------|-------------|
| 10LM             | 810LM @30K/80CRI  | 250mA         | 9W          |
| 15LM             | 1580LM @30K/80CRI   | 300mA         | 11W         |
| 20LM             | 2010LM @30K/80CRI   | 400mA         | 14.5W       |
| 10LM             | 690LM @30K/90CRI  | 250mA         | 9W          |
| 15LM             | 1340LM @30K/90CRI   | 300mA         | 11W         |
| 20LM             | 1710LM @30K/90CRI   | 400mA         | 14.5W       |
| Notes            | Delivered lumens based on 12D optic no lens, (see page 2) |               |             |

### 8° BEAM

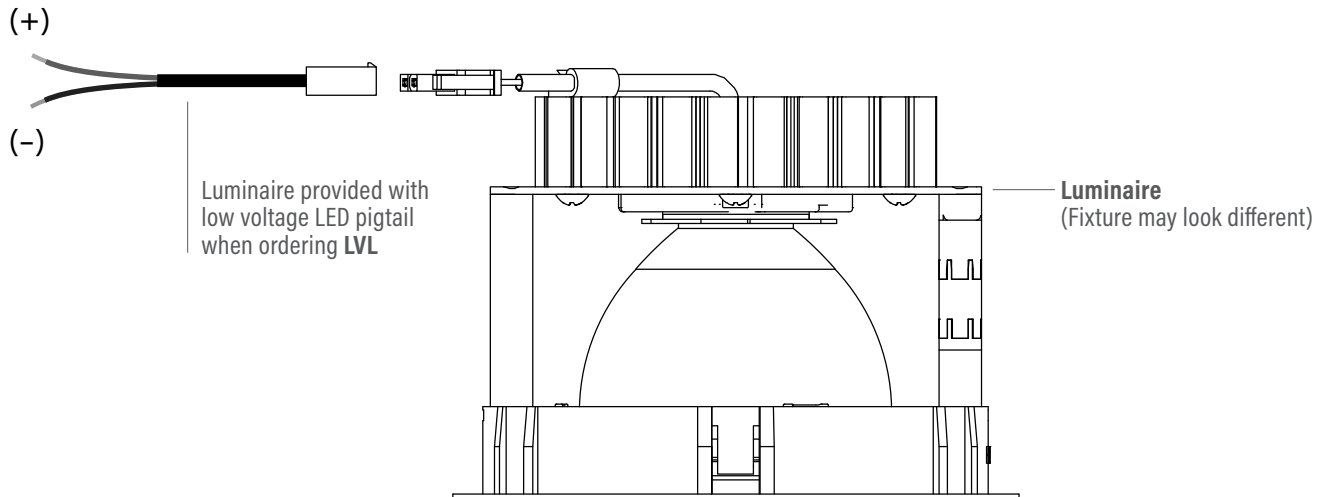
(Note: Specifications are subject to change without notice)

#### 6mm COB PERFORMANCE DATA

| LED LIGHT ENGINE | NOMINAL DELIVERED LUMENS                                 | DRIVE CURRENT | LED WATTAGE |
|------------------|--|---------------|-------------|
| 10LM             | 790LM @30K/80CRI   | 225mA         | 8.5W        |
| 15LM             | 1250LM @30K/80CRI  | 350mA         | 13W         |
| 10LM             | 670LM @30K/90CRI   | 225mA         | 8.5W        |
| 15LM             | 1060LM @30K/90CRI  | 350mA         | 13W         |
| Notes            | Delivered lumens based on 8D optic no lens, (see page 2) |               |             |

## NOMINAL LED VOLTAGE: 36VDC

Customer to order CC Remote Driver separately or POE Node by others.

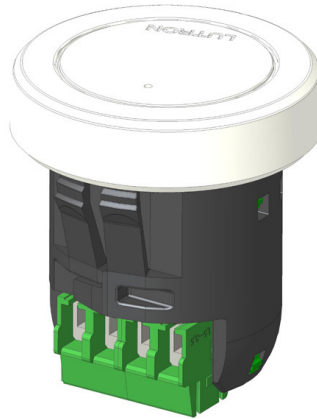


| PROJECT INFORMATION |      |  |
|---------------------|------|--|
| JOB NAME            | TYPE |  |
| ORDERING CODE       |      |  |

## AWNRR OPTIONS

### Athena Wireless Node

The Athena wireless node is a radio frequency (RF) device that enables simple, digital control of individual light fixtures in an Athena control system.



Athena Wireless Node RF

#### AWNRR

Plenum rated and can be installed above the ceiling for wireless control of a fixture without any impact on fixture aesthetics.

#### FEATURES

- Enables individual, wireless control of each fixture in an Athena control system. Accommodates zone and control changes without rewiring.
- Installed at factory – no wiring required on-site. Fixture is ready to communicate wirelessly once power is connected.
- All drivers on the link are controlled as a single zone.

#### REGULATORY APPROVALS

- cULus Listed (UL916)
- Complies with requirements for use in other spaces used for environmental air (plenums) per NEC® 2014 300.22(C)(3).
- FCC compliant with the limits for a Class B digital device.
- IC (Industry Canada)
- ANSI C137.1 0-10 V- Electronic Off

#### POWER / LOAD

- IEC SELV/NEC® Class 2
- 1 Watt

#### ENVIRONMENTAL

- Ambient operating temperature (immediate vicinity of Athena wireless node): **32 °F to 131 °F** (0 °C to 55 °C), 0% to 90% humidity.

#### BATTERY OPTIONS

- For EM options please consult factory.

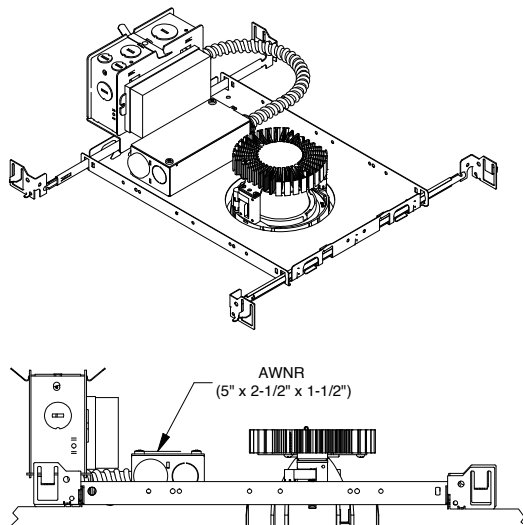
#### Note: Default behavior prior to programming

- Light level 100%
- Athena wireless node performs an unprogrammed startup sequence on every power up until the device is added to an Athena system.
- Each Athena wireless node should be installed within 25 ft (7.62 m) of two or more Athena wireless nodes or other Clear Connect – Type X devices.
- For Chicago plenum installations, the Athena wireless node may not be installed in the plenum space. It must be installed in the occupied space.

**For servicing the driver/j-box, access above ceiling is required. (NC Mounting)**

**IC/ICAT/CP not available in AWNR.**

#### NC - NEW CONSTRUCTION



#### RET - RETRO FIT

