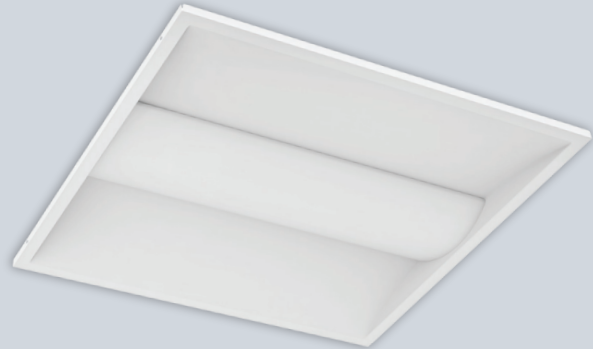


LED LAY IN CENTER BASKET TROFFER - 5 CCT & 5 WATTAGE SELECT 2X2', 2X4', 1X4'



2X2'
LR25311

20W 25W 30W 35W 40W



1X4'
LR25313

20W 25W 30W 35W 40W



2X4'
LR25312

30W 40W 50W 60W 72W



EMERGENCY + MOTION SENSOR
OPTION ALSO AVAILABLE

LR25311+EM	LR25311+MS
LR25312+EM	LR25312+MS

BATTERY
BACKUP

MOTION
SENSOR



COLOR SELECTABLE

3000K 3500K 4000K 5000K 6000K

WATTAGE
SELECTABLE

5 OPTIONS

DIMMABLE

0-10V

120-
277V

BATTERY
BACKUP

*OPTION
AVAILABLE

DAMP
LOCATION
RATED

5
YEAR
WARRANTY

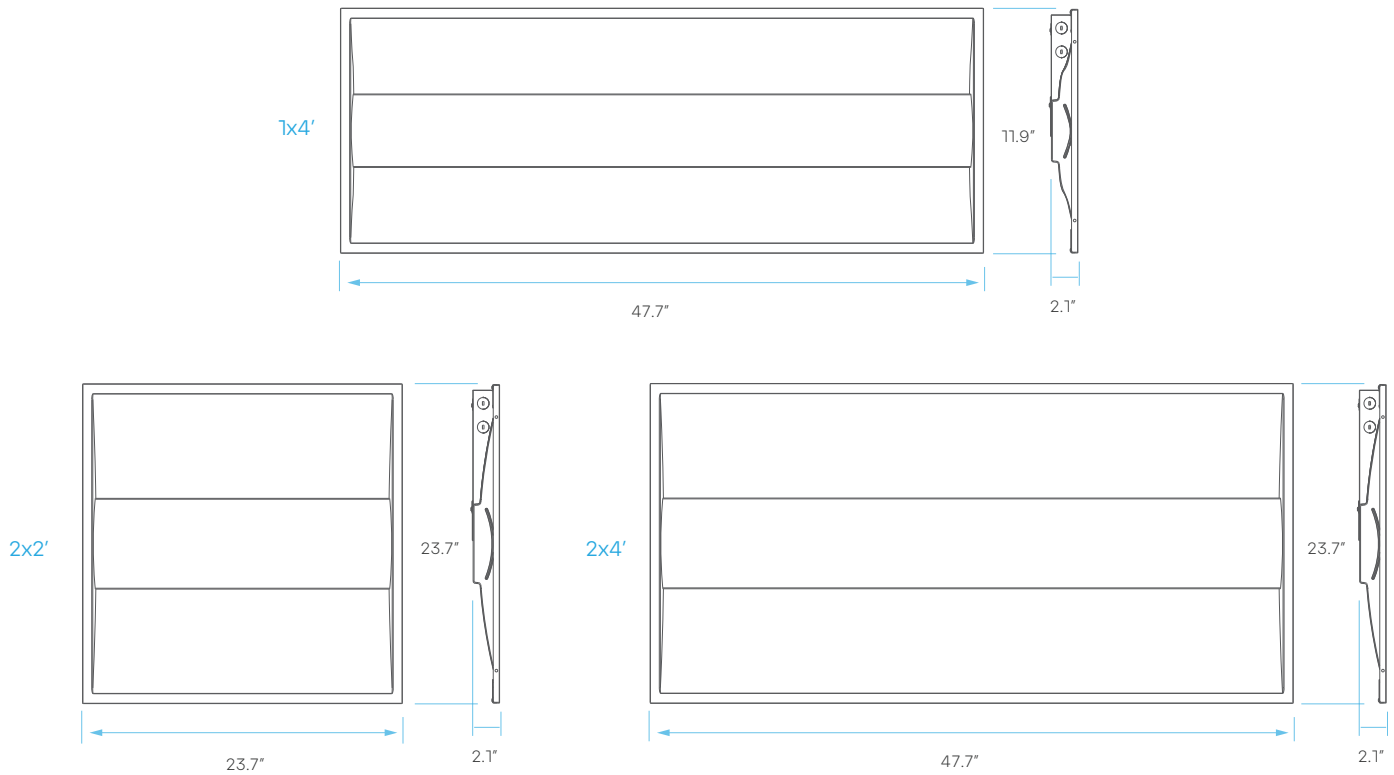
ELECTRICAL

MODEL	DESCRIPTION	POWER	LUMEN	INPUT VOLTS	EFFICACY	LIFETIME	EMERGENCY TIME	MOTION SENSOR								
1X4	LR25313	LED1X4TROF/CB/5WO/5CCT/D	20	2500	120-277V	125	50,000									
			25	3125												
			30	3750												
			35	4375												
			40	5000												
	LR25311	LED2X2TROF/CB/5WO/5CCT/D	20	2500	120-277V	125	50,000									
			25	3125												
			30	3750												
			35	4375												
			40	5000												
2X2	LR25311+EM	LED2X2TROF/CB/5WO/5CCT/D+EM	20	2500	120-277V	125	50,000	90 MINS								
			25	3125												
			30	3750												
			35	4375												
			40	5000												
	LR25311+MS	LED2X2TROF/CB/5WO/5CCT/D+MS	20	2500	120-277V	125	50,000		Bi-Level							
			25	3125												
			30	3750												
			35	4375												
			40	5000												
2X4	LR25312	LED2X4TROF/CB/5WO/5CCT/D	30	3750	120-277V	125	50,000									
			40	5000												
			50	6250												
			60	7500												
			72	9000												
			LR25312+EM	LED2X4TROF/CB/5WO/5CCT/D+EM						30	3750	120-277V	125	50,000	90 MINS	
										40	5000					
50	6250															
60	7500															
72	9000															
LR25312+MS	LED2X4TROF/CB/5WO/5CCT/D+MS	30	3750	120-277V	125	50,000		Bi-Level								
		40	5000													
		50	6250													
		60	7500													
		72	9000													

PHOTOMETRIC

MODEL	DESCRIPTION	COLOR (CCT)	TEMP	FLOOD*	CRI	ETL	DLC LISTED
LR25313	LED1X4TROF/CB/5WO/5CCT/D	3000K/3500K//4000K/5000K/6000K	CCT SELECT	120°	80	YES	
LR25311	LED2X2TROF/CB/5WO/5CCT/D	3000K/3500K//4000K/5000K/6000K	CCT SELECT	120°	80	YES	S-9PTXPC
LR25311+EM	LED2X2TROF/CB/5WO/5CCT/D+EM	3000K/3500K//4000K/5000K/6000K	CCT SELECT	120°	80	YES	S-9PTXPC
LR25311+MS	LED2X2TROF/CB/5WO/5CCT/D+MS	3000K/3500K//4000K/5000K/6000K	CCT SELECT	120°	80	YES	S-9PTXPC
LR25312	LED2X4TROF/CB/5WO/5CCT/D	3000K/3500K//4000K/5000K/6000K	CCT SELECT	120°	80	YES	S-3LP1DQ
LR25312+EM	LED2X4TROF/CB/5WO/5CCT/D+EM	3000K/3500K//4000K/5000K/6000K	CCT SELECT	120°	80	YES	S-3LP1DQ
LR25312+MS	LED2X4TROF/CB/5WO/5CCT/D+MS	3000K/3500K//4000K/5000K/6000K	CCT SELECT	120°	80	YES	S-3LP1DQ

DIMENSIONS

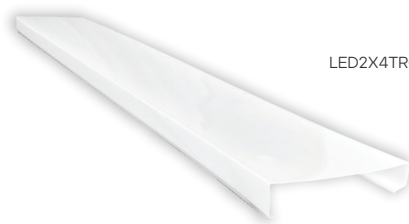


SQUARE LENS

*SOLD SEPARATELY



LR25316
LED2X2TROF/CB/5WO/5CCT/SQ/LENS
SQUARE LENS



LR25317
LED2X4TROF/CB/5WO/5CCT/SQ/LENS
SQUARE LENS



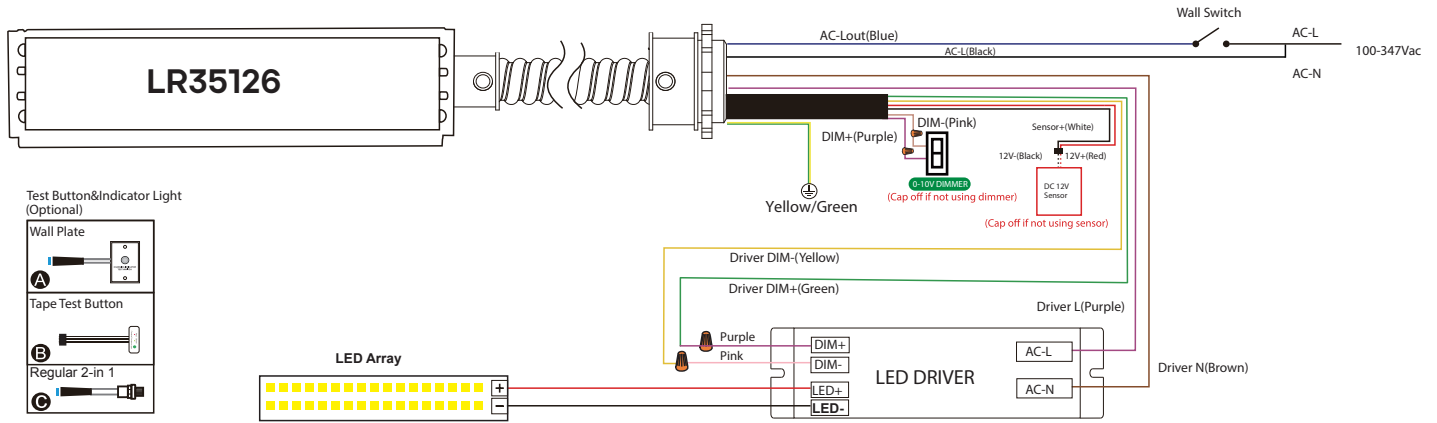
LR35126 - SPECIFICATIONS

MODEL	DESCRIPTION	EM POWER	INPUT VOLTS	FREQUENCY	INPUT CURRENT	INPUT POWER	OUTPUT VOLTAGE	RECHARGE TIME	EMERGENCY TIME
LR35126	LED/EMR/15W/AC/SF/E	15	100-347V	50/60Hz	100mA	12W max	170V DC	24Hr	90min

AMBIENT TEMPERATURE: 41°F ~ 122°F

LR35126 - WIRING DIAGRAM

1. For LED luminaires with 0-10V dimmable LED driver (*LED Driver input power <100W) Emergency Driver Dim+ (Green), Driver Dim- (Yellow) has to connect with LED Driver DIM+ and DIM_



BI-LEVEL MOTION SENSOR SETTINGS

