



KT-EM-RX2-SVWL-SL

EMERGENCY LIGHT

DESCRIPTION

Emergency Light | Single or Dual Heads | Wet Rated |
 Silver Finish | 6500K White Light | Surface Mount |
 Low Voltage Input

APPLICATION

UL 924 Compliant Emergency Light Remote Head Rated for Wet Locations.



PRODUCT FEATURES

- 6500K White Light Single and Dual Heads
- Surface Mount - Back
- Thermoplastic Housing - UL 94 5VA Flame Rating
- UL Certified for Wet Locations
- Ambient Operating Temperature: 0°C/32°F to 40°C/104°F

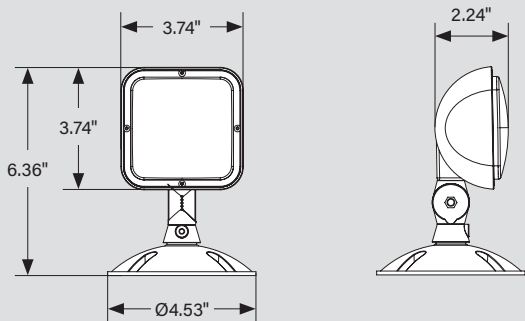
PERFORMANCE SPECIFICATIONS

Catalog Number	Input Voltage	Input Power	CCT	Lumens	Housing Color	Mounting
KT-EM-RS2-SVWL-SL	Low Voltage - 3.6V	1.2W	6500K	100	Silver	Surface: Back Mount
KT-EM-RD2-SVWL-SL		2.4W		200		

* See Ordering Information and Catalog Number Breakdown for more details.

PHYSICAL SPECIFICATIONS

SINGLE HEAD



Weight

Fixture Weight	Carton Weight
0.6 lbs	9.2 lbs

KT-EM-RX2-SVWL-SL

EMERGENCY LIGHT

PHYSICAL SPECIFICATIONS

DUAL HEAD

Weight

Fixture Weight	Carton Weight
0.9 lbs	15.3 lbs

ORDERING INFORMATION

Catalog Number	Heads	Finish	UPC	Easy Code
KT-EM-RS2-SVWL-SL	Single	Silver	843654165202	QIW-93
KT-EM-RD2-SVWL-SL	Dual		843654165219	INV-73

CATALOG NUMBER BREAKDOWN

KT-EM-RX2-SVWL-SL

<p>1 Keystone Technologies</p> <p>2 Emergency Light</p> <p>3 Remote Head</p> <p>4 Form Factor 2</p> <p>5 Housing Color</p> <p>6 Light Color</p> <p>7 Mounting</p> <p>8 Input Voltage</p>	<p>3 Remote Head</p> <table border="1" style="width: 100%;"> <tr> <td>RS</td> <td>Remote Single Head</td> </tr> <tr> <td>RD</td> <td>Remote Double Head</td> </tr> </table>	RS	Remote Single Head	RD	Remote Double Head	<p>5 Housing Color</p> <table border="1" style="width: 100%;"> <tr> <td>SV</td> <td>Silver</td> </tr> </table> <p>6 Light Color</p> <table border="1" style="width: 100%;"> <tr> <td>WL</td> <td>White Light</td> </tr> </table>	SV	Silver	WL	White Light	<p>7 Mounting</p> <table border="1" style="width: 100%;"> <tr> <td>S</td> <td>Surface Mount</td> </tr> </table> <p>8 Input Voltage</p> <table border="1" style="width: 100%;"> <tr> <td>L</td> <td>Low Voltage</td> </tr> </table>	S	Surface Mount	L	Low Voltage
RS	Remote Single Head														
RD	Remote Double Head														
SV	Silver														
WL	White Light														
S	Surface Mount														
L	Low Voltage														