

## H-TRACK SYSTEM LED TRACK HEAD - 5 CCT SELECTABLE 2", 2.5", 3" - ROUND & SQUARE



### TRACKRITE

UNIVERSAL COMPONENTS AVAILABLE\*



2"

LR43881

LR43879



2"

LR43883

LR43882



2.5"

LR43891

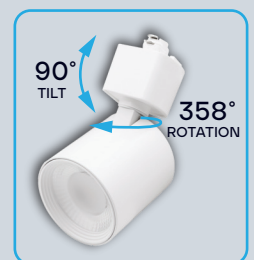
LR43890



3"

LR43888

LR43887



COLOR SELECTABLE

2700K 3000K 3500K 4000K 5000K



DIMMABLE  
TRIAC

120V

3  
YEAR  
WARRANTY

\*ALL ACCESSORIES ARE SOLD SEPARATELY

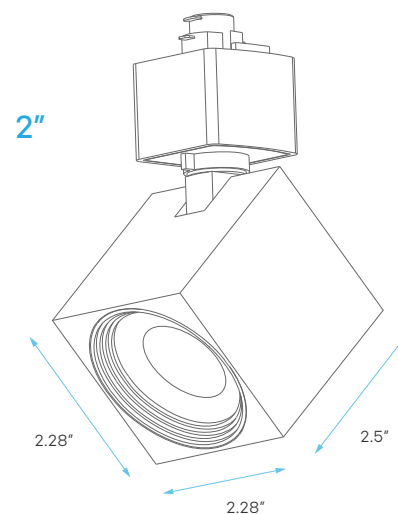
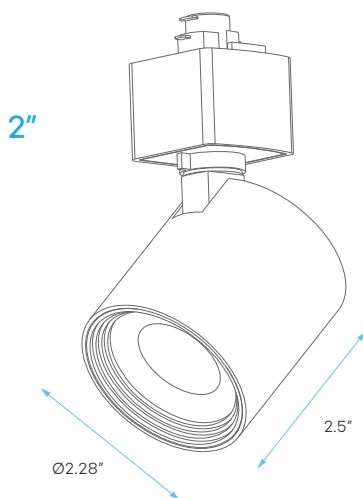
## ELECTRICAL

	MODEL	DESCRIPTION	POWER	INPUT VOLTS	EFFICACY	DIMMABLE	LIFETIME	COST/YR
2"	WHITE LR43879	LEDTR/ECO2/H/10W/5CCT/D/WT	10	120V	80	TRIAC	50,000	\$ 1.20
	BLACK LR43881	LEDTR/ECO2/H/10W/5CCT/D/BK	10	120V	80	TRIAC	50,000	\$ 1.20
	WHITE LR43882	LEDTR/ECO2/SQ/H/10W/5CCT/D/WT	10	120V	80	TRIAC	50,000	\$ 1.20
	BLACK LR43883	LEDTR/ECO2/SQ/H/10W/5CCT/D/BK	10	120V	80	TRIAC	50,000	\$ 1.20
2.5"	WHITE LR43890	LEDTR/ECO2.5/H/20W/5CCT/D/WT	20	120V	75	TRIAC	50,000	\$ 2.40
	BLACK LR43891	LEDTR/ECO2.5/H/20W/5CCT/D/BK	20	120V	75	TRIAC	50,000	\$ 2.40
3"	WHITE LR43887	LEDTR/ECO3/H/30W/5CCT/D/WT	30	120V	76	TRIAC	50,000	\$ 3.61
	BLACK LR43888	LEDTR/ECO3/H/30W/5CCT/D/BK	30	120V	76	TRIAC	50,000	\$ 3.61

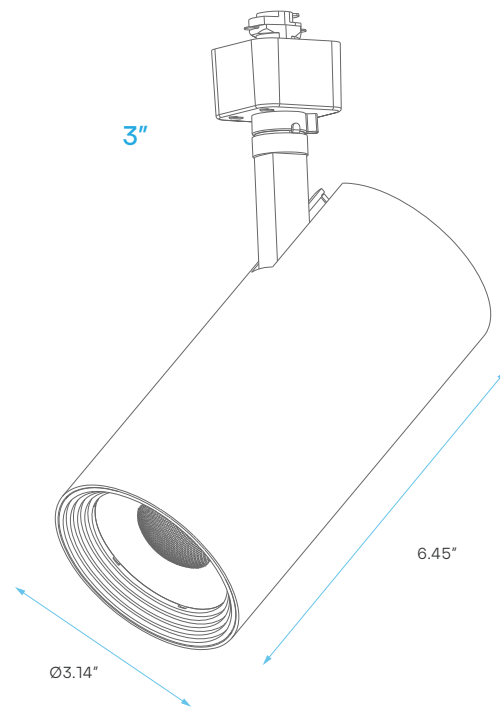
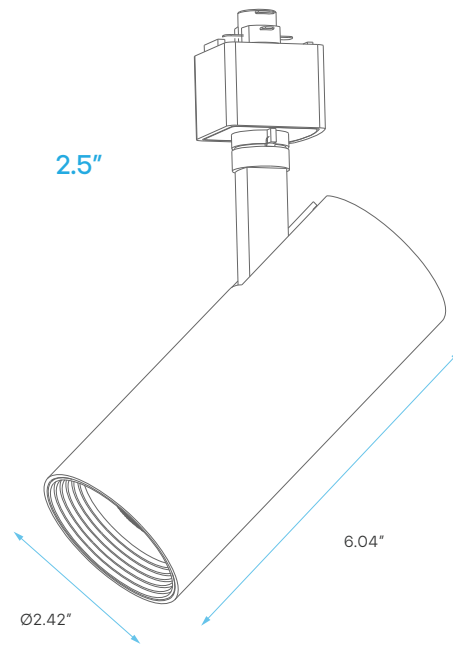
## PHOTOMETRIC

MODEL	DESCRIPTION	COLOR (CCT)	TEMP	LUMEN	FLOOD	CRI	ETL LISTED
LR43879	LEDTR/ECO2/H/10W/5CCT/D/WT	2700K/3000K/3500K/4000K/5000K	CCT SELECT	800	40°	90	YES
LR43881	LEDTR/ECO2/H/10W/5CCT/D/BK	2700K/3000K/3500K/4000K/5000K	CCT SELECT	800	40°	90	YES
LR43882	LEDTR/ECO2/SQ/H/10W/5CCT/D/WT	2700K/3000K/3500K/4000K/5000K	CCT SELECT	800	40°	90	YES
LR43883	LEDTR/ECO2/SQ/H/10W/5CCT/D/BK	2700K/3000K/3500K/4000K/5000K	CCT SELECT	800	40°	90	YES
LR43890	LEDTR/ECO2.5/H/20W/5CCT/D/WT	2700K/3000K/3500K/4000K/5000K	CCT SELECT	1500	36°	90	YES
LR43891	LEDTR/ECO2.5/H/20W/5CCT/D/BK	2700K/3000K/3500K/4000K/5000K	CCT SELECT	1500	36°	90	YES
LR43887	LEDTR/ECO3/H/30W/5CCT/D/WT	2700K/3000K/3500K/4000K/5000K	CCT SELECT	2300	36°	90	YES
LR43888	LEDTR/ECO3/H/30W/5CCT/D/BK	2700K/3000K/3500K/4000K/5000K	CCT SELECT	2300	36°	90	YES

## DIMENSIONS



## DIMENSIONS



## H-TRACK SYSTEM SINGLE CIRCUIT 3-WIRE TRACK SYSTEM ACCESSORIES

# TRACKRITE



**BLACK FINISH**

**2'**  
LR43800  
BLACK FINISH

**4'**  
LR43801  
WHITE FINISH

**6'**  
LR43806  
BLACK FINISH

**8'**  
LR43807  
WHITE FINISH

**WHITE FINISH**

**2'**  
LR43847  
BLACK FINISH

**2'**  
LR43848  
WHITE FINISH

**FLOATING CANOPY**

LR43827      LR43828

**L-CONNECTOR**

LR43836      LR43837

**T-CONNECTOR**

LR43839      LR43840

**X-CONNECTOR**

LR43842      LR43843

**STRAIGHT CONNECTOR**

LR43833      LR43834

**20' SUSPENSION KIT**

LR43850      LR43849

### AVAILABLE SYSTEM ACCESSORIES\*

**END CAP**

LR43812      LR43813

**POWER END CONNECTOR**

LR43815      LR43816

**LIVE END CONDUIT FITTER**

LR43818      LR43819

**FLEXIBLE CONNECTOR**

LR43821      LR43822

**ADJUSTABLE CONNECTOR**

LR43824      LR43825

**MINI STRAIGHT CONNECTOR**

LR43830      LR43831

**DEAD I-CONNECTOR**

LR43844      LR43845



SCAN TO EXPLORE



\*ALL ACCESSORIES ARE SOLD SEPARATELY

## SURFACE MOUNT H-TYPE SINGLE CIRCUIT 3-WIRE TRACK

\*SOLD SEPARATELY

2' - LR43800  
4' - LR43803  
6' - LR43806  
8' - LR43809

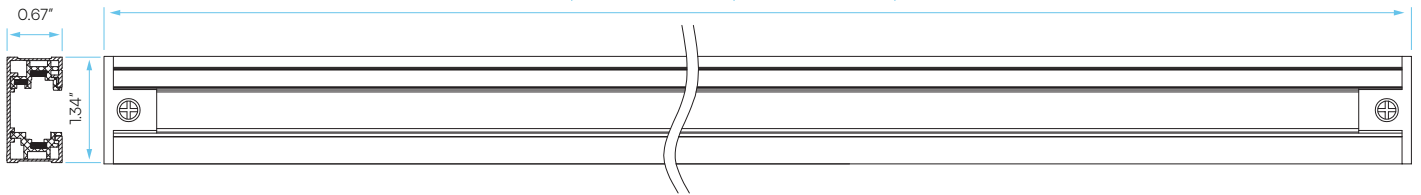


2' - LR43801  
4' - LR43804  
6' - LR43807  
8' - LR43810

	MODEL	DESCRIPTION	FINISH
2'	LR43800	LEDTR/H/3W/1C/SM/2FT/BK	BLACK
	LR43801	LEDTR/H/3W/1C/SM/2FT/WT	WHITE
4'	LR43803	LEDTR/H/3W/1C/SM/4FT/BK	BLACK
	LR43804	LEDTR/H/3W/1C/SM/4FT/WT	WHITE
6'	LR43806	LEDTR/H/3W/1C/SM/6FT/BK	BLACK
	LR43807	LEDTR/H/3W/1C/SM/6FT/WT	WHITE
8'	LR43809	LEDTR/H/3W/1C/SM/8FT/BK	BLACK
	LR43810	LEDTR/H/3W/1C/SM/8FT/WT	WHITE

INCLUDED: END CAPS (2), EXPANSION PLUGS (2), FLAT HEAD PHILLIPS SCREWS (2)

2FT=24"    4FT=48"    6FT=72"    8FT=96"



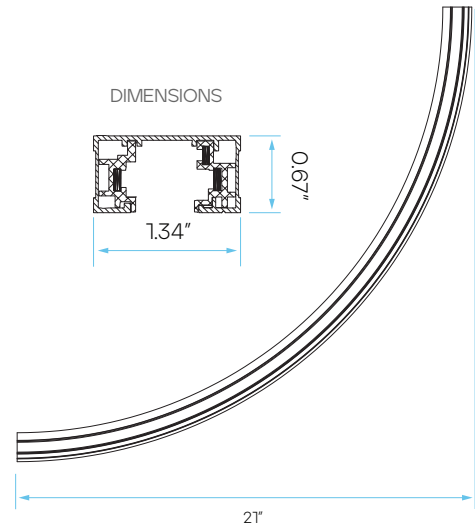
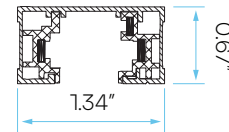
## SURFACE MOUNT H-TYPE SINGLE CIRCUIT 3-WIRE CURVED TRACK



LR43847

LR43848

DIMENSIONS



### 2' SURFACE MOUNT H-TYPE SINGLE CIRCUIT 3-WIRE TRACK

	MODEL	DESCRIPTION	FINISH
2'	LR43847	LEDTR/H/3W/1C/SM/2FTCRV/BK	BLACK
	LR43848	LEDTR/H/3W/1C/SM/2FTCRV/WT	WHITE

INCLUDED: END CAPS (2), EXPANSION PLUGS (2), FLAT HEAD PHILLIPS SCREWS (2)

## H-TRACK END CAP

\*SOLD SEPARATELY

LR43812



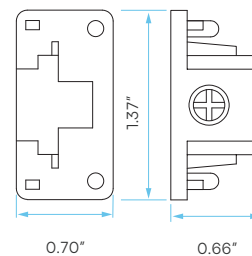
LR43813



### H-TRACK END CAP

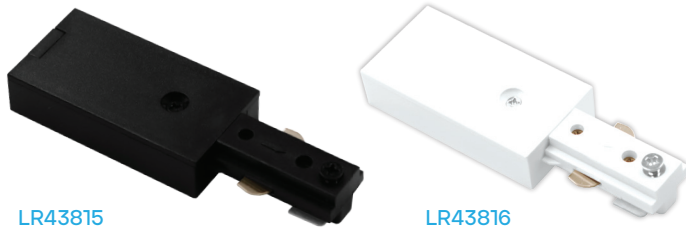
	MODEL	DESCRIPTION	FINISH
	LR43812	LEDTR/H/3W/1C/END/BK	BLACK
	LR43813	LEDTR/H/3W/1C/END/WT	WHITE

DIMENSIONS

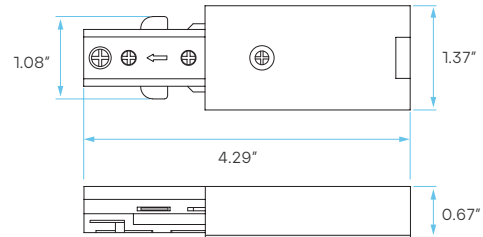


## H-TRACK POWER END CONNECTOR

\*SOLD SEPARATELY



DIMENSIONS



LR43815

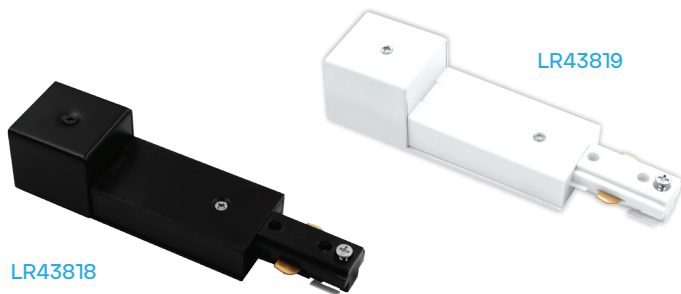
LR43816

### H-TRACK POWER END CONNECTOR

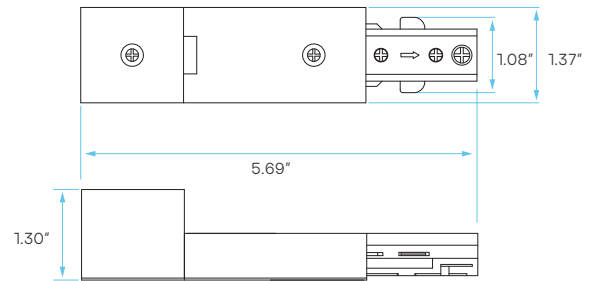
MODEL	DESCRIPTION	FINISH
LR43815	LEDTR/H/3W/1C/PEND/BK	BLACK
LR43816	LEDTR/H/3W/1C/PEND/WT	WHITE

## H-TRACK LIVE END CONDUIT FITTER

\*SOLD SEPARATELY



DIMENSIONS



LR43818

LR43819

### H-TRACK LIVE END CONDUIT FITTER

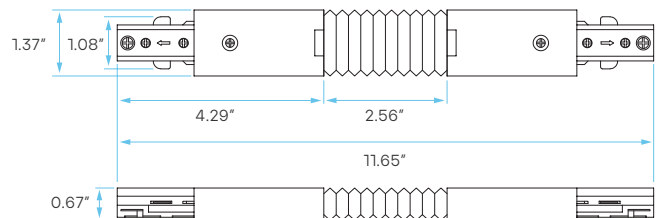
MODEL	DESCRIPTION	FINISH
LR43818	LEDTR/H/3W/1C/CPEND/BK	BLACK
LR43819	LEDTR/H/3W/1C/CPEND/WT	WHITE

## H-TRACK FLEXIBLE CONNECTOR

\*SOLD SEPARATELY



DIMENSIONS



LR43821

LR43822

### H-TRACK FLEXIBLE CONNECTOR

MODEL	DESCRIPTION	FINISH
LR43821	LEDTR/H/3W/1C/FLEX/BK	BLACK
LR43822	LEDTR/H/3W/1C/FLEX/WT	WHITE

## H-TRACK ADJUSTABLE CONNECTOR

\*SOLD SEPARATELY

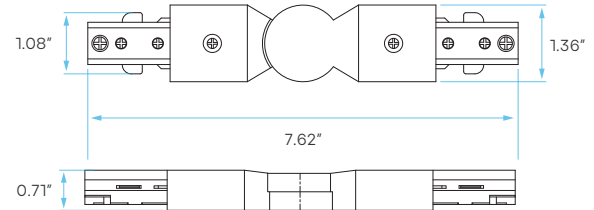


LR43824



LR43825

### DIMENSIONS



### H-TRACK ADJUSTABLE CONNECTOR

MODEL	DESCRIPTION	FINISH
LR43824	LEDTR/H/3W/1C/ADJ/BK	BLACK
LR43825	LEDTR/H/3W/1C/ADJ/WT	WHITE

## H-TRACK FLOATING CANOPY

\*SOLD SEPARATELY

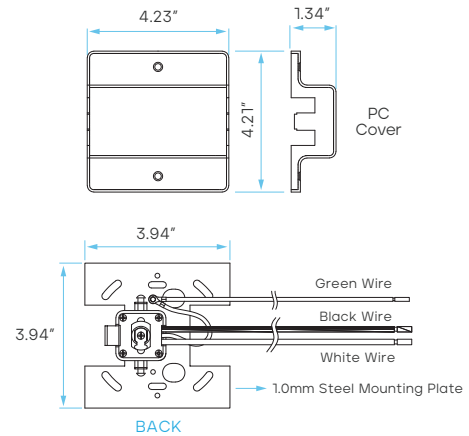


LR43827



LR43828

### DIMENSIONS



### H-TRACK FLOATING CANOPY

MODEL	DESCRIPTION	FINISH
LR43827	LEDTR/H/3W/1C/FCAN/BK	BLACK
LR43828	LEDTR/H/3W/1C/FCAN/WT	WHITE

## H-TRACK MINI-STRAIGHT CONNECTOR

\*SOLD SEPARATELY

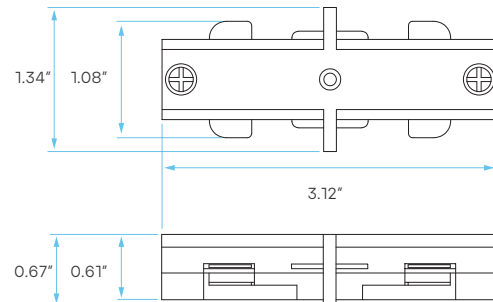


LR43830



LR43831

### DIMENSIONS



### H-TRACK MINI-STRAIGHT CONNECTOR

MODEL	DESCRIPTION	FINISH
LR43830	LEDTR/H/3W/1C/MI/BK	BLACK
LR43831	LEDTR/H/3W/1C/MI/WT	WHITE

## H-TRACK DEAD I-CONNECTOR

\*SOLD SEPARATELY

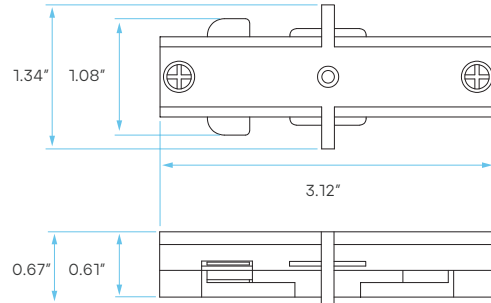


LR43844



LR43845

### DIMENSIONS



### H-TRACK DEAD I-CONNECTOR

MODEL	DESCRIPTION	FINISH
LR43844	LEDTR/H/3W/1C/DI/BK	BLACK
LR43845	LEDTR/H/3W/1C/DI/WT	WHITE

## H-TRACK STRAIGHT CONNECTOR

\*SOLD SEPARATELY

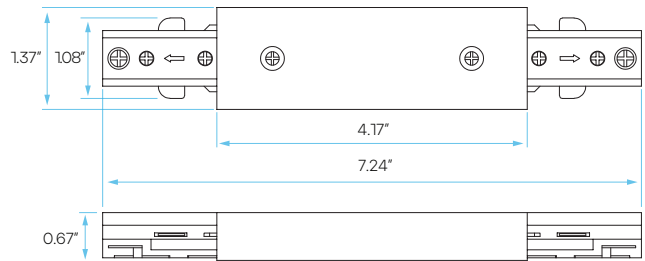


LR43833



LR43834

### DIMENSIONS



### H-TRACK STRAIGHT CONNECTOR

MODEL	DESCRIPTION	FINISH
LR43833	LEDTR/H/3W/1C/I/BK	BLACK
LR43834	LEDTR/H/3W/1C/I/WT	WHITE

## H-TRACK L-CONNECTOR

\*SOLD SEPARATELY

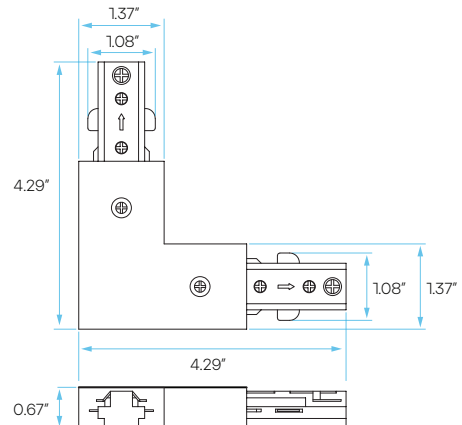


LR43836



LR43837

### DIMENSIONS



### H-TRACK L-CONNECTOR

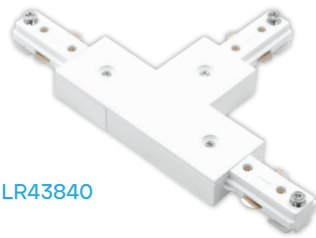
MODEL	DESCRIPTION	FINISH
LR43836	LEDTR/H/3W/1C/L/BK	BLACK
LR43837	LEDTR/H/3W/1C/L/WT	WHITE

## H-TRACK T-CONNECTOR

\*SOLD SEPARATELY

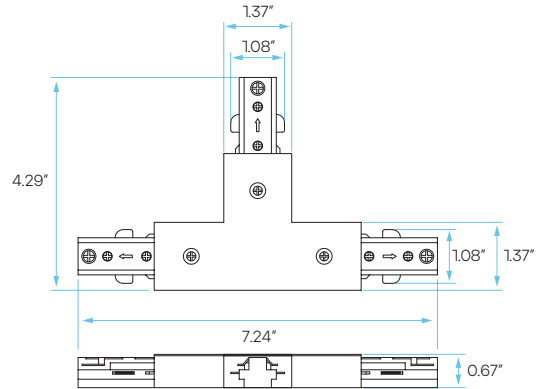


LR43839



LR43840

### DIMENSIONS

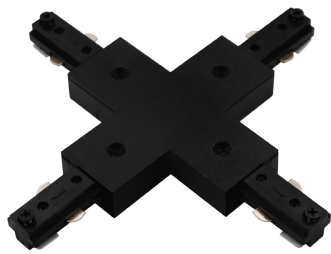


### H-TRACK T-CONNECTOR

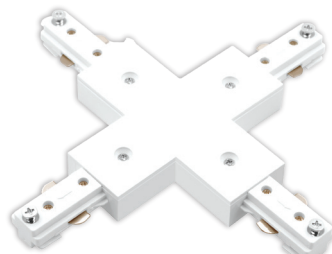
MODEL	DESCRIPTION	FINISH
LR43839	LEDTR/H/3W/1C/T/BK	BLACK
LR43840	LEDTR/H/3W/1C/T/WT	WHITE

## H-TRACK X-CONNECTOR

\*SOLD SEPARATELY

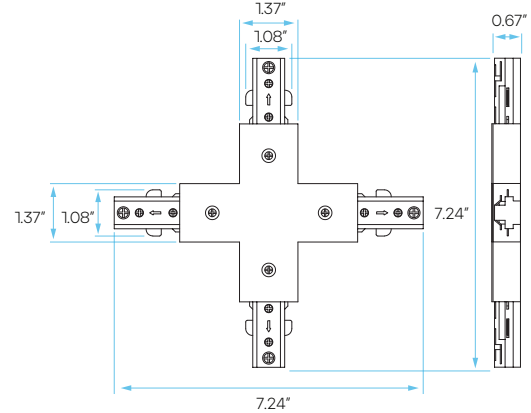


LR43842



LR43843

### DIMENSIONS



### H-TRACK X-CONNECTOR

MODEL	DESCRIPTION	FINISH
LR43842	LEDTR/H/3W/1C/X/BK	BLACK
LR43843	LEDTR/H/3W/1C/X/WT	WHITE

## H-TRACK 20' SURFACE MOUNT KIT

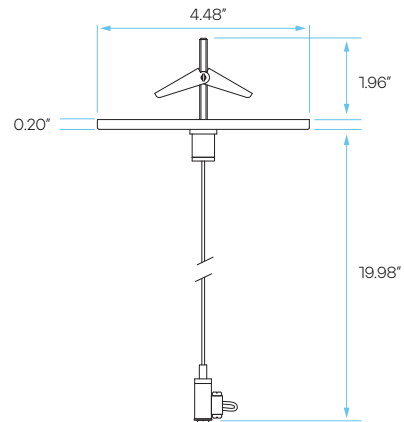
\*SOLD SEPARATELY



LR43849

LR43850

### DIMENSIONS



### SURFACE MOUNT KIT

MODEL	DESCRIPTION	FINISH
LR43849	LEDTR/H/3W/1C/S-KIT/20FT/WT	WHITE
LR43850	LEDTR/H/3W/1C/S-KIT/20FT/BK	BLACK