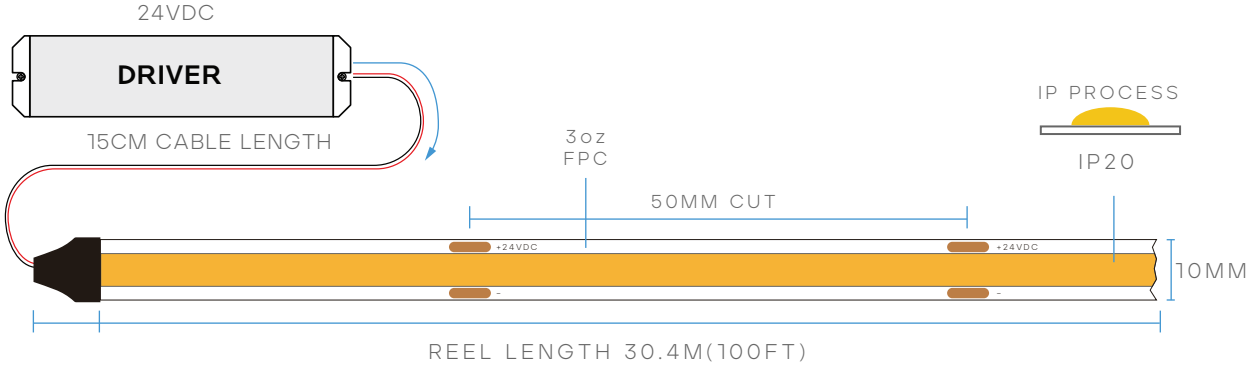


TAPERITE™ COB TAPE LIGHT



LR45153

1.5W/FT

152.4W/REEL

IP-20

CRI 90

BEAM SPREAD 135°

24V

10MM

3oz FPC

100' REEL

UL LISTED

MODEL	DESCRIPTION	COLOR (CCT)	LUMEN/FT	WATTAGE /FT	WATTAGE /REEL	EFFICACY
LR45153	LEDTL/COB/1.5W/940/IP20/24V/100FT	4000K - COOL WHITE	145	1.5W	152.5W	95lm/w

CHIP

CHIP:	CHIP ON BOARD
WIDTH:	10MM
CUT SIZE:	50MM

INSTALLATION

ADHESIVE:	9448A 3M TAPE
CABLE LENGTH:	15CM
MAX. RUN:	5M/16.4FT

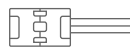
PACKAGING

CASE:	10 ROLLS
-------	----------

COMPATIBLE CONNECTORS



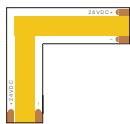
TAPE TO TAPE
LR44713 10MM
LEDTL/COB/10MM/CNCTR/T-T



TAPE TO CABLE
LR44714 10MM
LEDTL/COB/10MM/CNCTR/T-C



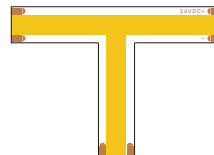
TAPE TO CABLE TO TAPE
LR44715 10MM
LEDTL/COB/10MM/CNCTR/T-C-T



LR45142 10MM
LEDTL/COB/4W/930/LEDCTR/L

LR45144 10MM
LEDTL/COB/4W/935/LEDCTR/L

LR45146 10MM
LEDTL/COB/4W/940/LEDCTR/L



LR45143 10MM
LEDTL/COB/4W/930/LEDCTR/T

LR45145 10MM
LEDTL/COB/4W/935/LEDCTR/T

LR45147 10MM
LEDTL/COB/4W/940/LEDCTR/T

COMPATIBLE CHANNELS *ALUMINUM CHANNEL REQUIRED FOR HEAT DISSIPATION

