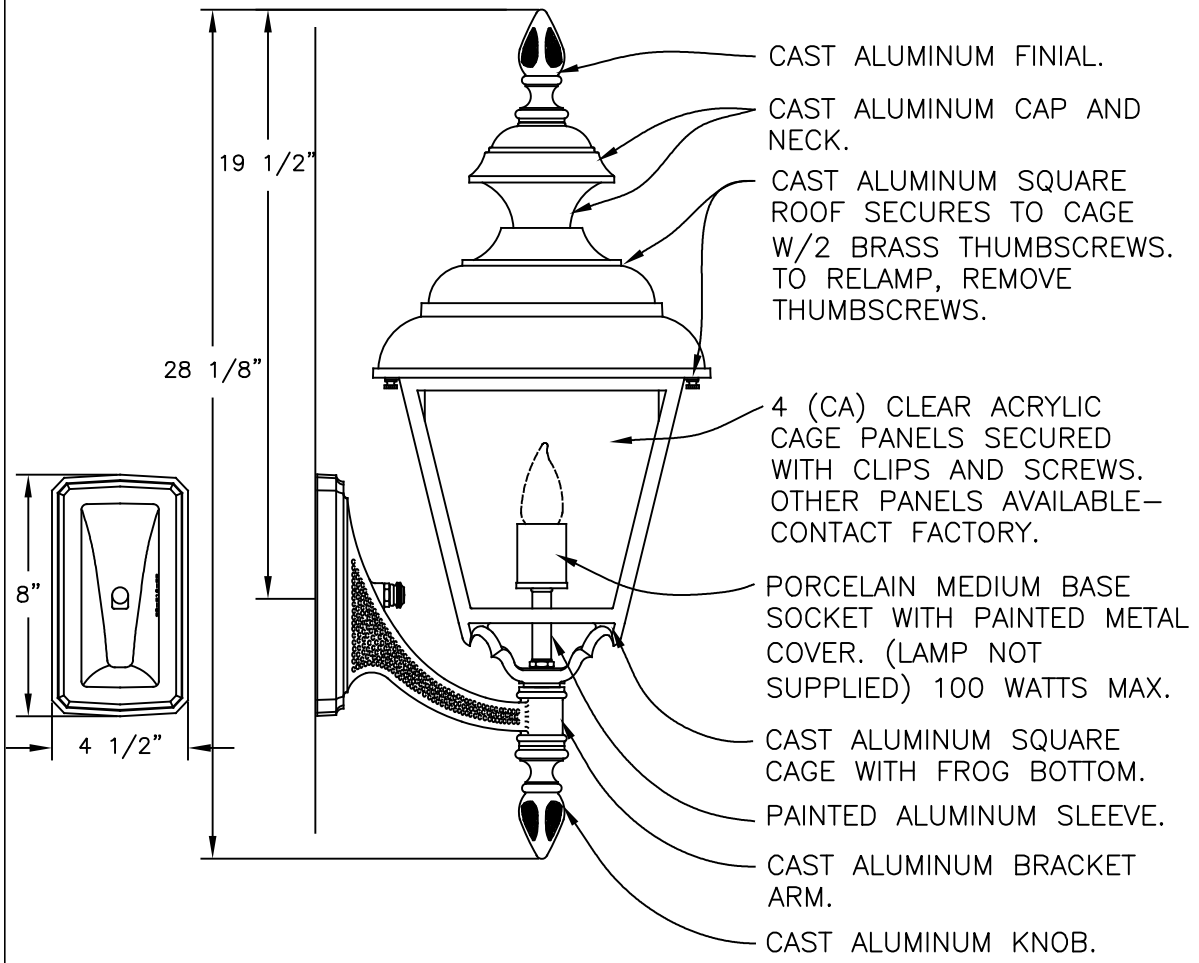


LANTERN TO BE ASSEMBLED AS SHOWN IN TOP VIEW— MOUNTED ACROSS FLATS.



LANTERN WILL BE PREWIRED AND TESTED.  
 ALL ELECTRICAL COMPONENTS ARE U.L. LISTED.  
 ALL MOUNTING HARDWARE IS SUPPLIED.

HEIGHT	28 1/8"
WIDTH	11 1/4"
PROJECTION	13"
TOP TO OUTLET	19 1/2"

Drawing for illustration only — scale approximate

	<small>425 E. MIDDLE ST. HANOVER, PA 17331          PH: (717) 632-6464 - FAX: (717) 699-2930</small>		<small>TITLE:</small> VALUE LINE™ 9900 SERIES WALL BRACKET LANTERN
	<small>SCALE:</small> 1=4	<small>DATE:</small> 02/17/05	<small>DWG BY:</small> JEK