

EMERGENCY BATTERY BACKUP LR23647 15" SLIM SERIES COMPATIBLE



15"

SIDE VIEW

INCLUDED COMPONENTS

MOUNTING PLATE

SCREWS & WIRE NUTS

COMPATIBLE WITH:

LR23557

POWER

30W

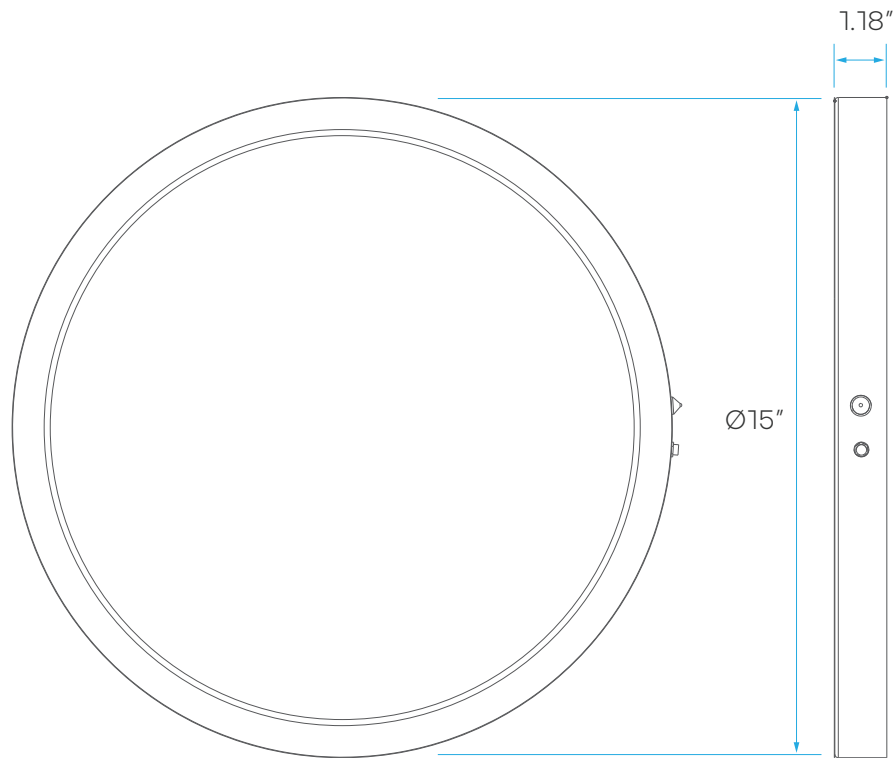
90 MIN
EMERGENCY
TIME

24 HR
RECHARGE
TIME

SPECIFICATIONS

MODEL	DESCRIPTION	POWER	DIMENSIONS	TEST BUTTON	EMERGENCY TIME	INDICATOR LIGHT	RECHARGE TIME	SWITCHING TIME
LR23647	LED30/SLIM15/RD/EMPK	30	Ø15" x 1.18"	YES	90 MINS	YES	24 HRS	<1 SECOND

DIMENSIONS



INSTALLATION

