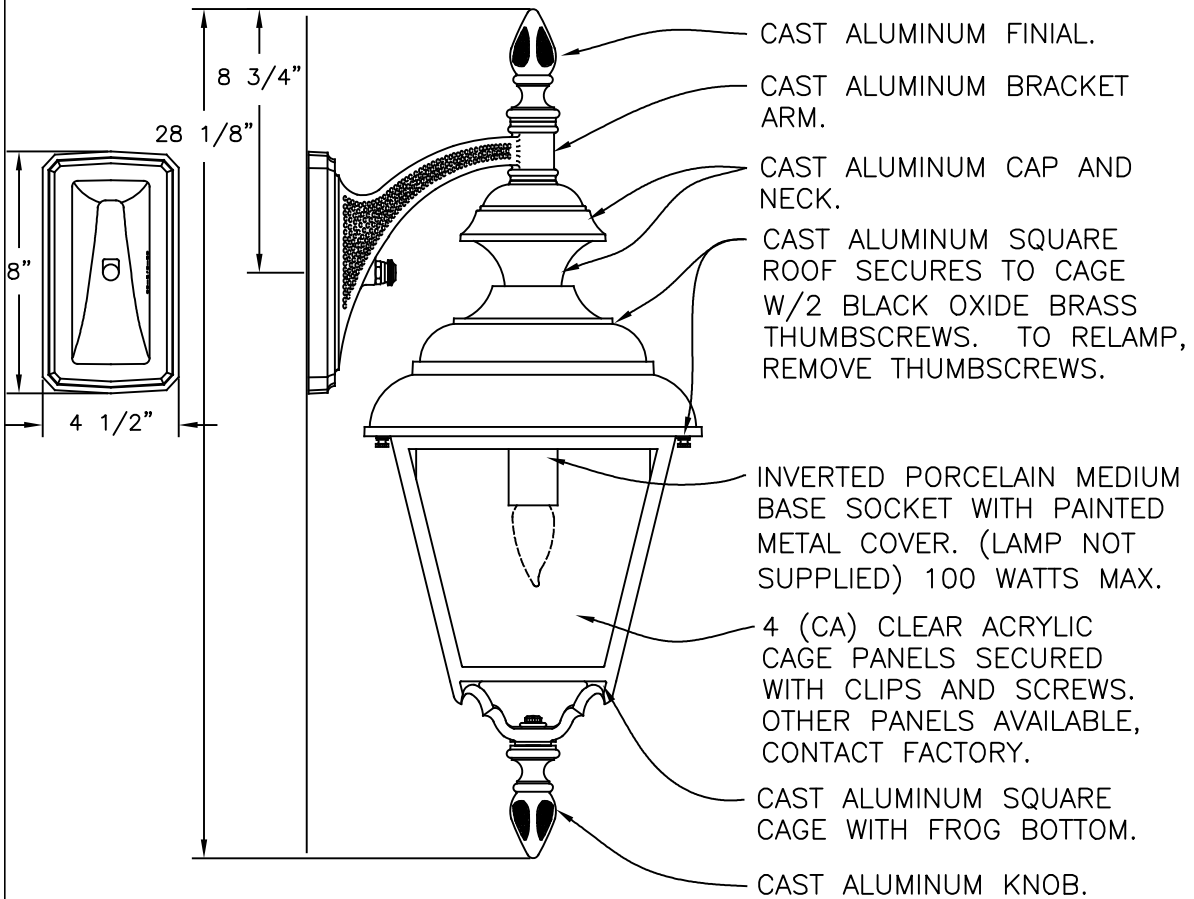


11 1/4" SQUARE
 LANTERN TO BE ASSEMBLED AS SHOWN IN TOP VIEW— MOUNTED ACROSS FLATS.



CAST ALUMINUM FINIAL.
 CAST ALUMINUM BRACKET ARM.
 CAST ALUMINUM CAP AND NECK.
 CAST ALUMINUM SQUARE ROOF SECURES TO CAGE W/2 BLACK OXIDE BRASS THUMBSCREWS. TO RELAMP, REMOVE THUMBSCREWS.
 INVERTED PORCELAIN MEDIUM BASE SOCKET WITH PAINTED METAL COVER. (LAMP NOT SUPPLIED) 100 WATTS MAX.
 4 (CA) CLEAR ACRYLIC CAGE PANELS SECURED WITH CLIPS AND SCREWS. OTHER PANELS AVAILABLE, CONTACT FACTORY.
 CAST ALUMINUM SQUARE CAGE WITH FROG BOTTOM.
 CAST ALUMINUM KNOB.

LANTERN IS PREWIRED AND TESTED.
 ALL ELECTRICAL COMPONENTS ARE U.L. LISTED.
 ALL MOUNTING HARDWARE SUPPLIED.

HEIGHT	28 1/8"
WIDTH	11 1/4"
PROJECTION	13"
TOP TO OUTLET	8 3/4"

Drawing for illustration only - scale approximate

Hanover
LANTERN
 425 E. MIDDLE ST. HANOVER PA 17331
 PH: (717) 632-6464 - FAX: (717) 989-2930

SCALE:	DATE:	DWG BY:	DWG. NO.
1=4	02/17/05	JEK	B9973

TITLE: "VALUE LINE"
 9900 SERIES
 WALL BRACKET
 LANTERN