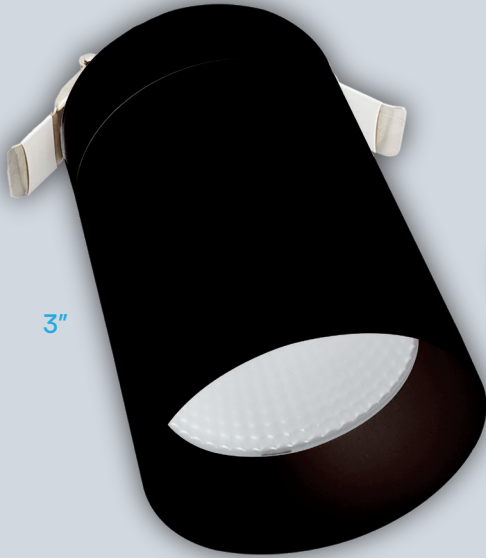


## CYLINDER

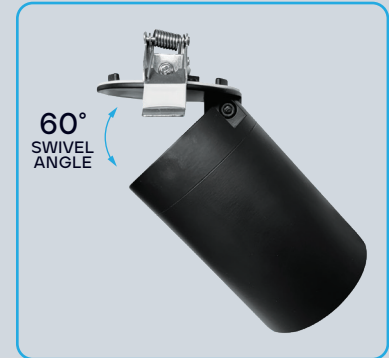
### LED ADJUSTABLE CYLINDER LIGHT - 5 CCT SELECTABLE 3" - 60° TILT



LR43705  
BLACK FINISH



LR43700  
WHITE FINISH



LR43708  
24° FLOOD LENS  
AVAILABLE\*  
\*SOLD SEPARATELY



COLOR SELECTABLE

2700K 3000K 3500K 4000K 5000K

DIMMABLE



IC RATED



120V



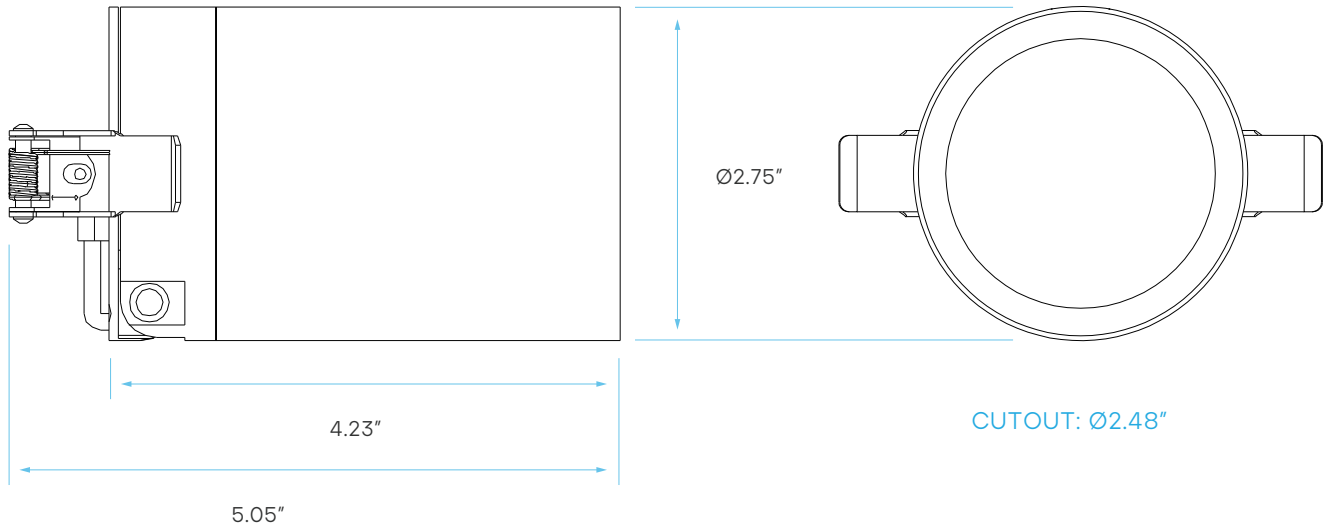
#### ELECTRICAL

	MODEL	DESCRIPTION	POWER	INPUT VOLTS	EFFICACY	DIMMABLE	LIFETIME	COST/YR
3"	WHITE LR43700	LED/ACYL3/15W/FL38/5CCT/D/WT	15	120V	67	TRIAC	50,000	\$ 1.80
	BLACK LR43705	LED/ACYL3/15W/FL38/5CCT/D/BK	15	120V	67	TRIAC	50,000	\$ 1.80

#### PHOTOMETRIC

MODEL	DESCRIPTION	COLOR (CCT)	TEMP	LUMEN	FLOOD	CRI	ETL LISTED	PLATE (KNOCKOUT)
LR43700	LED/ACYL3/15W/FL38/5CCT/D/WT	2700K/3000K/3500K/4000K/5000K	CCT SELECT	1000	38°	90	YES	LR41011 (#0)
LR43705	LED/ACYL3/15W/FL38/5CCT/D/BK	2700K/3000K/3500K/4000K/5000K	CCT SELECT	1000	38°	90	YES	

## DIMENSIONS



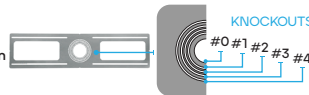
## COMPATIBILITY

COMPATIBLE WITH:

**LR35126**  
Emergency LED Driver



**LR41011**  
New Construction Mounting Plate



**KNOCKOUT SIZE**

#0	Ø2.48" (Ø63 mm)
#1	Ø2.83" (Ø72 mm)
#2	Ø3.34" (Ø85 mm)
#3	Ø3.74" (Ø95 mm)
#4	Ø4.25" (Ø108 mm)