

LR24927

LED/RMP3/5CCT/TL/RD/WT



| | |
|--------------|---------------------------|
| APERTURE | 3" |
| DISTRIBUTION | FIXED |
| APPLICATION | NEW CONSTRUCTION/TRIMLESS |

ELECTRICAL

| | |
|---------------------------------------|---------|
| POWER | 10W |
| INPUT VOLTS | 120V |
| INPUT CURRENT | 83 |
| FREQUENCY | 50/60Hz |
| DIMMING TYPE | TRIAC |
| DIMMING RANGE | 10-100% |
| FEED WIRE GAUGE | 18AWG |
| BREAKER SPECIFICATION *(15A @120V) | 119pcs* |

*Mathematically estimated value. Actual capacity may vary by breaker type and installation environment.

PHOTOMETRIC

| | |
|------------|-------------------------------|
| COLOR CCT | 2700K/3000K/3500K/4000K/5000K |
| CRI | 90 |
| LUMEN | 750lm |
| EFFICACY | 75lm/w |
| BEAM ANGLE | 110° |

CERTIFICATIONS & SAFETY

| | |
|-----------------|---------------|
| LR24927 | ETL |
| IP RATING | IP54 |
| WET LOCATION | YES |
| IC RATED | YES |
| AIR TIGHT | YES |
| OPERATING TEMP. | -4°F to 104°F |
| COST/YR | \$ 1.20 |
| WARRANTY | 5 YR |

MATERIAL & APPLICATION

| | |
|---------------------|-------------------------|
| HEAT SINK | DIE-CAST ALUMINUM |
| TRIM | ALUMINUM |
| LENS | ACRYLIC |
| CUTOUT | Ø3.23" |
| MOUNTING TYPE | TRIMLESS |
| AREA OF APPLICATION | RESIDENTIAL, COMMERCIAL |
| CEILING TYPE | DRYWALL |

DRIVER

| | POWER | INPUT VOLTS | INPUT CURRENT | FREQUENCY | INPUT POWER | OUTPUT VOLTAGE | DIMENSIONS | KNOCKOUTS |
|-----------------|-------|-------------|---------------|-----------|-------------|----------------|--------------------------|-----------|
| INCLUDED DRIVER | 10W | 120V | 83mA | 50/60Hz | 10W max | 36V DC | 3.84"L X 2.46"W X 1.51"H | 4 |

| MODEL | DESCRIPTION | EM POWER | INPUT VOLTS | INPUT CURRENT | FREQUENCY | INPUT POWER | OUTPUT VOLTAGE | RECHARGE TIME | EMERGENCY TIME |
|-----------|---------------------|----------|-------------|---------------|-----------|-------------|----------------|---------------|----------------|
| LR35126** | LED/EMR/15W/AC/SF/E | 15 | 100-347V | 100mA | 50/60Hz | 12W max | 170V DC | 24HR | 90MINS |

*AMBIENT TEMPERATURE: 41°F ~ 122°F
**SOLD SEPARATELY

DIMENSIONS

MODULE + MESH
CUTOUT: Ø3.23"

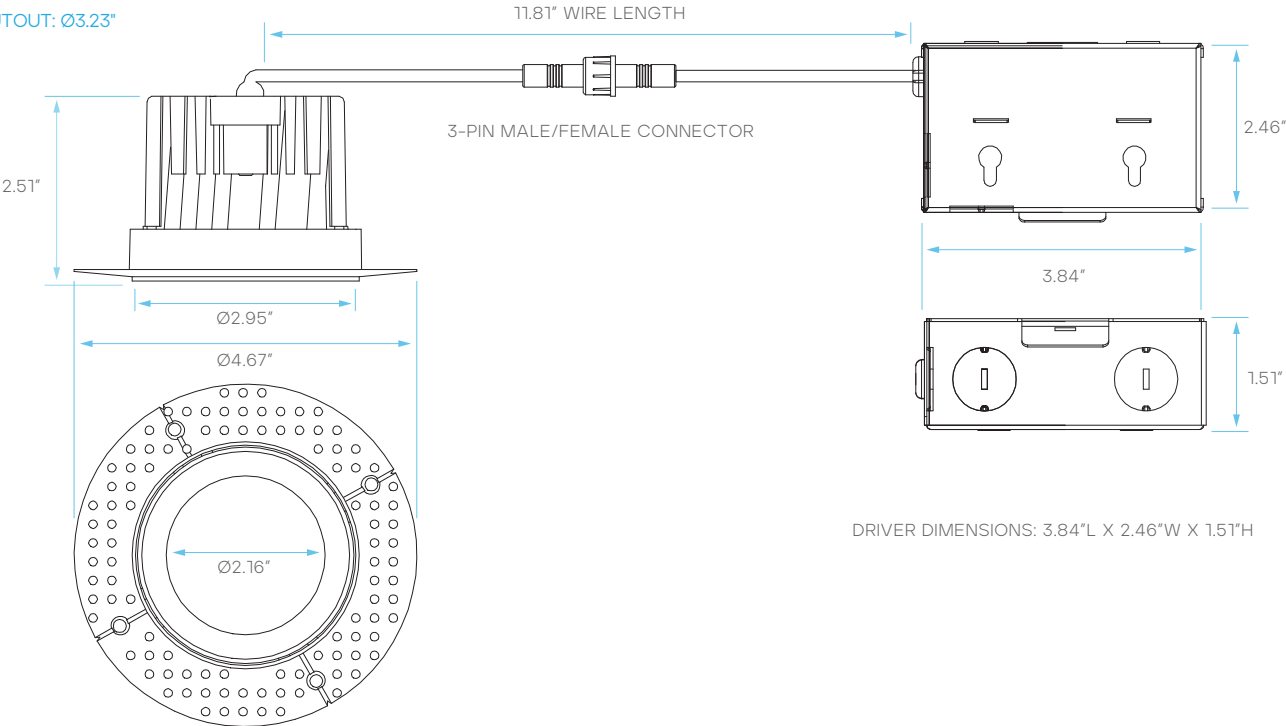
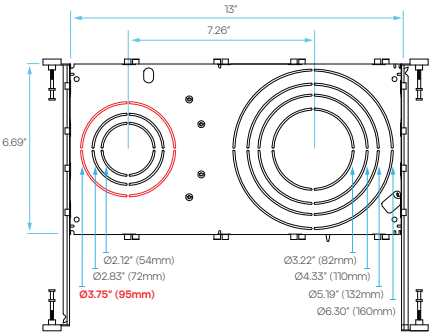


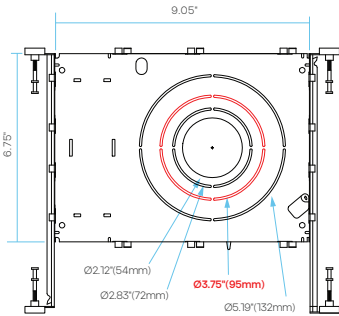
PLATE COMPATIBILITY*

*SOLD SEPARATELY

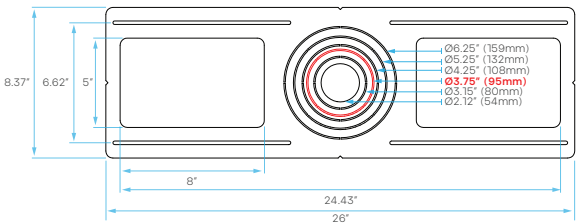
LR41010
KNOCKOUT
L2



LR41004
KNOCKOUT
2



LR41006
KNOCKOUT
2



LR41011
KNOCKOUT
3

