

# JB-Series | E-Series

Constant Voltage Electronic LED Driver  
 Phase-Cut | Zone Multi-Channel Dimming

## Specification Sheet

The Junction Box (JB) Series delivers a multi-channel, specification grade solution for Class 2 LED drivers, perfect product for multi-output residential and commercial lighting applications.

### Key Features

#### Professional Appearance

- Covered, ventilated enclosure
- Fits between standard wall studs
- Can be surface mounted or recessed into finished walls
- Recessed cover option hides seams for clean installation

#### Saves Time

- Drivers installed and pre-wired
- Reduces installation time - adding profitability
- Future maintenance access with ease

#### Safety Matters

- Assembly is UL listed, and Class 2 rated
- Simple post-work inspection

### Specification Overview

- Integrated junction box with multiple 1 1/8" knockouts
- Class 2 LED drivers
- Phase-cut dimmable down to 1% with forward phase TRIAC dimmers
- Zone dimming and switching capable for all channels
- Input: 120VAC, 50/60Hz
- Output: 24 VDC or 12 VDC
- UL listed dry location
- UL2108 CSA C22.2 No. 250.0-08 certifications
- 5-year warranty

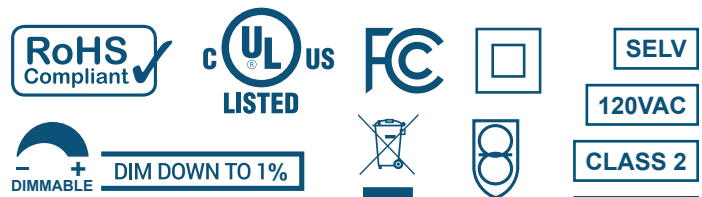


4 Channel



5 to 9 Channel

**Note:** All driver input wires (L/N/G) are home runs to line voltage compartment.



E-Series is also available in:

- E-Series UL with Junction Boxes
- E-Series UL without Junction Boxes
- EZJ E-Series

Please refer to [www.magnitudeinc.com](http://www.magnitudeinc.com) for more details.

### ORDERING GUIDE

Type	No. of Channels	Driver Series	Max Power Per Channel	Driver Type	Output	Mounting	Finish
JBZN	4 — 4 channel	E — E-Series	60 — 60W	R — Recognized	12 — 12VDC	R — Recessed	W — White
	5 — 5 channel		96 — 96W		24 — 24VDC	S — Surface	
	6 — 6 channel						
	7 — 7 channel						
	8 — 8 channel						
	9 — 9 channel						

# JB-Series | E-Series

Constant Voltage Electronic LED Driver  
Phase-Cut | Zone Multi-Channel Dimming

## Specification Sheet

SPECIFICATIONS		
MAX LOAD	60W	96W
<b>INPUT</b>		
Input Voltage Range	120VAC ± 10%	120VAC ± 10%
Input Frequency	50 / 60Hz	50 / 60Hz
Input Current	0.61A Max per Channel	0.85A Max per Channel
Efficiency	>90% Max	>90% Max
Power Factor	0.95	0.95
Input Terminal Wire Gauge Range	12 to 26 gauge	12 to 26 gauge
<b>OUTPUT (Per Channel)</b>		
Max Load	60W	96W
Output Voltage @ Max Load	12.0 VDC	24.0 VDC
Output Current @ Max Load	5A	4.1A
Output Terminal Wire Gauge Range	12 to 26 gauge	12 to 26 gauge
<b>ENVIRONMENTAL</b>		
Operating Temperature	-30°C to +40°C (-22°F to 104°F)	-30°C to +40°C (-22°F to 104°F)
<b>DIMMING</b>		
Minimum Dimming Level	1%	1%
<b>PROTECTION</b>		
Circuit Breaker	Short Circuit & Over Voltage Auto-Reset	Short Circuit & Over Voltage Auto-Reset
<b>APPROVAL MARKINGS</b>		
Certificates / Approval Signs	UL2108	UL2108

	4 Channel	
	Surface Mount	Recessed Mount
<b>Length</b>	16.85" (427.99mm)	17.83" (453.0mm)
<b>Width</b>	14" (355.6mm)	15" (381.0mm)
<b>Depth</b>	4.17" (106.0mm)	4.17" (106.0mm)

	5 to 9 Channel	
	Surface Mount	Recessed Mount
<b>Length</b>	33.70" (855.98mm)	34.70" (881.0mm)
<b>Width</b>	14" (355.6mm)	15" (381.0mm)
<b>Depth</b>	4.17" (106.0mm)	4.17" (106.0mm)

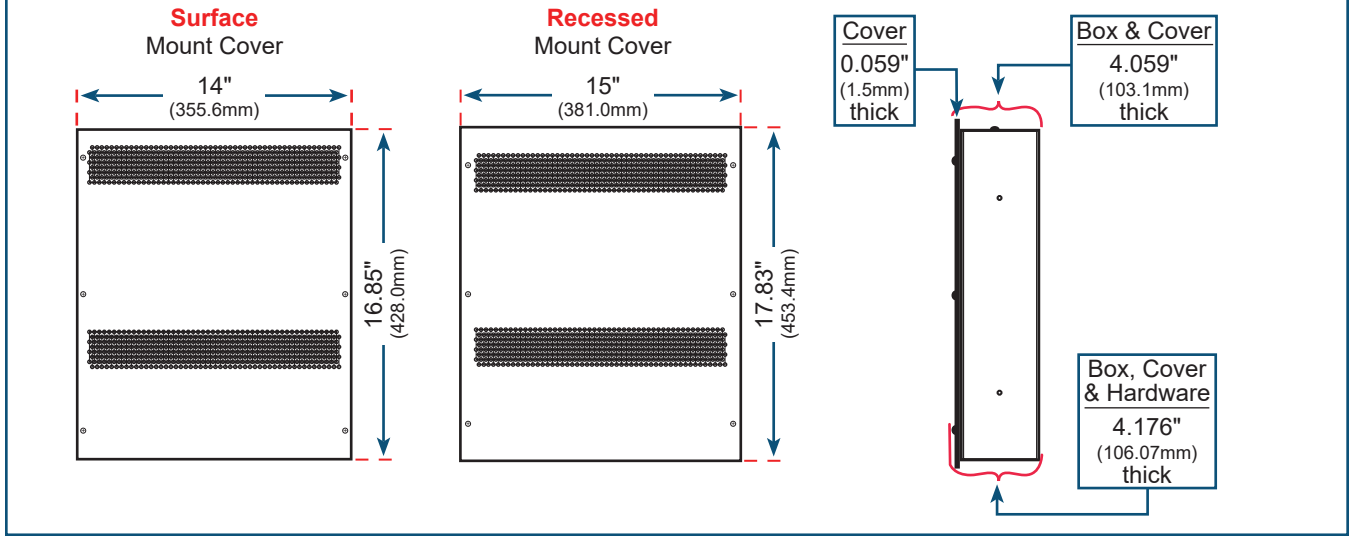
# JB-Series | E-Series

Constant Voltage Electronic LED Driver  
Phase-Cut | Zone Multi-Channel Dimming

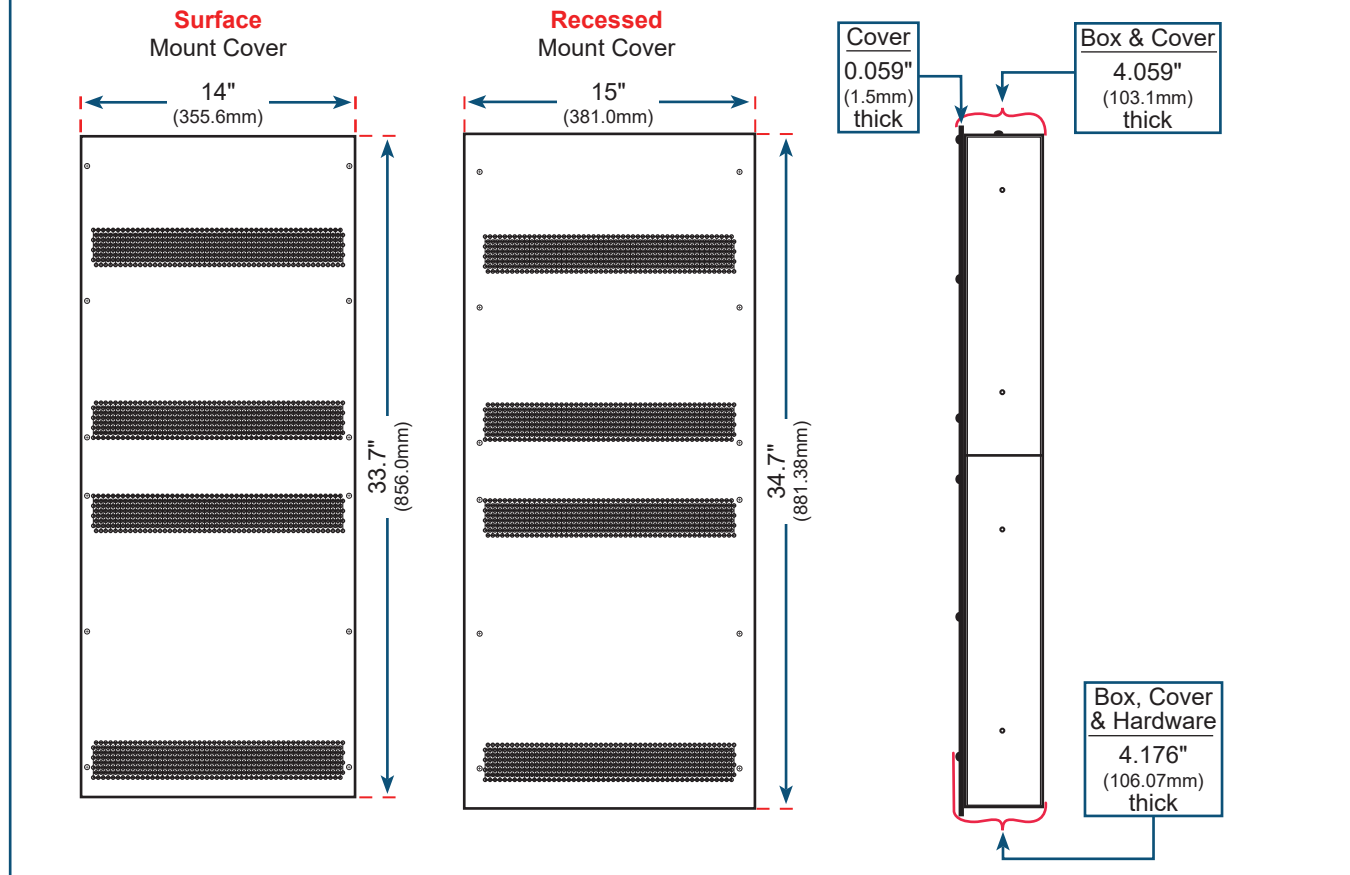
## Specification Sheet

### MECHANICAL DIAGRAMS

#### 4 Channel



#### 5 to 9 Channel

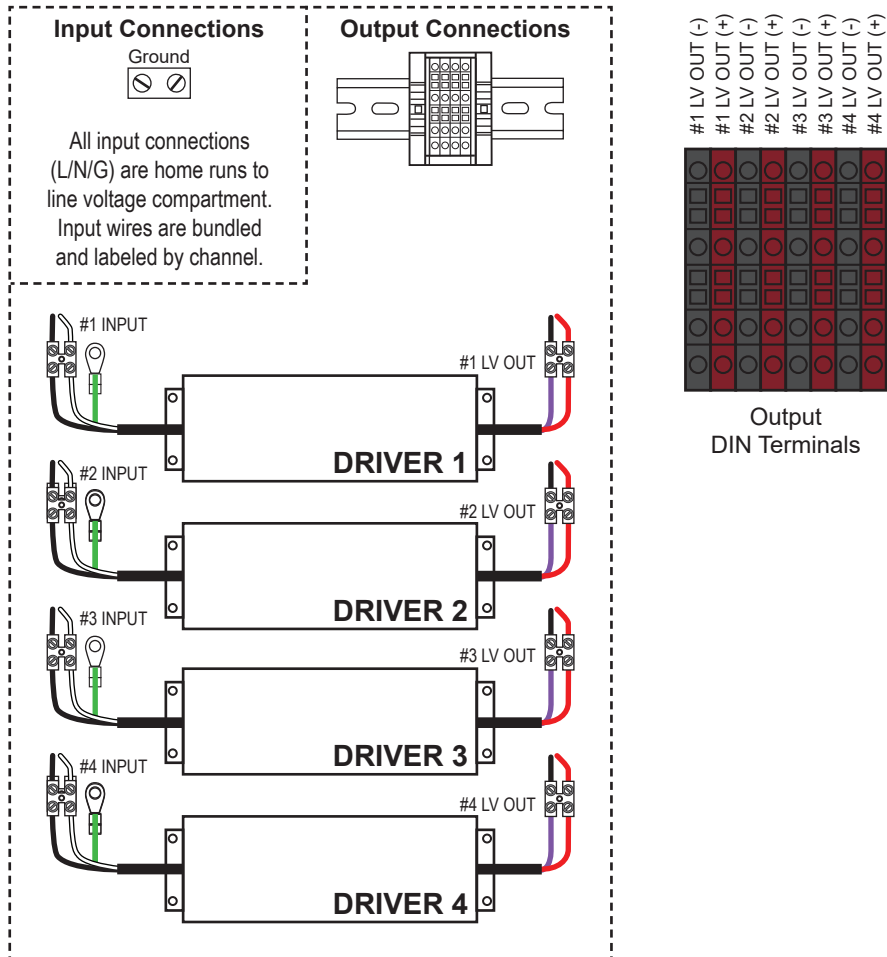


# JB-Series | E-Series

Constant Voltage Electronic LED Driver  
Phase-Cut | Zone Multi-Channel Dimming

## Specification Sheet

### WIRING DIAGRAM | 4 CHANNEL



#### NOTES

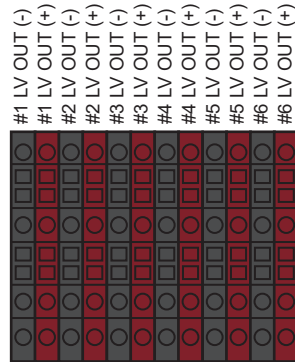
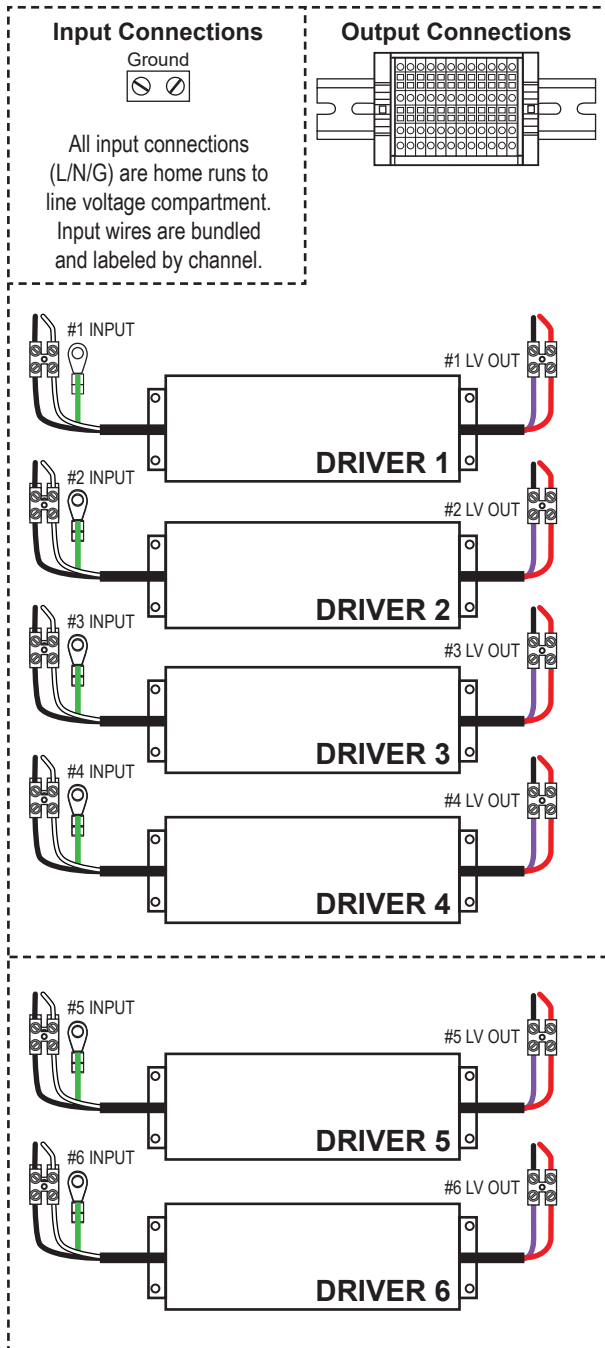
- Input and output terminal blocks accept 12 to 26 gauge wire
- Output connections from driver for 12 volt is **blue** and 24 volt is **purple**

# JB-Series | E-Series

Constant Voltage Electronic LED Driver  
Phase-Cut | Zone Multi-Channel Dimming

## Specification Sheet

### WIRING DIAGRAM | 5 to 9 CHANNEL



Output DIN Terminals

#### NOTES

- Wiring diagram for 6 channel shown, typical for 7 to 9 channel versions
- Input and output terminal blocks accept 12 to 26 gauge wire
- Output connections from driver for 12 volt is blue and 24 volt is purple