

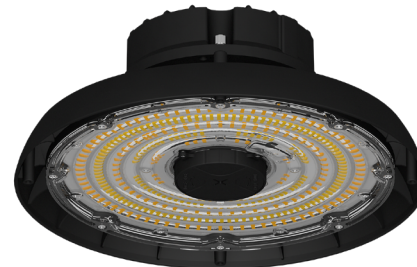
Project Name:	Part Number:	Type:
---------------	--------------	-------

# RB4

## ROUND HIGH BAY

### FEATURES

- IP65 Rated & NSF Listed Round High Bay
- 14,000 – 34,000 Lumens with lumen selectable options
- 3500K, 4000K & 5000K CCT Selectable via Center Selector
- White or Black Powder coated die-cast aluminum housing
- Plug & Play Center Mounted Sensor Option
- IK10 impact rated primary polycarbonate lens
  - Clear (std.)
  - Frosted (optional)
- Optional Diffusers
  - 16" Shallow Frosted Acrylic
  - 16" or 22" Deep Frosted Acrylic
  - 16" Unfinished or Powdercoat Aluminum Reflector
- 6ft Cord (std.)
- Mounting Options
  - Cable
  - Hook (std.)
  - Pendant (3/4" Hub with PEN or FMB Option)
  - Surface Mount
- Safety hook with 2' galvanized safety cable standard
- Damp & Wet Location 347/480V & Emergency Options
- 120-277V Universal Voltage (std.)
- 6kV Surge Protection
- 0-10V Dimmable with Sensor (100% - 10%)
- >80 Color Rendering Index (CRI)
- Calculated L70 >100,000 Hours @ 25°C per TM-21-11
- Ambient Temperature Range -40°F-122°F
- 5 Year Warranty (std); 10 Year Warranty Optional
- ETL Listed for Damp and Wet Locations



407-478-3759  
www.ilp-inc.com

Product Overview



SCAN ME  
or Click Here

### SUITABLE APPLICATIONS

- Food Processing
- Warehouses
- Distribution Centers
- Wet Locations
- Gymnasiums
- Manufacturing Plants



### ORDERING GUIDE:

SERIES	LUMENS	DRIVER	CCT	FINISH	PRIMARY LENS	NSF	WARRANTY
<b>RB4</b>	<b>14L/21L/28L</b>	<b>U</b> 120-277V	<b>CCTS</b> 35/40/50	<b>WHT</b> White	<b>BLANK</b> Clear Lens (included)	<b>BLANK</b> No NSF Listing	<b>BLANK</b> 5 Year
Round	<b>14L</b>	<b>HVD</b> 347-480V <sup>1,3,9</sup>	CCT Selectable	<b>BLK</b> Black	<b>FRL</b> Frosted Lens	<b>NSF</b> NSF Listed	<b>10YR<sup>2</sup></b> 10 Year
High Bay	<b>21L</b>	<b>HVW</b> 347-480V <sup>1,4,9</sup>					
	<b>28L</b>						
	<b>34L</b>						

#### FACTORY INSTALLED OPTIONS

<b>EM/D</b> <sup>3,5,9,15</sup>	20W Battery Backup for Damp Locations
<b>EM/W</b> <sup>4,5,9,16</sup>	Battery Backup for Wet Locations
<b>FMB</b> <sup>3,17</sup>	Fixture Mounting Box
<b>DIMx</b> <sup>14,18</sup>	Separate Cord for 0-10V dimming wires with control from external signal; Separate Cord Matches Fixture Finish (x=Length; 6, 10, 15, 20)
<b>Cx/4W</b> <sup>19</sup>	4 Conductor Cord; Cord matches finish (x=Length; 10, 15, 20)
<b>Cx/3W/L715P</b>	3 Conductor cord w/ 277V Plug (x=Length; 6, 10, 15, 20)
<b>Cx/3W/515P</b> <sup>3</sup>	Cord w/ 120V; Cord matches finish (x=Length; 6, 10, 15, 20)
<b>Cx/3W</b>	3 Conductor Cord; Cord matches finish (x=Length; 10, 15, 20)
<b>Cx/5W</b> <sup>19</sup>	5 Conductor Cord; Cord Matches Finish (x=Length; 6, 10, 15, 20)
<b>Cx/6W</b> <sup>19</sup>	6 Conductor Cord; Cord Matches Finish (x=Length; 6, 10, 15, 20)

#### SHIP WITH ACCESSORIES

<b>+RB4-HB5</b>	5ft Aircraft Cable Suspension Kit
<b>+RB4-HB10</b>	10ft Aircraft Cable Suspension Kit
<b>+RB4-HB5-SS</b>	5ft Stainless Aircraft Cable Suspension Kit
<b>+RB4-HB10-SS</b>	10ft Stainless Aircraft Cable Suspension Kit
<b>+RB4-SMB/xxx</b>	Surface Mount Bracket (xxx=Finish;WHT or BLK)
<b>+RB4-RED1/2</b> <sup>11</sup>	1/2" Pendant Adapter
<b>+RB4-PEN/xxx</b>	3/4" Pendant Mounting Kit (xxx=Finish;WHT or BLK)
<b>+RB4/S/KIT</b> <sup>6,13</sup>	Field Installable Microwave Sensor
<b>+RB4-S/RC</b>	Remote Control for Sensor (1 needed per site)
<b>+RB4-FMB</b> <sup>3,17</sup>	Fixture Mounting Box

#### SHIP WITH DIFFUSERS/SHIELDING

<b>+RB4-AD-14L-21L</b>	16" Shallow Acrylic Diffuser (14L or 21L)	<b>+RB4-DAD22-LGL</b> <sup>8</sup>	22" Deep Acrylic Diffuser (28L, 34L, & 14L/21L/28L)
<b>+RB4-AD-LGL</b>	16" Shallow Acrylic Diffuser (28L, 14L/21L/28L, or 34L)	<b>+RB4-CL16</b> <sup>10</sup>	16" Frosted Conical Bottom Lens
<b>+RB4-REFL-14L-21L</b> <sup>8,13</sup>	16" Aluminum Reflector (14L or 21L)	<b>+RB4-CL22</b> <sup>8,10</sup>	22" Frosted Conical Bottom Lens (Use with DAD22)
<b>+RB4-REFL-LGL</b> <sup>8,13</sup>	16" Aluminum Reflector (28L, 14L/21L/28L, or 34L)	<b>+RB4-WC/FULL-xxL</b> <sup>8,10,12,13</sup>	16" or 22" Full Wire Cage (Diffuser and bottom lenses) (xxL = fixture size; 14L, 21L, or LGL)
<b>+RB4-REFL/xxx-14L-21L</b> <sup>8,13</sup>	16" Aluminum Reflector (14L or 21L) (xxx = Finish; BLK or WHT)	<b>+RB4-WC</b> <sup>7,10,12,13</sup>	16" Wire Cage
<b>+RB4-REFL/xxx-LGL</b> <sup>8,13</sup>	16" Aluminum Reflector (28L, 14L/21L/28L, or 34L) (xxx = Finish; BLK or WHT)	<b>+RB4-WC22</b> <sup>7,8,12,13</sup>	22" Wire Cage (Use with DAD22)
<b>+RB4-DAD-14L-21L</b>	16" Deep Acrylic Diffuser (14L or 21L)		
<b>+RB4-DAD-LGL</b>	16" Deep Acrylic Diffuser (28L, 14L/21L/28L, or 34L)		
<b>+RB4-DAD22-14L-21L</b> <sup>8</sup>	22" Deep Acrylic Diffuser (14L or 21L)		

<sup>1</sup> Only available with Lumen Selectable and 34L models. See line drawing on page 5  
<sup>2</sup> Contact Factory for more details  
<sup>3</sup> Does not maintain IP rating or NSF listing  
<sup>4</sup> Option maintains IP65 Rating and NSF Listing  
<sup>5</sup> Not Available with HV Drivers  
<sup>6</sup> Requires +RB4-S/RC for alternate programming of sensor (1 needed per site)  
<sup>7</sup> Cannot be used with CL option  
<sup>8</sup> Long lead time item, please consult factory  
<sup>9</sup> Not available with HB5 or HB10; Requires PEN/xxx for pendant mounting  
<sup>10</sup> Must be used with AD, REFL, or DAD accessories  
<sup>11</sup> Must be used with +RB4-PEN/xxx Option  
<sup>12</sup> WC and WC/FULL does not qualify for NSF  
<sup>13</sup> Sensor cannot be used with REFL and WC options  
<sup>14</sup> Not available with Lumen Selectable Model 14L/21L/28L  
<sup>15</sup> Only available with 14L/21L/28L  
<sup>16</sup> Only available with dedicated 14L, 21L, 28L, or 34L Lumen Packages. Will utilize 28L/34L Housing size; See page 5 for more details  
<sup>17</sup> Can't be used with SMB, HB, EM, & HV options; Requires PEN/xxx for pendant mounting  
<sup>18</sup> Can't be used with Lumen Selectable, EM, HV, or FMB options  
<sup>19</sup> Only available with EM, HV, or FMB options



# ROUND HIGH BAY



## QUICK SHIP ITEMS:

SERIES	LUMENS	DRIVER	CCTS	FINISH	NSF	WARRANTY
RB4 Round High Bay	14L/21L/28L 14L 21L 28L 34L	U 120-277V	CCTS 35/40/50 CCT Selectable	WHT White BLK Black	BLANK No NSF Listing NSF NSF Listed	BLANK 5 Year 10 YR <sup>1</sup> 10 Year

### SHIP WITH ACCESSORIES

- +RB4-AD-14L-21L 16" Shallow Acrylic Diffuser (14L or 21L)
- +RB4-AD-LGL 16" Shallow Acrylic Diffuser (28L, 14L/21L/28L, or 34L)
- +RB4-REFL-14L<sup>4,5</sup> 16" Aluminum Reflector (14L)
- +RB4-REFL-LGL<sup>4,5</sup> 16" Aluminum Reflector (21L, 28L, 14L/21L/28L, or 34L)
- +RB4-HB5 5ft Aircraft Cable Suspension Kit
- +RB4-HB10 10ft Aircraft Cable Suspension Kit
- +RB4-RED1/2<sup>3</sup> 1/2" Pendant Adapter
- +RB4-PEN/xxx 3/4" Pendant Mounting Kit (xxx=Finish;WHT or BLK)
- +RB4/S/KIT<sup>2</sup> Field Installable Microwave Sensor
- +RB4-S/RC Remove Control For Sensor
- +RB4-DAD-14L-21L 16" Deep Acrylic Diffuser (14L or 21L)
- +RB4-DAD-LGL 16" Deep Acrylic Diffuser (28L, 14L/21L/28L, or 34L)

<sup>1</sup> Contact Factory for more details  
<sup>2</sup> Requires +RB4-S/RC for alternate programming of sensor (1 needed per site)  
<sup>3</sup> Must be used with +RB4-PEN/xxx Option  
<sup>4</sup> Long lead time item, please consult factory  
<sup>5</sup> Sensor cannot be used with REFL and WC options

## LED SYSTEMS INFO

LED SYSTEMS INFORMATION <sup>1</sup>		Diffuser/ Shielding	3500K		4000K		5000K		Wattage <sup>2</sup>	Replaces	DLC
Part Numbers	Lens		Lumens	Efficacy	Lumens	Efficacy	Lumens	Efficacy			
RB4-14L/21L/28L	Clear (BLANK)	(BLANK)	27762	139.3	30580	161	29179	147.2	198	400W HID	Premium
	FRL	(BLANK)	25925	130.1	28557	150.4	27248	137.5			Standard
	Clear (BLANK)	AD	27125	136.1	29878	157.3	28509	143.9			Premium
	FRL	AD	24490	124.9	26976	144.4	25740	132			Premium
RB4-14L	Clear (BLANK)	(BLANK)	13775	135.9	14740	152.1	14478	143.7	102	250W HID	Premium
	FRL	(BLANK)	12525	121.7	13796	140.7	13164	128.6			Standard
	Clear (BLANK)	AD	12963	127.9	14279	147.9	13625	135.2			Premium
	FRL	AD	11638	113.1	12819	130.7	12232	119.5			Standard
RB4-21L	Clear (BLANK)	(BLANK)	20150	138.8	21540	153.1	21179	146.6	147	400W HID	Premium
	FRL	(BLANK)	18030	122.8	19860	142	18950	129.8			Standard
	Clear (BLANK)	AD	19260	130.6	21215	150.9	20243	138			Premium
	FRL	AD	16490	112.3	18255	129.7	17419	118.6			Standard
RB4-28L	Clear (BLANK)	(BLANK)	27863	143	30691	165.3	29285	151.2	195	400W HID	Premium
	FRL	(BLANK)	23365	119.9	25737	138.6	24558	126.8			Standard
	Clear (BLANK)	AD	27216	139.8	29986	161.5	28612	147.7			Premium
	FRL	AD	22150	113.7	24398	131.4	23280	120.2			Standard
RB4-34L	Clear (BLANK)	(BLANK)	32730	140.5	36930	165.3	34770	150.3	232	400-600W HID	Premium
	FRL	(BLANK)	28459	122.6	32225	144.2	30340	131.1			Standard
	Clear (BLANK)	AD	31690	137.3	34580	156.9	33971	146.8			Premium
	FRL	AD	26900	116.2	29670	134.7	28273	122.9			Standard

<sup>1</sup> Values are nominal, see IES file for more detail  
<sup>2</sup> Electrical data at 25C (77F). Actual wattage may differ by +/-10%.  
<sup>3</sup> All SKUs may not be DLC Listed, check QPL

### Electrical Data (Amps)\*

Lumen Package	Wattage	120V	208V	240V	277V	347V	480V
14L	102.0	0.85 A	0.49 A	0.43 A	0.37 A	0.29 A	0.21 A
21L	147.0	1.23 A	0.701 A	0.61 A	0.53 A	0.42 A	0.31 A
28L	195.0	1.63 A	0.94 A	0.82 A	0.70 A	0.56 A	0.41 A
34L	232.0	1.93 A	1.12 A	0.97 A	0.84 A	0.67 A	0.48 A
14L/21L/28L	198.0	1.65 A	0.95 A	0.83 A	0.71 A	0.57 A	0.41 A

\*Electrical Data at 25C(77F). Actual wattage may differ by +/- 10%.



# ROUND HIGH BAY

AMBIENT TEMPERATURE RANGE							
Part Numbers	Lens/Diffuser Options	Standard	EM/W	EM/D	NSF-EM/W	HV	NSF-HV
RB4-14L RB4-21L RB4-28L	Clear	-40°F - 122°F	N/A	N/A	N/A	N/A	N/A
	AD		N/A	N/A	N/A	N/A	N/A
	FRL		N/A	N/A	N/A	N/A	N/A
	FRL-AD		N/A	N/A	N/A	N/A	N/A
RB4-34L	Clear	-40°F - 113°F	32°F - 91°F	N/A	32°F - 90°F	-40°F - 122°F	-40°F - 122°F
	AD	-40°F - 113°F	32°F - 91°F	N/A	32°F - 90°F	-40°F - 122°F	-40°F - 122°F
	FRL	-40°F - 113°F	32°F - 91°F	N/A	32°F - 90°F	-40°F - 122°F	-40°F - 122°F
	FRL-AD	-40°F - 113°F	32°F - 91°F	N/A	32°F - 90°F	-40°F - 122°F	-40°F - 122°F
RB4-14L/21L/28L	Clear	-40°F - 122°F	32°F - 102°F	32°F - 105°F	32°F - 91°F	-40°F - 117°F	-40°F - 117°F
	AD	-40°F - 122°F	32°F - 102°F	32°F - 105°F	32°F - 91°F	-40°F - 117°F	-40°F - 117°F
	FRL	-40°F - 122°F	32°F - 102°F	32°F - 105°F	32°F - 91°F	-40°F - 117°F	-40°F - 117°F
	FRL-AD	-40°F - 122°F	32°F - 102°F	32°F - 105°F	32°F - 91°F	-40°F - 117°F	-40°F - 117°F

## SPECIFICATIONS

### CONSTRUCTION

The RB4 High Bay features a cold forged die-cast aluminum housing available in 3 different sizes for a fully scalable solution. The fully gasketed housing is IP65 rated for whole luminaire ingress protection against moisture and environmental contaminants. The RB4 is protected with a durable White or Black polyester powder coat finish to withstand extreme weather changes without cracking or peeling. Salt Spray tested for 500 hrs.

### ELECTRICAL

Class 1 High-performance drivers features over-voltage, under-voltage, short circuit and over temperature protection. 0-10V dimming (10% - 100%) standard with sensor option. Standard Universal Voltage (120-277 Vac) Input 50/60 Hz or optional High Voltage (347-480 Vac). L70 >100,000 hrs. in accordance with IESNA TM-21-11 projected values at 25°C Ambient temperature. Total harmonic distortion: <20%. Power factor: >0.90. Input power stays constant over life. Minimum 6kV surge rating meets a minimum Category C Low operation (per ANSI/IEEE C62.41.2). Battery backup provides 90 minutes of constant power to the LED system, ensuring code compliance. 6ft 3-Wire Power Cord included with alternate lengths and plugs available. DIMx option allows for 0-10V Dimming from external signal. Cords match paint finish.

### INSTALLATION

Options include hook (std), suspension aircraft cables (HB5/HB10), 1/2" single pendant (Requires PEN (3/4") or FMB (Recommend PEN as alternate for general pendant Mount; FMB for Flex conduit wiring) options option or power cables will run outside pendant conduit, MUST ORDER WITH CORD LONG ENOUGH FOR PENDANT LENGTH), and surface mount (SMB). Safety hook with 2' galvanized safety cable standard.

### WARRANTY

5 Year Warranty Standard; 10 Year Warranty Optional ([Terms and Conditions apply](#)).

### OPTICS

All models come standard in 5000K, 4000K, and 3500K field selectable color temperatures per ANSI C78.377. Minimum CRI of 80. Provided standard with an IK10 impact rated primary clear polycarbonate lens. Optional IK10 impact rated primary frosted polycarbonate lens available for added LED glare reduction. Optional 16" or 22" frosted acrylic diffusers & 16" or 22" aluminum reflector available. 16" or 22" frosted conical lens options for added diffusion.

### THERMAL

The RB4 features an array of High-efficacy LED's mounted on a metal core circuit board. The LED boards are mounted directly to the cast aluminum housing with heat dissipating fins to provide excellent thermal performance extending the life of electronic components. See ambient temperature table above.

### CONTROLS

Optional center mounted field installable sensor provides a clean appearance and ensures a balanced fixture. Sensor Plug & Plays via 3.5MM jack and is programmable (Remote ordered separately) . Sensor operations include: On/Off, Bi-Level Dimming, High-End Trim and Daylight Harvesting.

### CERTIFICATIONS

ETL Listed for wet locations. Tested in accordance with IESNA LM-79 and LM-80 standards. RoHS Compliant. Title 24 Compliant; see local ordinance for qualification information. IP65 rated Luminaire per IEC 60598. ASTM B117 Salt Spray Tested 500 Hrs. NSF Rated. IK10 Impact Rating (Primary lens). DesignLights Consortium® (DLC) Premium & Standard qualified product. Not all versions of this product may be DLC qualified. Please check the DLC Qualified Products List at [www.designlights.org/](http://www.designlights.org/) QPL to confirm which versions are qualified.

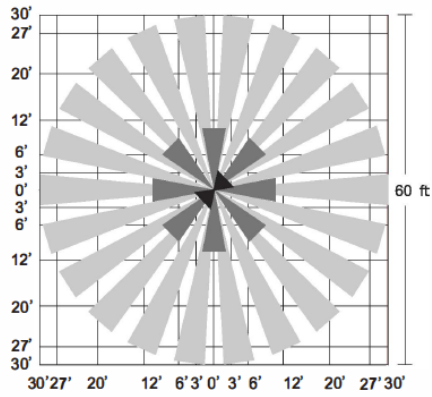
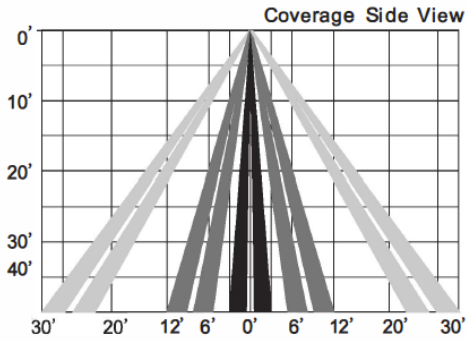
## ROUND HIGH BAY

### CONTROLS OPTIONS

#### BASIC

##### +RB4/S/KIT

Optional center mounted field installable sensor provides a clean appearance and ensures a balanced fixture. Sensor Plug & Plays via 3.5MM jack and is remote programmable. Sensor operations include: On/Off, Bi-Level Dimming, High-End Trim and Daylight Harvesting.



Factory Default Setting: 100% sensitivity. Hold on time: 5min, Daylight sensor is ON, Dimming level: 30% Dimming time: 60 minutes.

## ROUND HIGH BAY

### OPTIONS



**+RB4-AD**

16" Shallow Acrylic Diffuser.  
Ship with accessory.



**+RB4-DAD**  
**+RB4-DAD22**

16" or 22" Deep Acrylic Diffuser.  
Ship with Accessory.



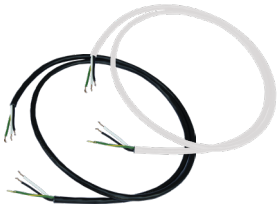
**+RB4-CL16**  
**+RB4-CL22**

16" or 22" Frosted Conical Bottom Lens.  
Must be used with AD, DAD, or REFL options.  
Ship with accessory.  
Shown with AD Lens.



**+RB4-REFL**  
**+RB4-REFL/BLK**  
**+RB4-REFL/WHT**

Aluminum Reflector.  
Ship with accessory.



**Cx/3W**  
**Cx/4W**

3 or 4 Conductor Cords available in 10', 15', & 20' (Inquire for additional options). 6ft cord included (Plug ordered Separately; Damp location only). Cord matches fixture finish.



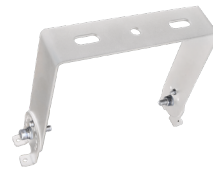
**+RB4-RED1/2**

1/2" Pendant to 3/4" Adapter.  
Use with PEN/XXX when utilizing a 1/2" Pendant stem.



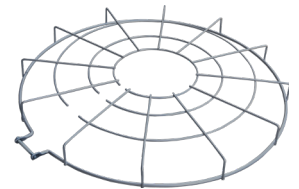
**+RB4-HB5**  
**+RB4-HB10**

5ft or 10ft Aircraft Cable Suspension Kit. SS option available for Stainless Steel. Ship with accessory.



**+RB4-SMB**

Surface Mount Bracket.  
Ship with accessory.



**+RB4-WC**  
**+RB4-WC22**

16" or 22" Wire Cage. Can only be used with AD, DAD, or REFL options.  
Ship with accessory.



**+RB4-PEN**

Single point mounting to accept a 3/4" conduit. Cord required for full length of pendant stem (6' standard, additional lengths sold separately).



**HV-NSF, HV/W, HV/D**

347-480V High Voltage Driver Option for wet locations.



**EM/W**

120-277V Universal Driver & 20W battery backup options for wet locations.



**EM/D**

120-277V Universal Driver & 20W battery backup options for damp locations. Only available with 14L/21L/28L Models



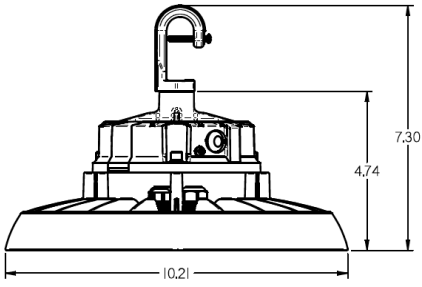
**NSF-EM/W**

120-277V Universal Driver & 30W battery backup options for wet locations.

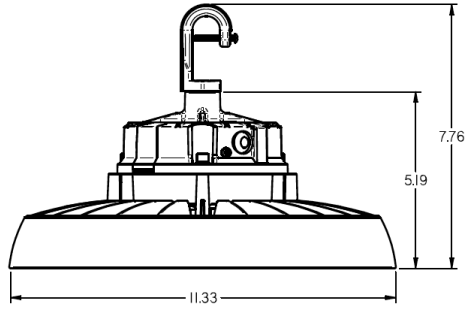
## ROUND HIGH BAY

### LINE DRAWINGS

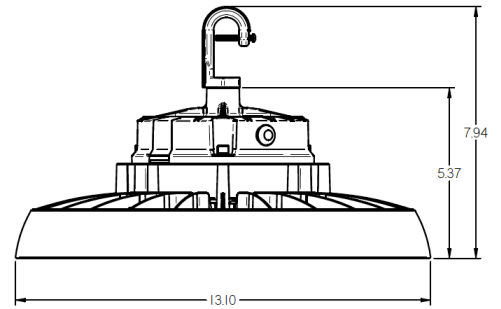
14L Side View



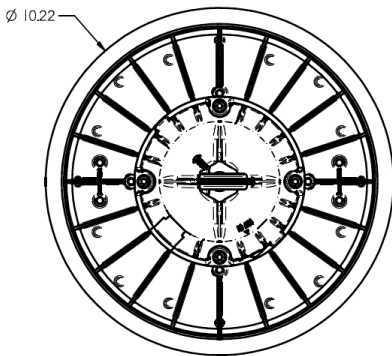
21L Side View



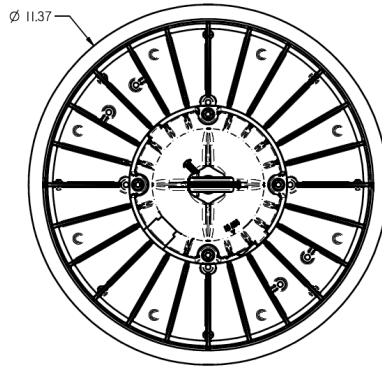
28L,34L, 14L/21L/28L Side View



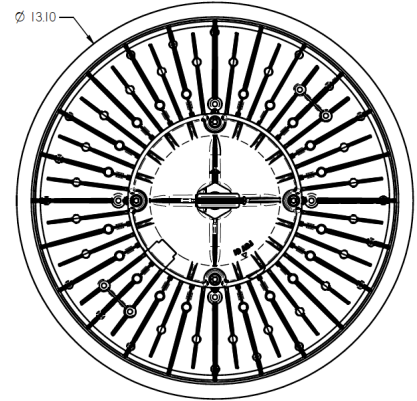
14L Top View



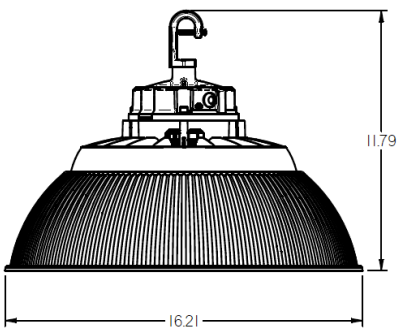
21L Top View



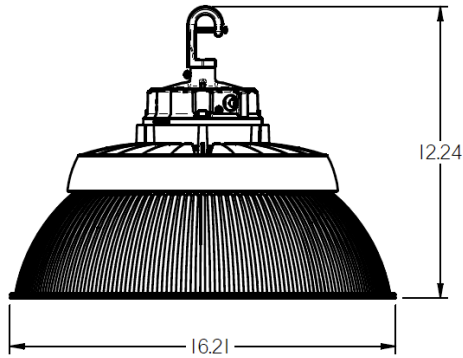
28L,34L, 14L/21L/28L Top View



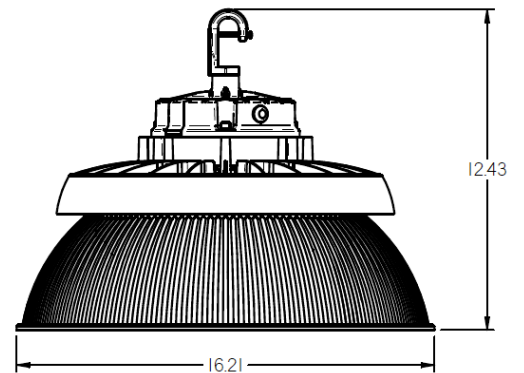
14L with AD



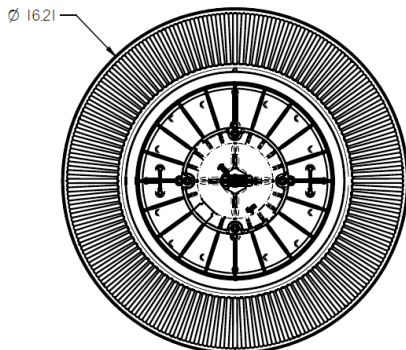
21L with AD



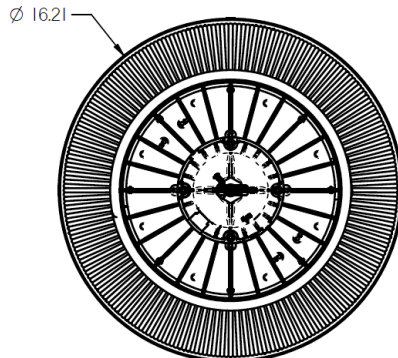
28L,34L, 14L/21L/28L with AD



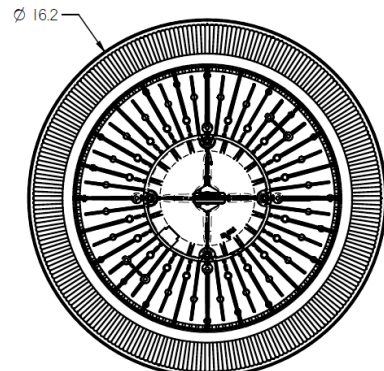
14L Top View with AD



21L Top View with AD

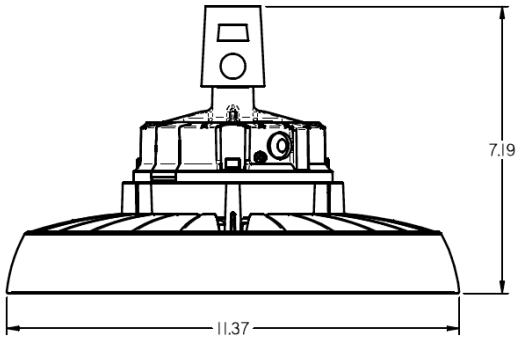


28L,34L, 14L/21L/28L Top View with AD

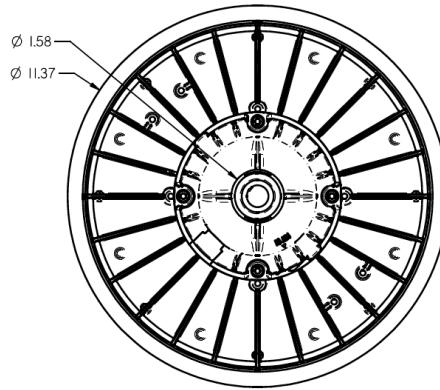


## ROUND HIGH BAY LINE DRAWINGS

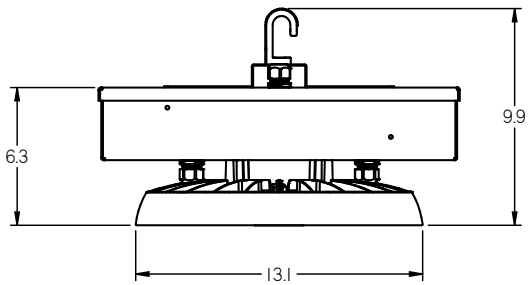
PEN Option shown with RB4-21L



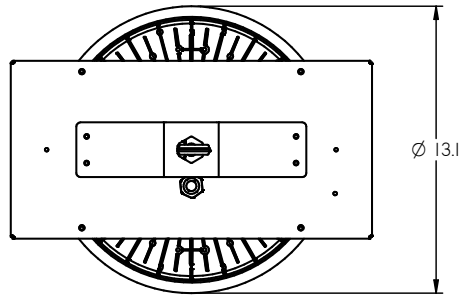
PEN Option Top View - Shown with RB4-21L



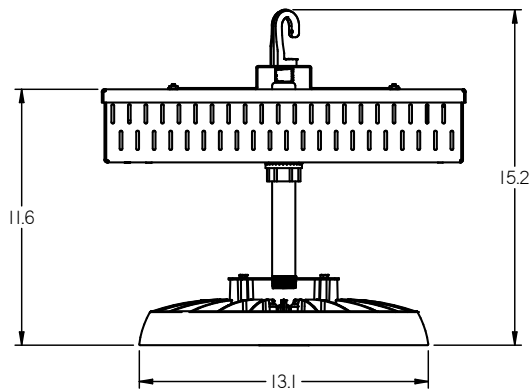
HV-NSF, HV/W, HV/D Housing



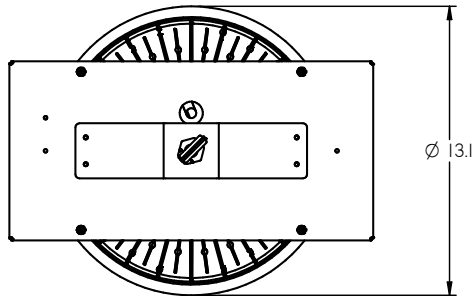
HV/NSF, HV/W, HV/D Housing Top View



EM/D Housing - Shown with RB4-14L/21L/28L



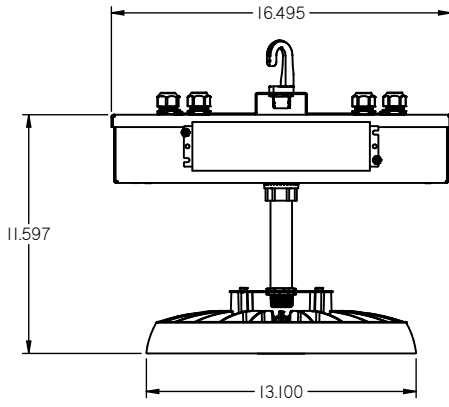
EM/D Housing Top View - Shown with RB4-14L/21L/28L



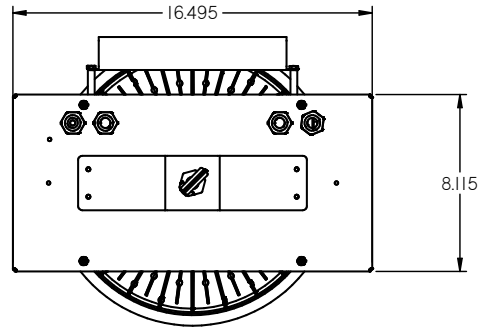
# RB4

## ROUND HIGH BAY

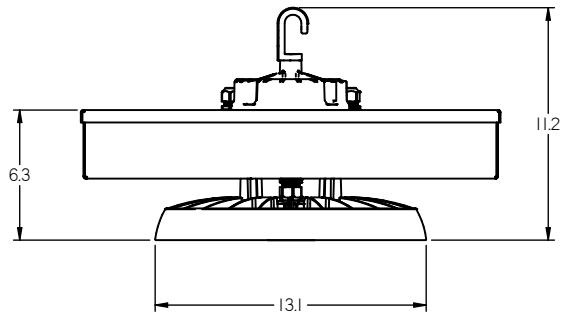
EM/W Housing



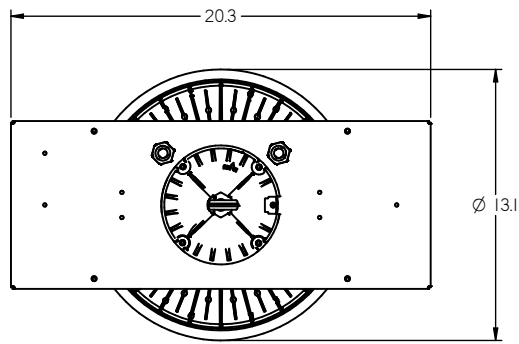
EM/W Housing Top View



NSF-EM/W Housing



NSF-EM/W Housing Top View



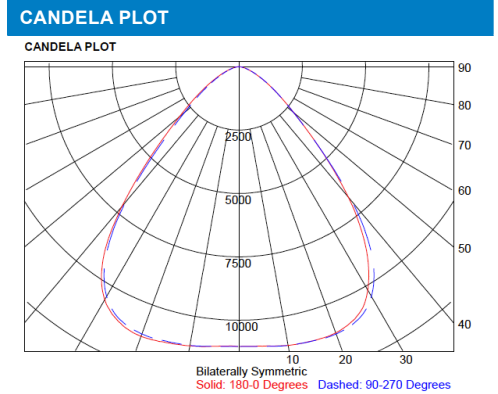


## ROUND HIGH BAY

### PHOTOMETRIC DATA

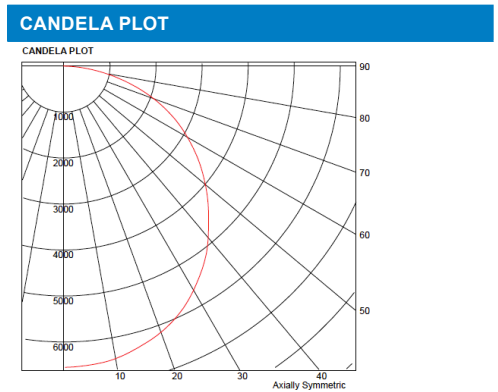
LUMINAIRE DATA	
Part Number	RB4-21L-U-40
Description	RB4, 21000lm, clear polycarbonate lens
Fixture Lumens (lm)	21540 Lumens
Wattage (W)	140.7 W
Efficacy (lm/W)	153.1 lm/W
Mounting	Pendant
Spacing Criteria	0° = 1.3, 90° = 1.3

ZONAL LUMEN SUMMARY		
Zone	Lumens (lm)	% Fixture
0° - 40°	14658.07	68%
0° - 60°	20335.32	94%
0° - 90°	21540	100%
90° - 180°	0	0%
0° - 180°	21540	100%



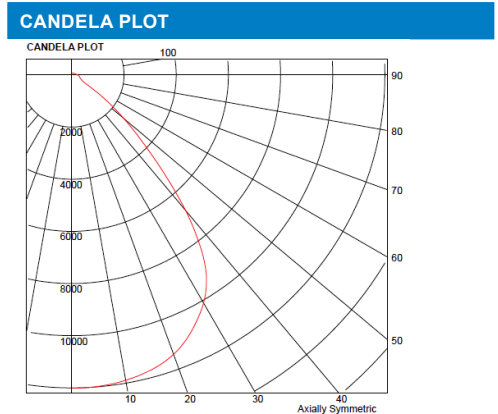
LUMINAIRE DATA	
Part Number	RB4-21L-U-40-FRL
Description	RB4, 21000lm, frosted acrylic lens
Fixture Lumens (lm)	19860 Lumens
Wattage (W)	139.9 W
Efficacy (lm/W)	142 lm/W
Mounting	Pendant
Spacing Criteria	0° = 1.28, 90° = 1.28

ZONAL LUMEN SUMMARY		
Zone	Lumens (lm)	% Fixture
0° - 40°	8534	43%
0° - 60°	15219	77%
0° - 90°	19860	100%
90° - 180°	0	0%
0° - 180°	19860	100%



LUMINAIRE DATA	
Part Number	RB4-21L-U-40-AD
Description	RB4, 21000lm, clear polycarbonate lens, frosted acrylic diffuser
Fixture Lumens (lm)	21215 Lumens
Wattage (W)	140.6
Efficacy (lm/W)	150.9
Mounting	Pendant
Spacing Criteria	0° = 1.22, 90° = 1.22

ZONAL LUMEN SUMMARY		
Zone	Lumens (lm)	% Fixture
0° - 40°	14698	69%
0° - 60°	19315	91%
0° - 90°	20404	96%
90° - 180°	811	4%
0° - 180°	21215	100%



LUMINAIRE DATA	
Part Number	RB4-21L-U-40-DAD
Description	RB4, 21000lm, clear polycarbonate lens, frosted acrylic diffuser
Fixture Lumens (lm)	21005 Lumens
Wattage (W)	140.6
Efficacy (lm/W)	149
Mounting	Pendant
Spacing Criteria	0° = 1.16, 90° = 1.16

ZONAL LUMEN SUMMARY		
Zone	Lumens (lm)	% Fixture
0° - 40°	14333	68%
0° - 60°	16960	81%
0° - 90°	19331	92%
90° - 180°	1673	8%
0° - 180°	21005	100%

