

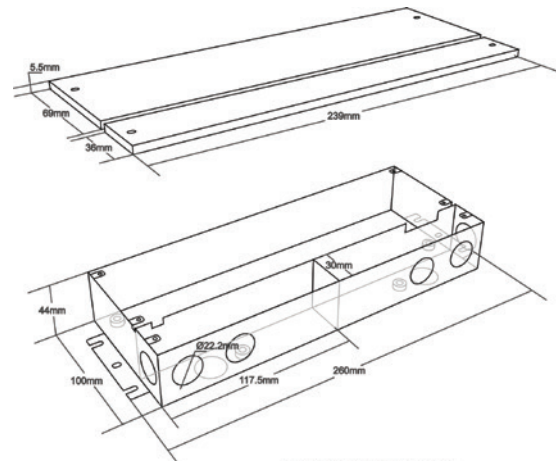
ELECTRONIC - CONSTANT VOLTAGE TRIAC (PHASE-CUT) DIMMABLE DRIVER

LR36157

LED/EDRV/200W/24V/UNV/D/JB



200W DRIVER



260(L)*105(W)*45(H) mm

| | | |
|--------------|---------------------------------|----------------------------------------------------------------------------------------|
| OUTPUT | RATED POWER | 200W |
| | DC VOLTAGE | 24V |
| | RATED CURRENT | 8.33A |
| | VOLTAGE TOLERANCE | ±0.5V |
| | VOLTAGE REGULATION | ±0.5% |
| | LOAD REGULATION | ±1% |
| INPUT | VOLTAGE RANGE | 110-277VAC |
| | FREQUENCY RANGE | 47-63Hz |
| | POWER FACTOR (TYP.) @ FULL LOAD | 0.98 @ 120VAC - 0.95 @ 277VAC |
| | THD (TYP.) @ FULL LOAD | <20% |
| | EFFICIENCY (TYP.) @ FULL LOAD | 86% |
| | AC CURRENT (MAX) | 2.3A @ 110VAC |
| | INRUSH CURRENT (TYP.) | 15A, 50%, 1.4ms @ 120VAC - 30A, 50%, 1.4ms @ 277VAC |
| | LEAKAGE CURRENT | <0.50mA |
| PROTECTION | SHORT CIRCUIT | Shut down o/p voltage, re-power on to recover after fault condition removed |
| | OVER LOADING | ≤120% constant current limiting, auto-recovery |
| | OVER TEMPERATURE | 212° F (100°C) ±50°F (10°C) shut down o/p voltage, automatically recover after cooling |
| ENVIRONMENT | WORKING TEMP | -40~+140°F (-40~60°C) |
| | WORKING HUMIDITY | 20~95%RH, non-condensing |
| | STORAGE TEMP. HUMIDITY | -40~+176°F (-40~80°C), 10~95%RH |
| | TEMP. COEFFICIENT | ±0.03% /°C (0~50°C) |
| | VIBRATION | 10~500Hz, 5G 10 min/1 cycle, period for 60 min each along X,Y,Z axes |
| SAFETY & EMC | SAFETY STANDARDS | UL8750 + UL1310 |
| | WITHSTAND VOLTAGE | I/P - O/P: 1.88KVAC |
| | ISOLATION RESISTANCE | I/P - O/P: 100M ^Ω /500VDC/25°C/70%RH |
| | EMC EMISSION | FCC Part 15B |
| CASE | NET WEIGHT | 3.96lb (1.8 KG) |
| | SIZE | 10.23" X 4.13" X 1.77" (L*W*H) |
| | CARTON SIZE | 10 PCS/CTN |