

Constant Voltage Magnetic Phase Dimmable LED Driver | Multi-Channel

The T-SERIES is a multi-channel Class 2 magnetic dimmable LED driver making it the perfect choice for multi-output needs in tape lighting, tube lighting, linear lighting and multiple other residential and commercial lighting applications. Encased in a high-quality metal enclosure that includes five 7/8" knock-outs for easy installation, each unit is equipped with push-to-reset breakers, one on the input and one on each output, to protect both the driver and the LED load. All our magnetic LED drivers are phase dimmable with a standard leading edge MLV TRIAC dimmer.

- Installation:** Integrated Junction Box with Multiple 7/8" Knock-Outs
- Driver Type:** Class 2 Multi-Channel
- Dimming:** Phase Dimmable with Leading (Forward) Edge MLV TRIAC Dimmer Only
- Input Voltage:** 120VAC, 50/60Hz
- Output Voltage:** 12VDC or 24VDC
- Environmental:** Dry and Damp
- Listing:** ETL Listed
- Certifications:** Conforms to UL8750, C22.2 NO. 223
- Warranty:** 5-Year Warranty

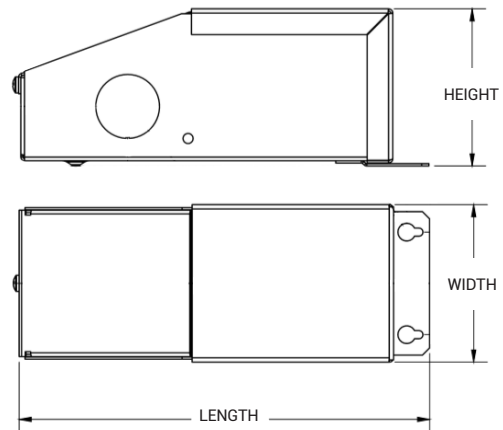


Ordering Guide Example: T288L24DC

T L DC

TYPE	MAX POWER	LISTING	OUTPUT
T - T-SERIES	180 - 180W 300 - 300W	L - ETL Listed	12 - 12VDC
	192 ¹ - 192W 288 ¹ - 288W		24 - 24VDC
	¹ 24VDC only		

DIMENSIONS	
LENGTH	11.33" (287.9mm)
WIDTH	4.73" (120.2mm)
HEIGHT	4.26" (108.2mm)

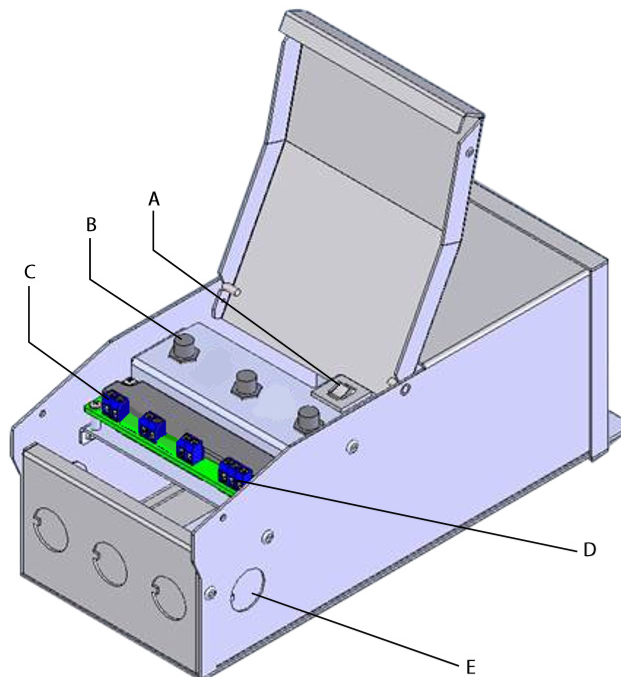
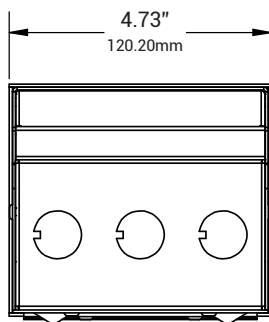
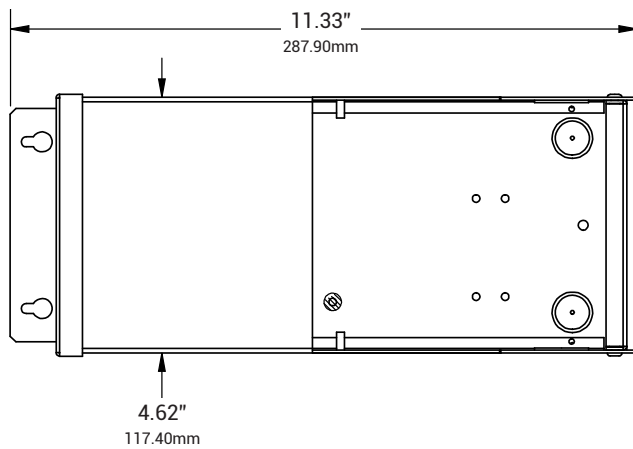
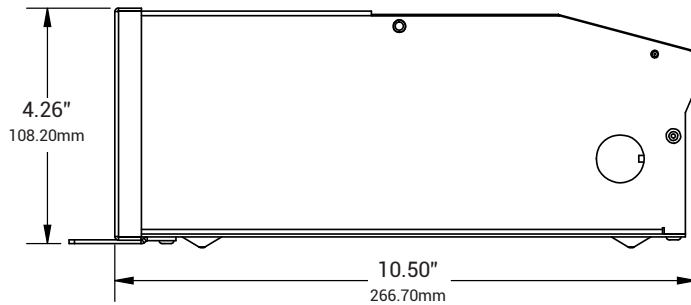


Specifications

INPUT				
Input Voltage Range	120VAC / VDC ± 5%			
Input Frequency	50 / 60Hz			
Input Current	2.10A (12VDC)	2.86A (12VDC)	2.21A (24VDC)	3.40A (24VDC)
Efficiency	> 81% (12VDC)	> 80% (12VDC)	> 80% (24VDC)	> 80% (24VDC)
Power Factor	> 0.92(12VDC)	> 0.93(12VDC)	> 0.90(24VDC)	> 0.90(24VDC)
OUTPUT				
Max Load	180W	300W	192W	288W
Output Voltage @ Max Load	12.0 VDC	12.0 VDC	24.0 VDC	24.0 VDC
Output Current @ Max Load	5.00A per port (12VDC)	5.00A per port (12VDC)	4.00A per port (24VDC)	4.00A per port (24VDC)
Open Circuit Output Voltage	12.8 VDC	12.8 VDC	24.5 VDC	24.5 VDC
ENVIRONMENTAL				
Operating Temperature	-30°C - +40°C (-22°F - 104°F)			
Min. Installation Spacing	5"			
Thermal Class	B130°C			
DIMMING				
Minimum Dimming Level	1%			
PROTECTION				
Circuit Breaker	Primary & Secondary push-to-reset Primary & Secondary push-to-reset Primary & Secondary push-to-reset Primary & Secondary push-to-reset			
MECHANICAL HOUSING				
Primary Leads	Terminal Blocks	Terminal Blocks	Terminal Blocks	Terminal Blocks
Secondary Leads	Terminal Blocks (3)	Terminal Blocks (5)	Terminal Blocks (2)	Terminal Blocks (3)
Length	11.33" (289.9mm)	11.33" (289.9mm)	11.33" (289.9mm)	11.33" (289.9mm)
Width	4.73" (120.2mm)	4.73" (120.2mm)	4.73" (120.2mm)	4.73" (120.2mm)
Height	4.26" (108.2mm)	4.26" (108.2mm)	4.26" (108.2mm)	4.26" (108.2mm)
Weight	15 lbs	15 lbs	15 lbs	15 lbs
Housing Material	Coated Metal	Coated Metal	Coated Metal	Coated Metal
Housing Color	Black	Black	Black	Black
Junction Box	Yes	Yes	Yes	Yes
Mounting	Two hole flange mount	Two hole flange mount	Two hole flange mount	Two hole flange mount
APPROVAL MARKINGS				
Certificates / Approval Signs	ETL Listed, Class 2 Outputs			

Mechanical Diagram

180W / 192W / 288W / 300W



- A Primary circuit breaker
- B Secondary circuit breaker
- C Output terminal block
- D Input terminal block
- E Knockout holes

Wiring Diagram

