

LUXRITE®

LED CANLESS - SPOTLIGHT TAMPA COLLECTION



CRI
90

COLOR SELECTABLE
2700K 3000K 3500K 4000K 5000K

DIMMABLE
TRIAC

15°
360°
GIMBAL

HIGH
OUTPUT

IC
RATED

AIR
TIGHT

WET
LOCATION
RATED

120V

5
YEAR
WARRANTY

ETL
Intertek

ENERGY STAR

LR23270

LED12W/RDL1/GB/HO/5CCT/FL



FRONT VIEW

APERTURE	1"
DISTRIBUTION	GIMBAL
APPLICATION	NEW CONSTRUCTION & REMODEL

ELECTRICAL

POWER	12W
INPUT VOLTS	120V
INPUT CURRENT	120mA
FREQUENCY	60Hz
DIMMING TYPE	TRIAC
DIMMING RANGE	10-100%
FEED WIRE GAUGE	24AWG
BREAKER SPECIFICATION (15A @120V)	99pcs*

*Mathematically estimated value. Actual capacity may vary by breaker type and installation environment.

PHOTOMETRIC

COLOR CCT	2700K/3000K/3500K/4000K/5000K
CRI	90
LUMEN	1000lm
EFFICACY	83lm/w
BEAM ANGLE	36°

CERTIFICATIONS & SAFETY

LR23270	ETL, ENERGY STAR
WET LOCATION	YES
IC RATED	YES
AIR TIGHT	YES
OPERATING TEMP.	-4°F to 104°F
COST/YR	\$ 1.44
WARRANTY	5 YR

MATERIAL & APPLICATION

HEAT SINK	ALUMINUM
TRIM	ALUMINUM
LENS	PC
CUTOUT	Ø2.16"
MOUNTING TYPE	RECESSED
ROTATION	360°
TILT	15°
AREA OF APPLICATION	RESIDENTIAL, COMMERCIAL
CEILING TYPE	DRYWALL, WOOD

DRIVER

	POWER	INPUT VOLTS	INPUT CURRENT	FREQUENCY	INPUT POWER	OUTPUT VOLTAGE	DIMENSIONS	KNOCKOUTS
INCLUDED DRIVER	12	120V	120mA	60Hz	23W max	36V DC	7.25"L X 1.5"W X 1.5"H	3

MODEL	DESCRIPTION	EM POWER	INPUT VOLTS	INPUT CURRENT	FREQUENCY	INPUT POWER	OUTPUT VOLTAGE	RECHARGE TIME	EMERGENCY TIME
LR35126**	LED/EMR/15W/AC/SF/E	15	100-347V	100mA	50/60Hz	12W max	170V DC	24HR	90MINS

*AMBIENT TEMPERATURE: 41°F ~ 122°F
**SOLD SEPARATELY

DIMENSIONS

CUTOUT: Ø2.16"

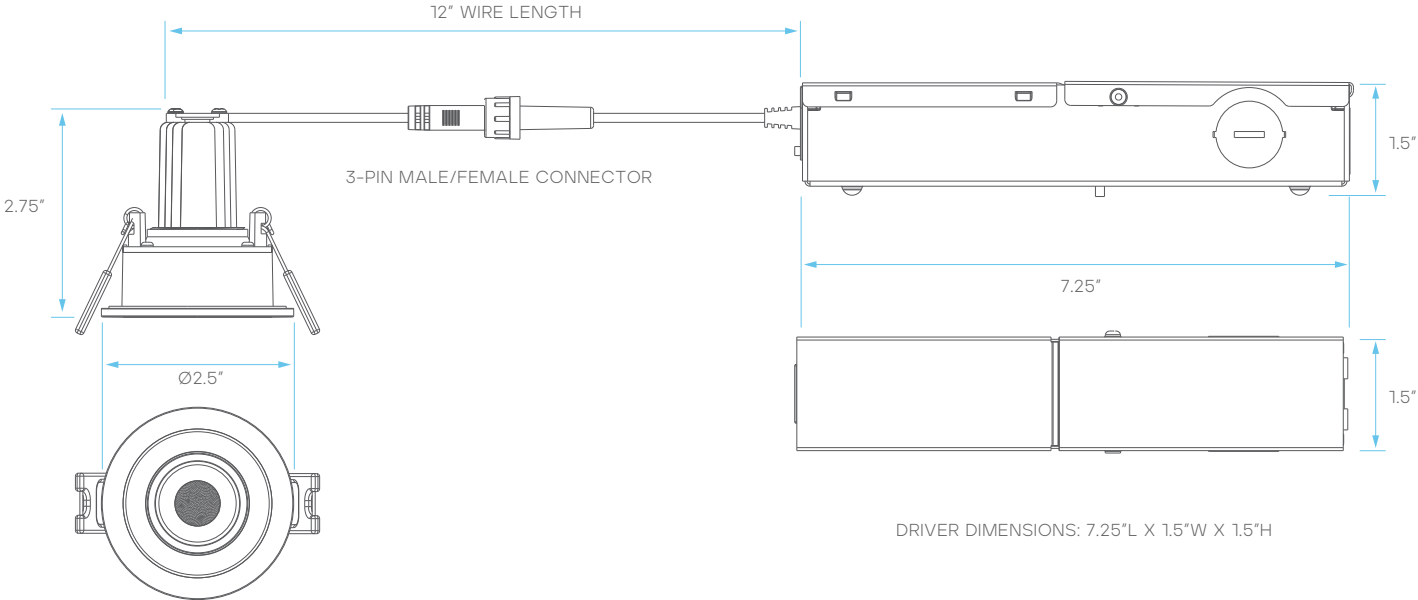
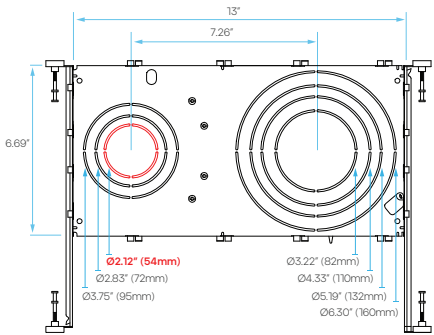


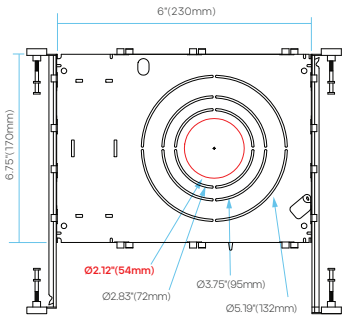
PLATE COMPATIBILITY*

*SOLD SEPARATELY

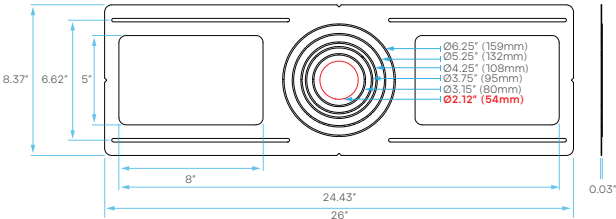
LR41010
KNOCKOUT
LO



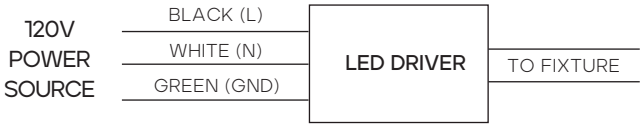
LR41004
KNOCKOUT
O



LR41006
KNOCKOUT
O



WIRING DIAGRAM



SUGGESTED COMPATIBLE DIMMER*

LUTRON	CTCL-153P
	DVCL-153PDH
	DVCL-153P
LEVITON	6672
	6674
PASS & SEYMOUR	HCL453PTCCCV6

*Dimmer performance may vary based on load, wiring, and installation conditions. Inclusion on this chart does not guarantee compatibility for every installation, and omission does not indicate incompatibility. Refer to the dimmer manufacturer's installation instructions and verify minimum load requirements to avoid field issues.

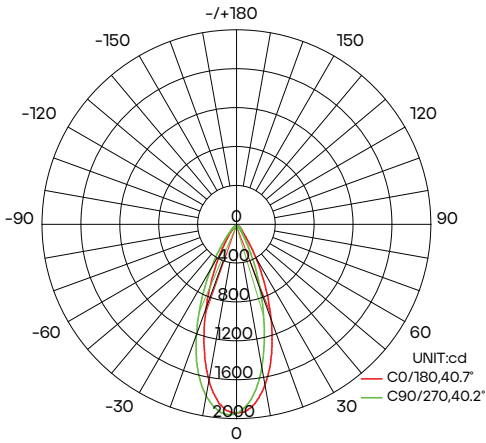
PACKAGING

MODEL	STYLE	INNER BOX DIMENSIONS	MASTER CARTON DIMENSIONS	CASE
LR23270	INNER BOX + MASTER CARTON	8.26" X 6.10" X 2.75"	17.13" X 12.80" X 14.57"	20

LuxiFlow™ PHOTOMETRICS

Luxrite® LuxiFlow® tool is for informational purposes only, it is not intended to provide lighting or electrical advise.

LUMINOUS INTENSITY DISTRIBUTION DIAGRAM



AVERAGE BEAM ANGLE(50%): 40.4 DEG

*DIAGRAM SHOWING LR25436 AT 2700K

C0 PLANE ISOLUX DIAGRAM (UNIT:lx)

