



# FHSCP-UNV-8W-L-SD

## Emergency LED Driver

- Universal Voltage: 120-277V~
- Output Voltage Range: 15-55V  $\overline{\text{DC}}$
- Output Current: 550mA Max
- Output Wattage: 8W
- Output Type: LED Class 2
- Number of Output Channels: 1 Channel
- Dry and Damp

### General Specifications

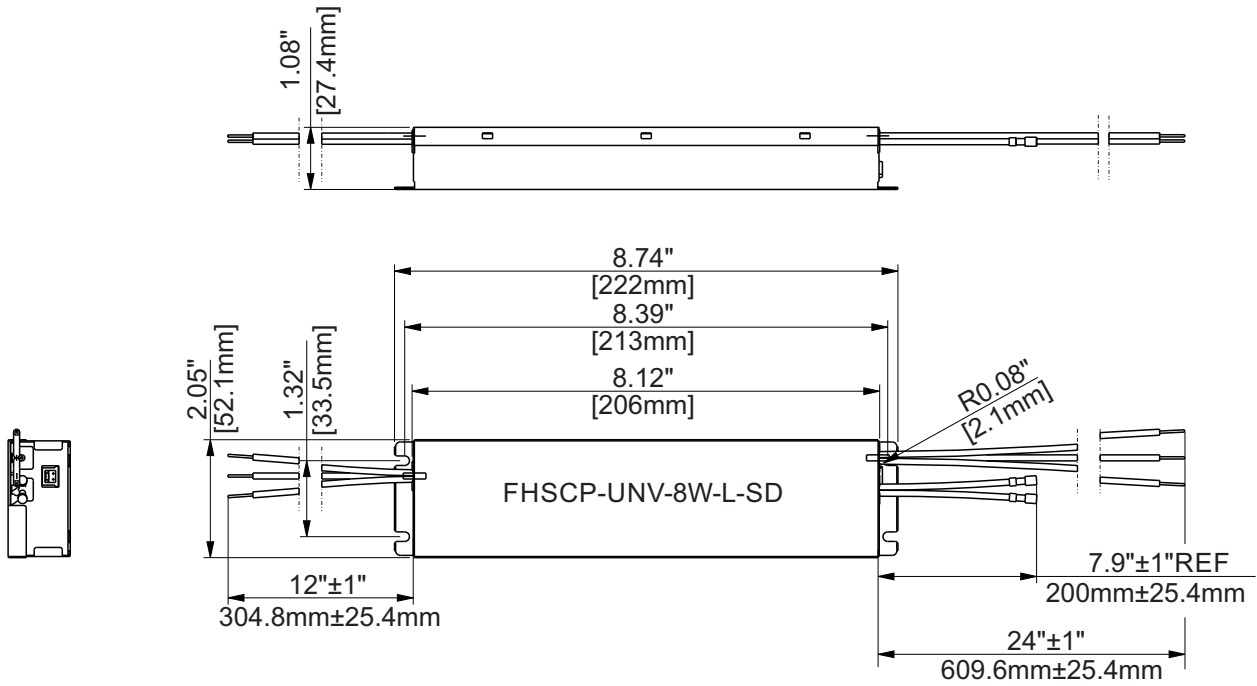
Input Voltage / Frequency	120-277V~ , 50/60Hz
Input Current	0.1A Max
Input Power	5W Typical
Maintain Power	0.85W
Input Power Pass-Through Rating (AC Driver Line)	5A
Max Output Rating (LED+ LED- Terminal)	3A Max
	55V Max
Output Power	8W
Output Voltage Range	15-55V $\overline{\text{DC}}$
Output Current Rated	0.55A Max
Number of Output Channels	1 Channel
Test Switch	Bi-Color
Input Surge Protection	3KV/6KV Ring wave, 1KV/2KV Combine surge
Emergency Mode Protections	Output Open Protection
	Output Overload Protection
	Output Short Circuit Protection
RFI/EMI	FCC Part 15 ClassA
Ambient Operating Temperature Range	0°C To 55 °C( 32 °F To 131 °F)
Tc	62 °C (143.6 °F)
Sound Rating	A
Battery Type	Lithium-ion
Battery Voltage	10.95V
Battery Capacity	2600mAh
Battery Rating	28.47Wh
Battery Recharge Time	24 Hours
Battery Discharge Time	Min 1.5 Hours
IP Rating	IP20
Test Switch Remote Mounting Distance	65.6' (20m) Max.
Service Life	50,000 hours @ 56.2 °C (143.6 °F)
Warranty	@ 56.2 °C (143.6 °F) 5 Years From the date of manufacture when properly installed
Safety Standards	UL 924/UL 1310/CSA C22.2 No.141



# FHSCP-UNV-8W-L-SD



## Mechanical Data



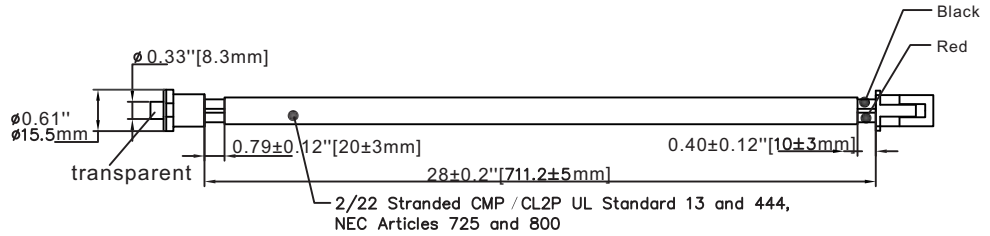
Overall Dimensions	
Length	8.74" [222mm]
Width	2.05" [52.1mm]
Height	1.08" [27.4mm]



# FHSCP-UNV-8W-L-SD

## Accessories

### Test switch wire

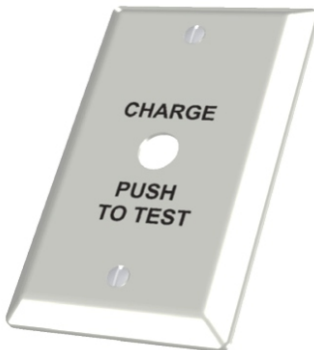


### Wall Plate: FHSWLPWH

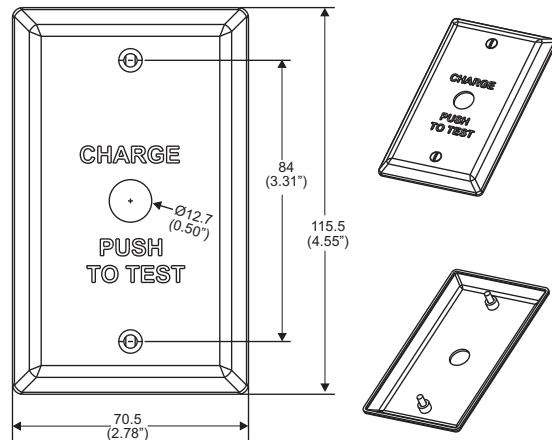


Wall plate and screw color:  
white with black lettering

### Wall Plate: FHSWLPPWH (Pure White Wall Plate)



Wall plate and screw color:  
Pure white with black lettering



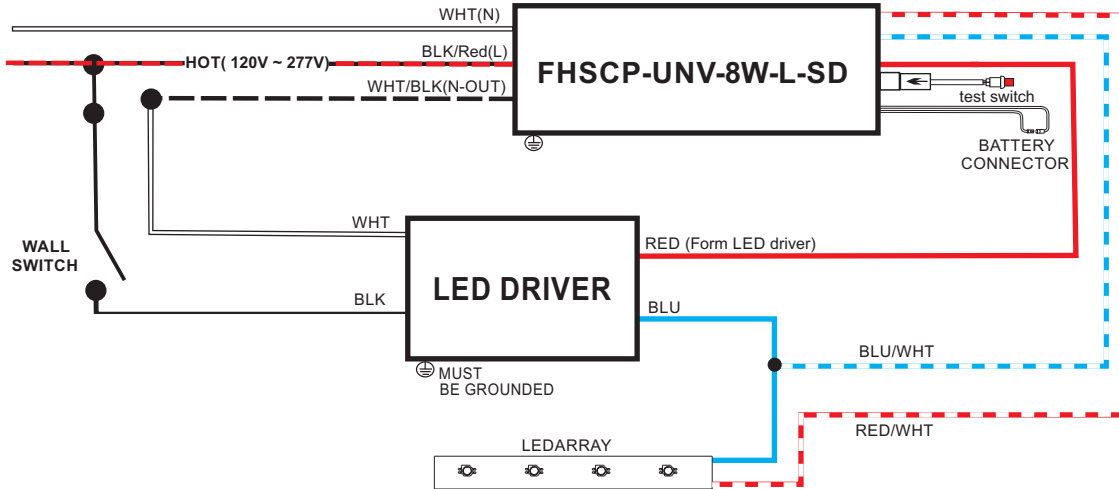
1. "Charge push to Test" plate
2. (2) 6-32 x 1/2" LG mounting screws



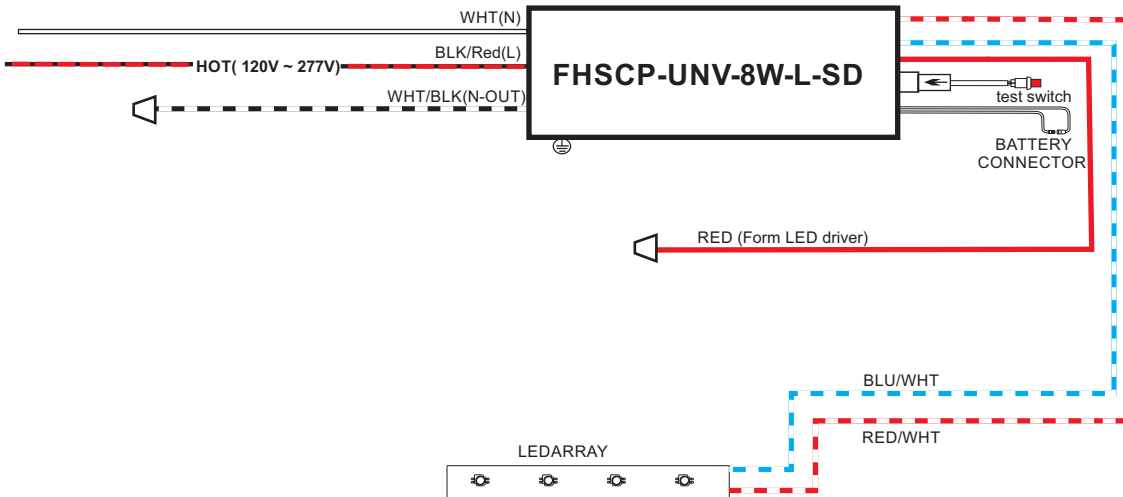
# FHSCP-UNV-8W-L-SD



## Wiring Diagram



## Wiring Diagram (Emergency Only)





# FHSCP-UNV-8W-L-SD



## SELF-DIAGNOSTIC INSTRUCTIONS / OPERATION:

### If the self-diagnostic feature is enabled:

The emergency LED driver will conduct a self-check for sixty(60) seconds every thirty(30) days; and a ninety(90) minutes self-check every 12 months. After every self-check the LED indicator light will indicate a status signal. Check indicator status chart below to diagnose the status signal.

### If the self-diagnostic feature is disabled:

User must conduct a manual test every thirty (30) days to ensure the emergency LED light source illuminates as intended. A full discharge test shall be conducted once a year; the LED light source shall illuminate for a minimum of ninety (90) minutes.

**\*Self-Diagnostic feature is factory enabled**

## TEST SWITCH INDICATOR STATUS:

LED Indicators Status	EM Driver Status / Mode
● Solid Green	System OK / AC OK (Self-Diagnostic Enabled or Disabled)
⦿ Slow Flashing Red, 4s on / 1s off	Battery NOT detected, check battery switch or connection
⦿ Flashing Red, 1s on / 1s off	Battery Failure, replace battery
⦿ Flashing Green, 1s on / 1s off	Self-Diagnostic test underway
⦿ Slow Flashing Green, 0.1s on / 3s off	Normal working in EM mode
● Solid Red	No load or output over voltage protection triggered , Check LED connection
● Solid Red	Over Current Protection
⦿ Flashing Green, 2s on/0.5s off	Enables Self-diagnosis
⦿ Flashing Green, 0.5s on/2s off	Cancel Self-diagnosis
⦿ Flashing Red, 0.5s on/3s off	Self-diagnose process current fault/The battery voltage is abnormal

## TEST SWITCH OPERATIONS

### EM Test:

Press and hold the test button (>1s) to enter EM mode in normal AC powered.

### Manual Self-Diagnostic:

After charging twelve (12) hours at least, quickly press the test button three(3) times to force the controller to enter Self-Diagnostic cycle. To quit the Self-Diagnostic cycle after engaged, press and hold the test button for three (3) seconds.

### Query Self-Diagnostic Status:

Fast click 2 times within 2s to query the Self-Diagnostic status. The indicator would blink for current status for 3 cycles. 2s ON/0.5s OFF stands for Enabled. 0.5s ON/2s OFF stands for Disabled.

### How to Enable and Disable Self-Diagnostic Status:

Press and hold the test button for one second, then release, and press and hold the test button for 2 seconds.

### Cancel reporting error:

In standby, press and hold the button for about 5s to cancel the error indication.

### Emergency Battery Disconnect:

Press and hold the test switch for 5 seconds during EM output condition to turn off EM output. This is useful for production environment to turn off the EM output once a luminaire has completed functionality testing.



# FHSCP-UNV-8W-L-SD

---

## Guidelines

### Grounding

- Driver must be grounded by means of the Driver case.

---

### LED load

- Fulham's Hotspot Constant Power Emergency LED drivers are designed to drive passive LEDs, -COB's and -LED assemblies. Proper function is not guaranteed when (LED) loads with active components are used.

---

### Mounting / Cooling

- Above an output power of 8W, the driver needs to be mounted on a heat conductive surface of at least 40cm<sup>2</sup>. Always test if the surface is sufficient enough before installing the driver.

---

### Short-circuit protection

- In case of a short circuit the LED driver switches to protection mode. After the removal of the short-circuit the LED driver will Latch ,need restart AC Power.

---

### No-load Operation

- In no-load operation the output voltage will not exceed the specified open circuit output voltage.

---

### Hot Swapping

- This driver does not support hot swapping of the LEDs

---

### Remote Mounting

- Up to 20ft with 18AWG. Contact Fulham for higher remoute distance.

---

### Battery Maintenance

- In order to maintain proper operation and warranty coverage, the battery must be recharged once per year prior to installation.

---

### Warranty

- Reference Fulham's limited Warranty: <https://cdn.fulham.com/PDFs/Limited-Warranty.pdf>



# FHSCP-UNV-8W-L-SD



## Part Number Matrix

**FHS**

LED Driver

FHS = FireHorse HotSpot Driver

**CP**

Driver Type

CP = Constant Power

**UNV**

Input Voltage

UNV = 120V-277V

**8W**

Power

8W = 8 Watts

**L**

Case Type

L = Long Case

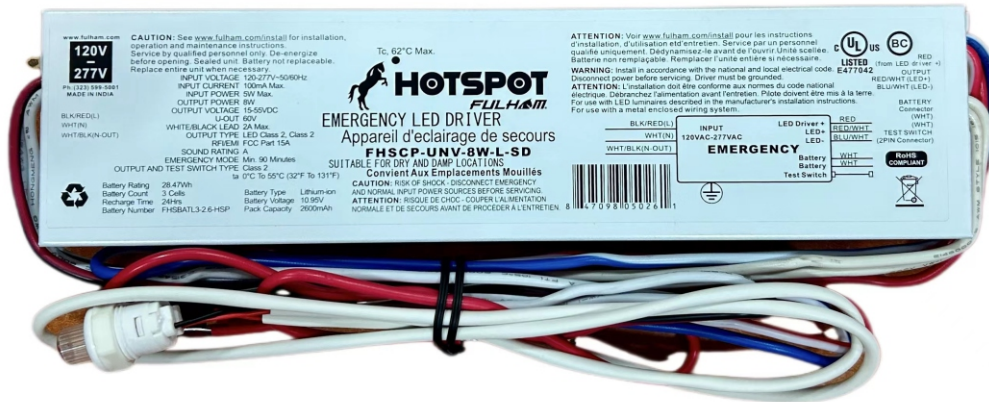
**SD**

Special Features

SD = Self Diagnostic

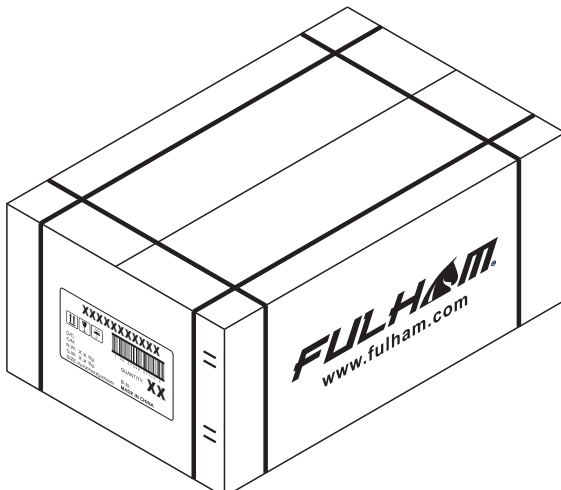
## Product Image: LED Driver

FHSCP-UNV-8W-L-SD



## Packaging

Master Carton



OUTER DIMENSION		
L	W	H
464mm (18.27")	364mm (14.33")	193mm (7.60")
Net Weight	Gross Weight	QUANTITY
9.3KG 20.5lbs	10.8KG 23.80lbs	20