

MLE96-24DC-UD

Class 2 Electronic UNIV 5 in 1 dimming

Outdoor Black Powder Coated Steel Enclosure

Single Circuit: **24VDC**

Total Wattage: **96W max**

Input Voltage: **100-277V 50/60Hz**

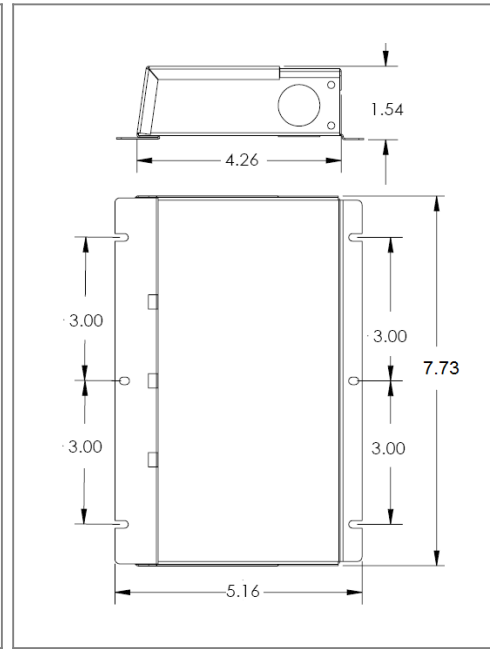


www.emcod.com



Conforms to UL STD. 8750 and 1310
Certified to CSA
STD. C22.2 № 223

model MLE-96-24DC-UD



Transformer

Dimmable with triac forward and reverse phase, 0/1-10V , resistor, PWM

Input leads are 18AWG 600V

Output leads are 16AWG 300V

Leads max. operational temperature is 105°C

Housing

The actual transformer 96W is encapsulated in the enclosure

The enclosure is Black Powder Coated Steel, NEMA 3R rated

Wiring compartment has 6 knockouts sizes for 3/8 inch screw cable connectors

Enclosure Temperature does not exceed 70°C at 45°C ambient and fully loaded

Dimensions (inch): H = 5.16, W = 7.73, D = 1.54

Weight (LBs): 3

Electrical Parameters

Input Voltage: **100-277V 50/60Hz**

Max. input current at full load: **1.3A**

Output voltage without load: **24.1VDC**

Output voltage fully loaded: **24VDC**

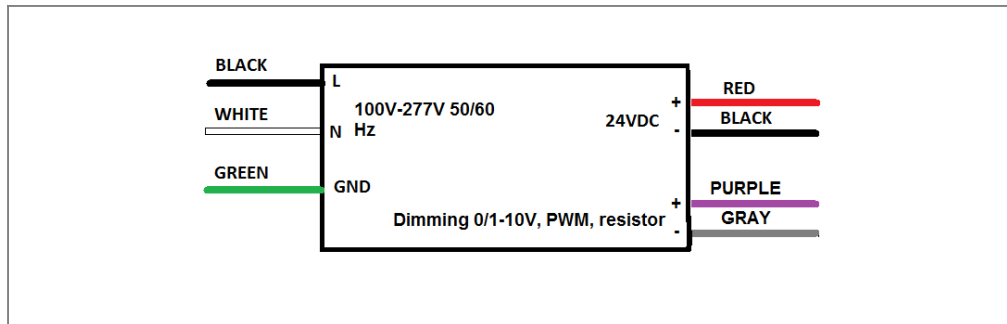
Max. Total Wattage: **96W**

Max. Output Current: **4A**

Efficiency: **90%**

Load regulation: **1%**

Ripple: **5%**



Mailing Address: 6925 Eton Ave. Canoga Park, CA 91303 Tech support: Arik Nirenberg phone: 818-904-3309 cellphone: 818-269-4091
Fax: 818 904 3327 info@emcod.com techsupport@emcod.com