

LUXRITE®

LED CANLESS - SPOTLIGHT



3"



LR23478

4"



LR23480

6"



LR23485

2 HOUR FIRE RATING
TESTED TO COMPLY WITH UL 263
ASTM E119 & CAN ULC S101



LR23478

LED/MINI3/FIRE/5CCT/RD/WT



APERTURE	3"
DISTRIBUTION	FIXED
APPLICATION	NEW CONSTRUCTION/REMODEL

ELECTRICAL

POWER	8W
INPUT VOLTS	120V
INPUT CURRENT	70mA
FREQUENCY	60Hz
DIMMING TYPE	TRIAC
DIMMING RANGE	10-100%
FEED WIRE GAUGE	22AWG
BREAKER SPECIFICATION *(15A @120V)	149pcs*

*Mathematically estimated value. Actual capacity may vary by breaker type and installation environment.

PHOTOMETRIC

COLOR CCT	2700K/3000K/3500K/4000K/5000K
CRI	90
LUMEN	500lm
EFFICACY	69lm/w
BEAM ANGLE	120°

CERTIFICATIONS & SAFETY

LR23478	ET, ENERGY STAR
WET LOCATION	YES
IC RATED	YES
AIR TIGHT	YES
OPERATING TEMP.	-4°F to 104°F
COST/YR	\$ 0.96
WARRANTY	5 YR

MATERIAL & APPLICATION

HOUSING	STEEL
LENS	PC
CUTOUT	Ø3.25"
MOUNTING TYPE	RECESSED
AREA OF APPLICATION	RESIDENTIAL, COMMERCIAL
CEILING TYPE	DRYWALL/WOOD

DRIVER

	POWER	INPUT VOLTS	INPUT CURRENT	FREQUENCY	INPUT POWER	OUTPUT VOLTAGE	DIMENSIONS	KNOCKOUTS
INCLUDED DRIVER	8W	120V	70mA	60Hz	8W max	36V DC	4"L X 2.91"W X 1.41"H	4

MODEL	DESCRIPTION	EM POWER	INPUT VOLTS	INPUT CURRENT	FREQUENCY	INPUT POWER	OUTPUT VOLTAGE	RECHARGE TIME	EMERGENCY TIME
LR35126**	LED/EMR/15W/AC/SF/E	15	100-347V	100mA	50/60Hz	12W max	170V DC	24HR	90MINS

*AMBIENT TEMPERATURE: 41°F ~ 122°F
*SOLD SEPARATELY

DIMENSIONS

CUTOUT: Ø3.25"

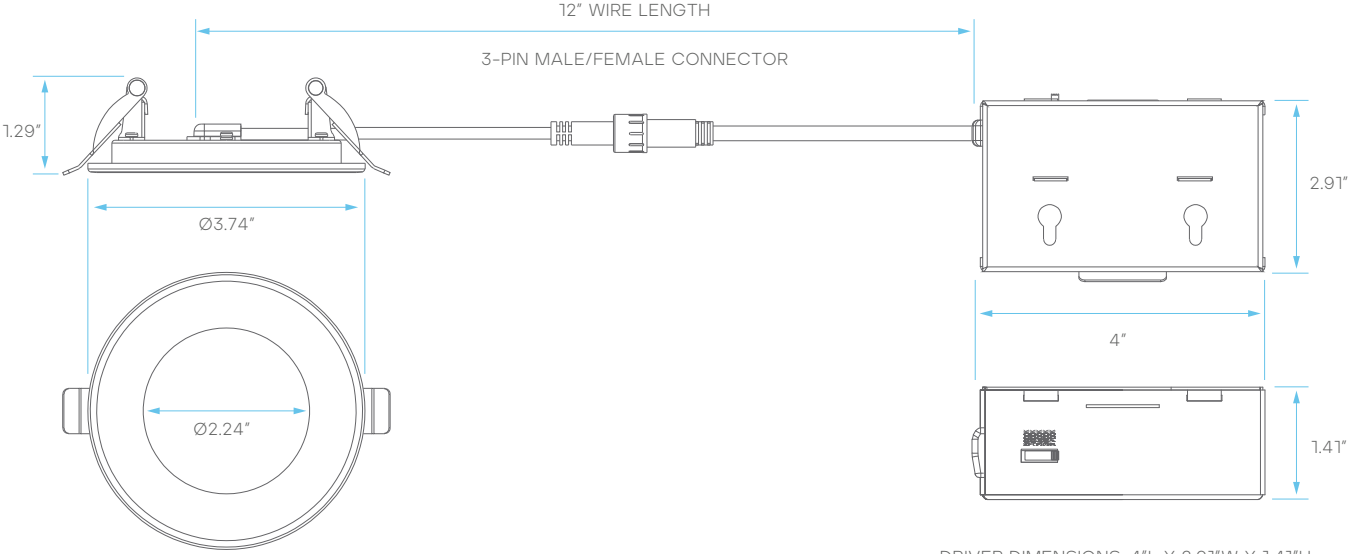
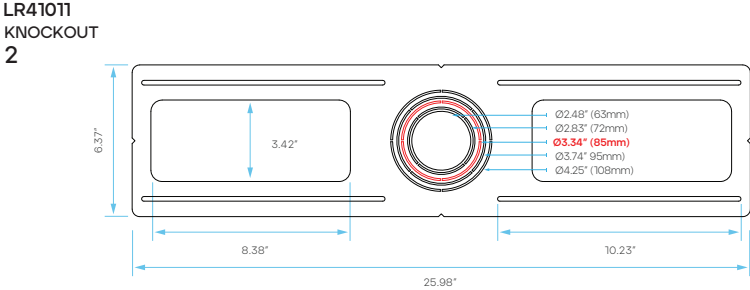
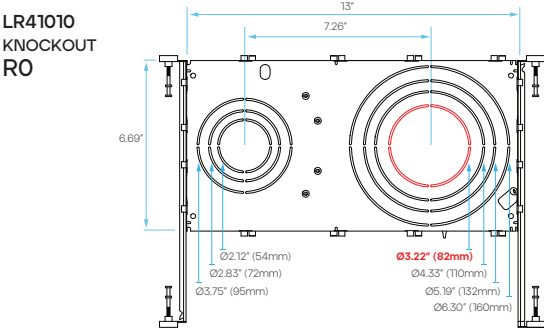


PLATE COMPATIBILITY*

*SOLD SEPARATELY



LR23480

LED/MINI4/FIRE/5CCT/RD/WT



APERTURE	4"
DISTRIBUTION	FIXED
APPLICATION	NEW CONSTRUCTION/REMODEL

ELECTRICAL

POWER	12W
INPUT VOLTS	120V
INPUT CURRENT	100mA
FREQUENCY	60Hz
DIMMING TYPE	TRIAC
DIMMING RANGE	10-100%
FEED WIRE GAUGE	22AWG
BREAKER SPECIFICATION (15A @120V)	99pcs*

*Mathematically estimated value. Actual capacity may vary by breaker type and installation environment.

PHOTOMETRIC

COLOR CCT	2700K/3000K/3500K/4000K/5000K
CRI	90
LUMEN	800lm
EFFICACY	67lm/w
BEAM ANGLE	120°

CERTIFICATIONS & SAFETY

LR23480	ETL, ENERGY STAR
WET LOCATION	YES
IC RATED	YES
AIR TIGHT	YES
OPERATING TEMP.	-4°F to 104°F
COST/YR	\$ 1.44
WARRANTY	5 YR

MATERIAL & APPLICATION

HOUSING	STEEL
LENS	PC
CUTOUT	Ø4.25"
MOUNTING TYPE	RECESSED
AREA OF APPLICATION	RESIDENTIAL, COMMERCIAL
CEILING TYPE	DRYWALL/WOOD

DRIVER

	POWER	INPUT VOLTS	INPUT CURRENT	FREQUENCY	INPUT POWER	OUTPUT VOLTAGE	DIMENSIONS	KNOCKOUTS
INCLUDED DRIVER	12W	120-277V	100mA	60Hz	12W max	36V DC	5.11"L X 3.07"W X 1.18"H	4

MODEL	DESCRIPTION	EM POWER	INPUT VOLTS	INPUT CURRENT	FREQUENCY	INPUT POWER	OUTPUT VOLTAGE	RECHARGE TIME	EMERGENCY TIME
LR35126**	LED/EMR/15W/AC/SF/E	15	100-347V	100mA	50/60Hz	12W max	170V DC	24HR	90MINS

*AMBIENT TEMPERATURE: 41°F ~ 122°F
**SOLD SEPARATELY

DIMENSIONS

CUTOUT: Ø4.25"

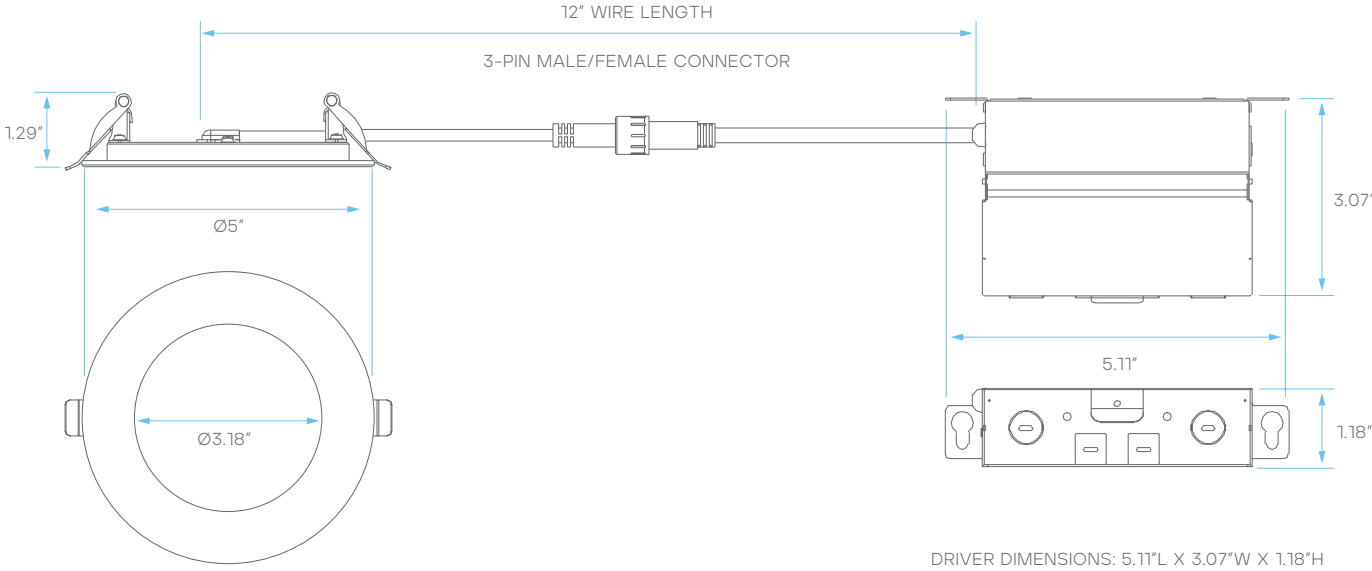
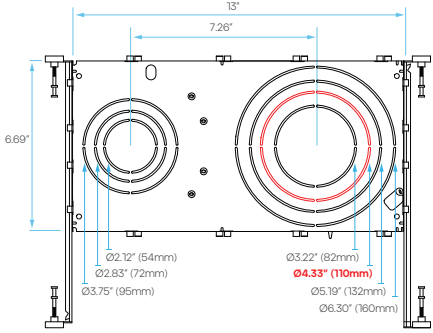


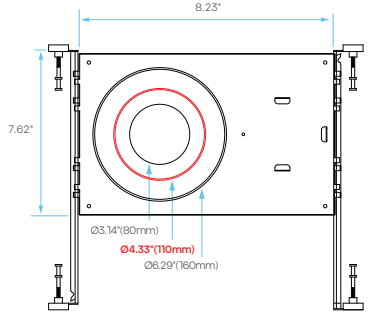
PLATE COMPATIBILITY*

*SOLD SEPARATELY

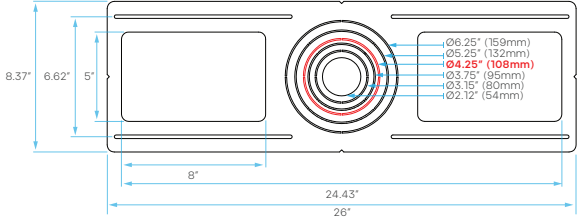
LR41010
KNOCKOUT
R1



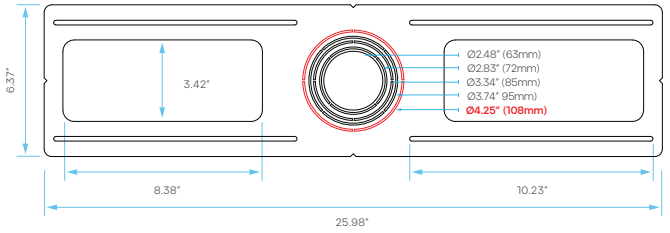
LR41002
KNOCKOUT
1



LR41006
KNOCKOUT
3



LR41011
KNOCKOUT
4



LR23485

LED/MINI6/FIRE/5CCT/RD/WT



APERTURE	6"
DISTRIBUTION	FIXED
APPLICATION	NEW CONSTRUCTION/REMODEL

ELECTRICAL

POWER	15W
INPUT VOLTS	120V
INPUT CURRENT	130mA
FREQUENCY	60Hz
DIMMING TYPE	TRIAC
DIMMING RANGE	10-100%
FEED WIRE GAUGE	22AWG
BREAKER SPECIFICATION *(15A @120V)	79pcs*

*Mathematically estimated value. Actual capacity may vary by breaker type and installation environment.

PHOTOMETRIC

COLOR CCT	2700K/3000K/3500K/4000K/5000K
CRI	90
LUMEN	1100lm
EFFICACY	75lm/w
BEAM ANGLE	120°

CERTIFICATIONS & SAFETY

LR23485	ETL
WET LOCATION	YES
IC RATED	YES
AIR TIGHT	YES
OPERATING TEMP.	-4°F to 104°F
COST/YR	\$ 1.80
WARRANTY	5 YR

MATERIAL & APPLICATION

HOUSING	STEEL
LENS	PC
CUTOUT	Ø6.22"
MOUNTING TYPE	RECESSED
AREA OF APPLICATION	RESIDENTIAL, COMMERCIAL
CEILING TYPE	DRYWALL/WOOD

DRIVER

	POWER	INPUT VOLTS	INPUT CURRENT	FREQUENCY	INPUT POWER	OUTPUT VOLTAGE	DIMENSIONS	KNOCKOUTS
INCLUDED DRIVER	15W	120V	130mA	60Hz	15W max	36V DC	5.11"L X 3.07"W X 1.18"H	4

MODEL	DESCRIPTION	EM POWER	INPUT VOLTS	INPUT CURRENT	FREQUENCY	INPUT POWER	OUTPUT VOLTAGE	RECHARGE TIME	EMERGENCY TIME
LR35126**	LED/EMR/15W/AC/SF/E	15	100-347V	100mA	50/60Hz	12W max	170V DC	24HR	90MINS

*AMBIENT TEMPERATURE: 41°F ~ 122°F
**SOLD SEPARATELY

DIMENSIONS

CUTOUT: Ø6.22"

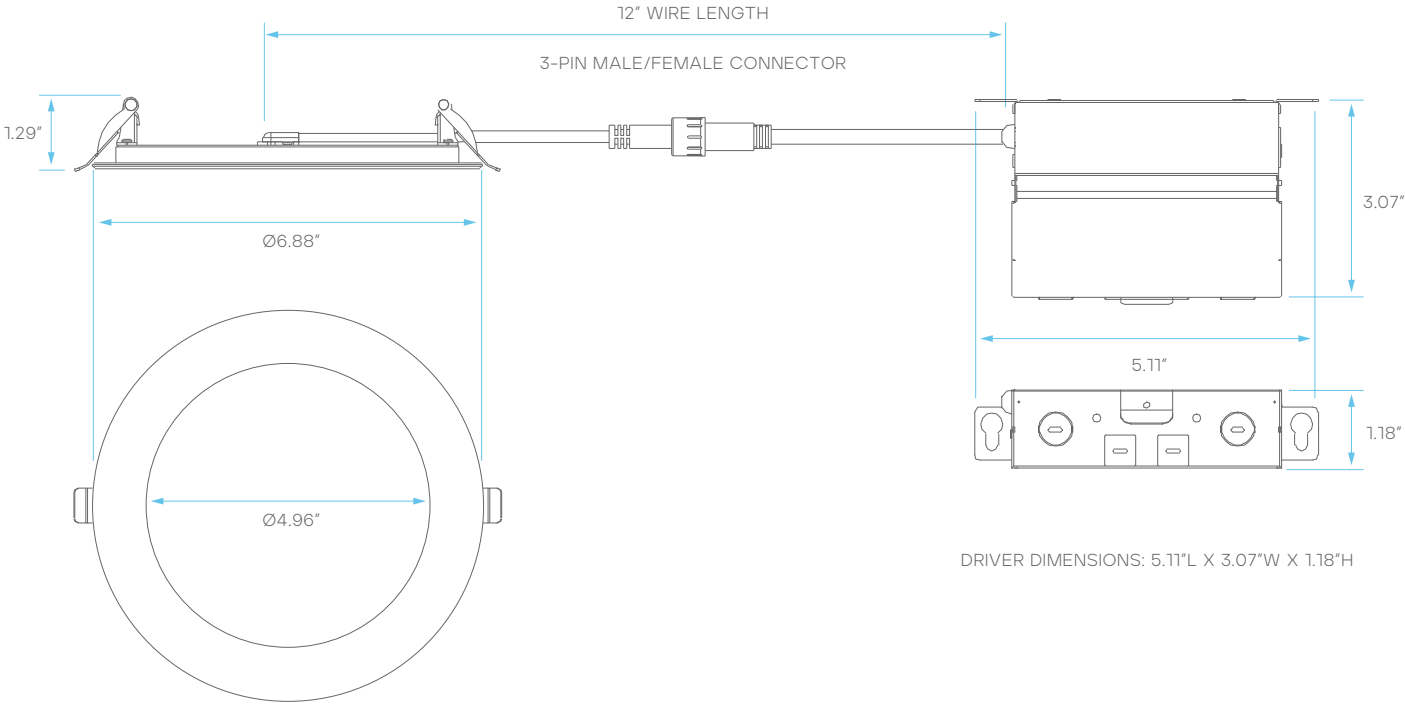
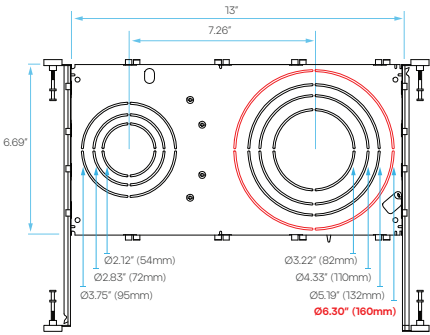


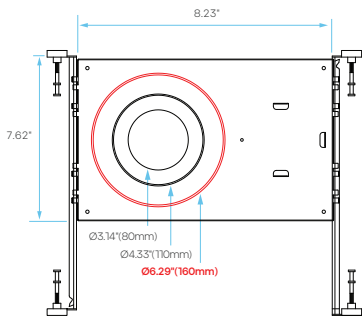
PLATE COMPATIBILITY*

*SOLD SEPARATELY

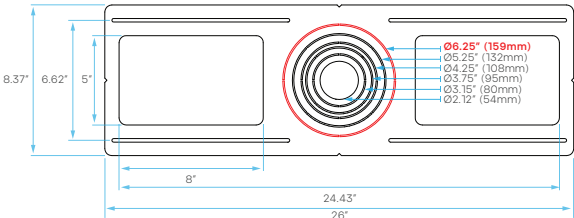
LR41010
KNOCKOUT
R3



LR41002
KNOCKOUT
2






LR41006
KNOCKOUT
5

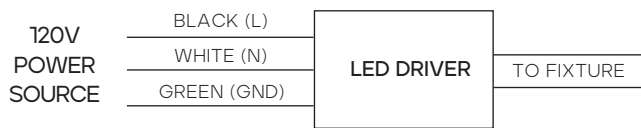


TRIM REPLACEMENT*

*SOLD SEPARATELY

	MODEL	DESCRIPTION	SIZE	FINISH	SHAPE	APPLICATION
	LR23479	LED/MINI3/FIRE/TRIM/RD/BK	3"	BLACK	ROUND	FIXED
	LR23481	LED/MINI4/FIRE/TRIM/RD/BK	4"	BLACK	ROUND	FIXED
	LR23486	LED/MINI6/FIRE/TRIM/RD/BK	6"	BLACK	ROUND	FIXED

WIRING DIAGRAM



SUGGESTED COMPATIBLE DIMMER*

LUTRON	CTCL-153P
	DVCL-153PDH
	DVCL-153P
LEVITON	6672
	6674
PASS & SEYMOUR	HCL453PTCCCV6

*Dimmer performance may vary based on load, wiring, and installation conditions. Inclusion on this chart does not guarantee compatibility for every installation, and omission does not indicate incompatibility. Refer to the dimmer manufacturer's installation instructions and verify minimum load requirements to avoid field issues.

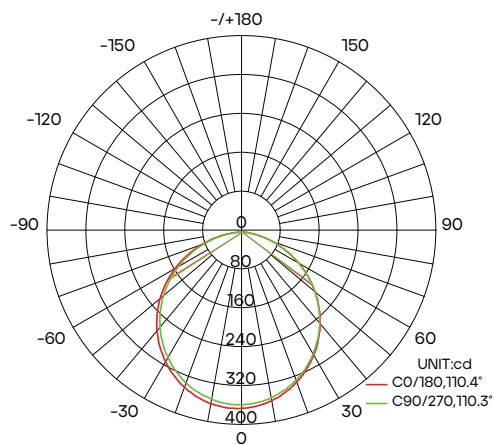
PACKAGING

MODEL	STYLE	INNER BOX DIMENSIONS	MASTER CARTON DIMENSIONS	CASE
LR23478	INNER BOX + MASTER CARTON	5.31" X 3.93" X 2.75"	12.40" X 11.22" X 9.25"	18
LR23480	INNER BOX + MASTER CARTON	5.31" X 5.31" X 2.75"	16.53" X 11.22" X 9.25"	18
LR23485	INNER BOX + MASTER CARTON	7.08" X 7.08" X 2.16"	21.85" X 14.76" X 7.48"	18

LuxiFlow™ PHOTOMETRICS

Luxrite® LuxiFlow® tool is for informational purposes only, it is not intended to provide lighting or electrical advise.

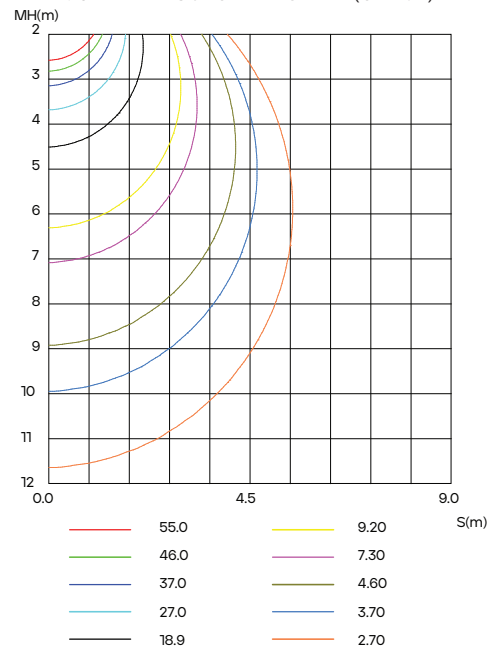
LUMINOUS INTENSITY DISTRIBUTION DIAGRAM



AVERAGE BEAM ANGLE(50%): 110.3 DEG

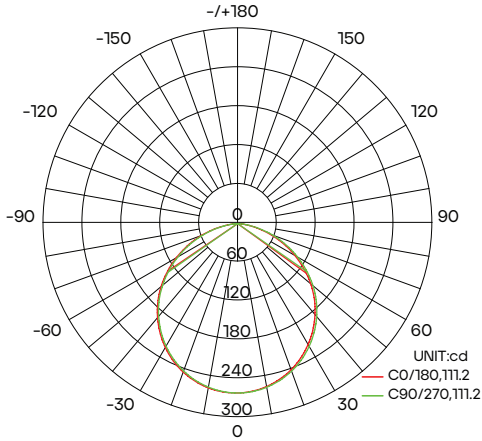
*DIAGRAM SHOWING LR23478 AT 2700K

C0 PLANE ISOLUX DIAGRAM (UNIT:lx)



Luxrite® Luxiflow® tool is for informational purposes only, it is not intended to provide lighting or electrical advise.

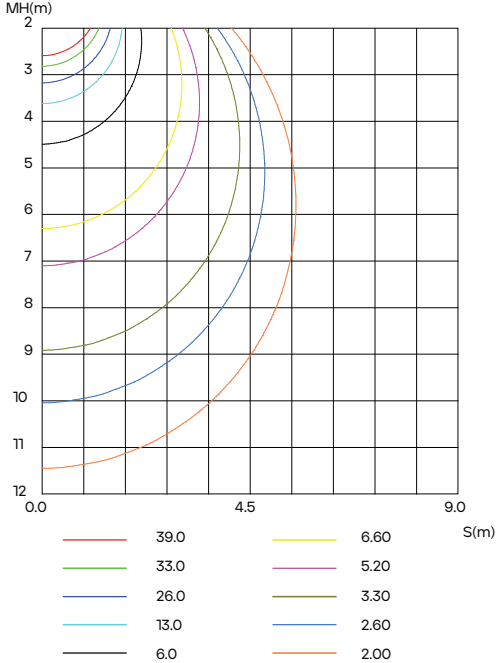
LUMINOUS INTENSITY DISTRIBUTION DIAGRAM



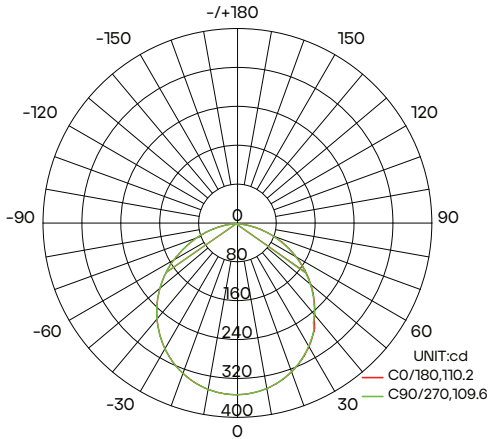
AVERAGE BEAM ANGLE(50%): 111.2 DEG

*DIAGRAM SHOWING LR23491 AT 2700K

CO PLANE ISOLUX DIAGRAM (UNIT:lx)



LUMINOUS INTENSITY DISTRIBUTION DIAGRAM



AVERAGE BEAM ANGLE(50%): 109.9 DEG

*DIAGRAM SHOWING LR23493 AT 2700K

CO PLANE ISOLUX DIAGRAM (UNIT:lx)

