

AMERICAN BRIGHT **OPTOELECTRONICS CORP.**

Specification for LED Driver Series

AB-D2060-V24-Q



Description:

High-Cost Performance, complies with Class2 standard of electric shock protection, Wide input voltage, flat and slim design, helpful for furniture or cabinet lighting applications, for Europe and US markets. SELV, open circuit, short circuit, overload, and over-temperature protection. Compliance with ERP directive, 5-year warranty.

Model

Model	Rated Output Voltage	Rated Output Current	Maximum Output Power	Output Voltage Tolerance
AB-D2060-V24-Q	24V	0-2.5A	60W	±5%

Naming System:

AB-D2060-V24-Q

20: IP20

60: 60 Watts

V24: 24 Volts

Q: NO Dimming



AMERICAN BRIGHT OPTOELECTRONICS CORP.

Input

Parameter	Conditions	Request	Note
Input Voltage	Ta	100-240Vac	--
Input Frequency		50Hz/60Hz	--
Input Current	25°C, rated input voltage, output with maximum rated power	< 0.80A	--
Input Power		< 72W	--
Efficiency		≥ 87%	--
Stand-By Power Consumption	25°C, rated input voltage, output without load	< 0.5W	Average
Inrush Current	25°C, rated input voltage	< 75A	Peak
Power Factor	25°C, rated input voltage, output with maximum rated power	≥ 0.90	--

Output

Parameter	Conditions	Request	Note
Startup time	25°C, rated input voltage, output with maximum rated power	< 0.5s	--
Output Voltage and Precision	Ta, Rated Input Voltage	24V±5%	--
Output Current Range	Ta, Rated Input Voltage	0-2.5A	60W
Output Voltage Wave	25°C, rated input voltage, output with maximum rated power	<240mV	Vp-p
Output Overload	25°C, rated input voltage, output with 2 times LED Load	Yes	--
Output Current and Precision	Ta, Rated Input Voltage, output with rated power	--	--
Open Circuit Voltage	Ta, Rated Input Voltage, No Load	--	--
Output Current Wave	25°C, rated input voltage, output with maximum rated power	--	Ip-p
Dimming Mode	--	--	--
Dimming Range	--	--	--



AMERICAN BRIGHT OPTOELECTRONICS CORP.

Protection

Parameter		Conditions	Request
Protection	Open Circuit	Ta, rated input voltage, no load	--
	Overload	Ta, 0.94-1.06 times of input voltage 1.4 times of rated power	Yes
	Short Circuit	Ta, 0.94-1.06 times of input voltage	Yes
	Over Temperature	Ta, 0.94-1.06 times of input voltage, temperature detected pointed more than 115 degrees	Yes
	Over Voltage	Ta, 0.94-1.06 times of input voltage, output voltage is 1.3 times of rated one	Yes
	Auto Recovery	Overload, short circuit revocation	Yes
	Latch Off	Over voltage, over heat restart after cut off	Yes

Temperature and Others

Parameters	Conditions	Request
Operating Temperature	--	-20-45°C
Relative Humidity	--	45%-85%
Maximum Case Temperature	--	90°C
Lifetime	Max. Ta, rated input voltage, output with max. rated power	30,000 hrs
Working Noise	25°C, rated input voltage, output with rated power, mute box background noise <35dB, pickup 10cm distance from products	Yes



AMERICAN BRIGHT OPTOELECTRONICS CORP.

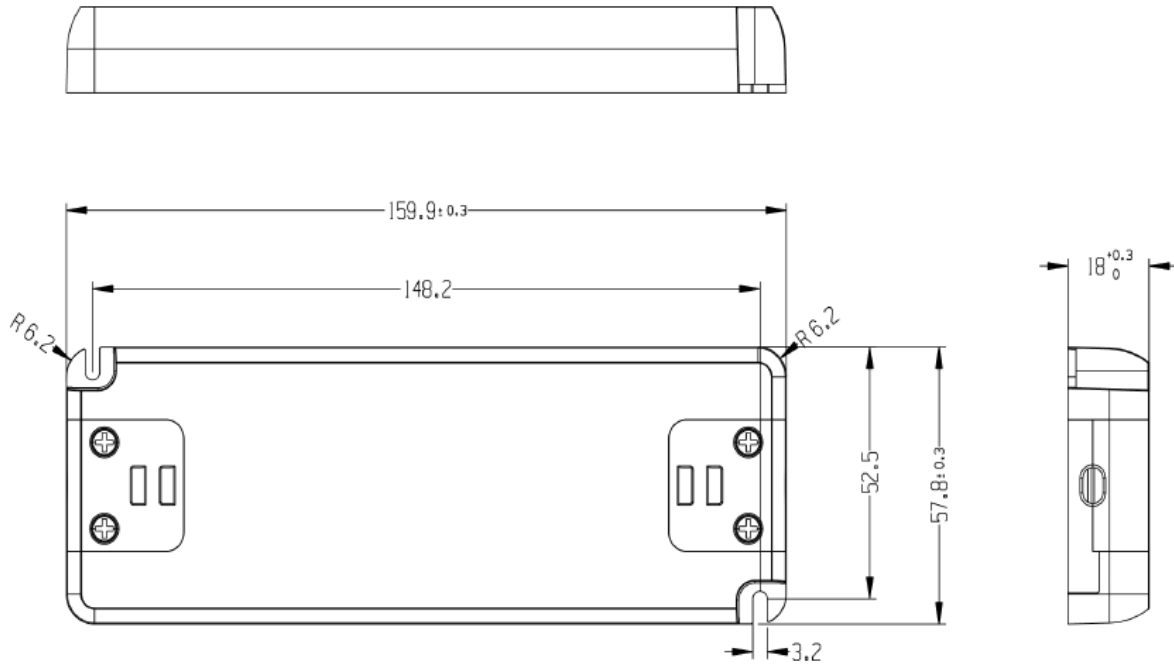
Mechanical, Mounting

Items	Conditions
Case Material and Size	Plastic 159.9 x 57.8 x 18mm
Mounting Ways	Independent
Insulation Type	Class II
IP Grade	IP20
Input Cables dimension	18AWG, H03VVH2-F 2x0.75mm ²
Output Cables Dimension	18AWG, H03VVH2-F 2x0.75mm ²
Output Cables Length	Max. 2000mm

Safety & Standards

Items	Conditions
Safety	IEC61347-1, IEC61347-2-13, UL8750
Harmonic	IEC61000-3-2 Class C
EMI	IEC55015, FCC PART 15 Class B
EMS	IEC61547

Mechanical Specification (Unit: mm)



Wiring Diagram

