

KT-EC-TP1-XX3RGW-SD-RC

EXIT SIGN

INSTALLATION INSTRUCTIONS

PLEASE FIND A QUALIFIED ELECTRICIAN FOR INSTALLATION. Please read the instructions before you install and use the fixture.

SAFETY AND ELECTRICAL PARAMETERS

WARNING

- FAILURE TO FOLLOW THESE INSTRUCTIONS AND WARNINGS MAY RESULT IN DEATH, SERIOUS INJURY OR SIGNIFICANT PROPERTY DAMAGE. FOR YOUR PROTECTION, READ AND FOLLOW THESE WARNINGS AND INSTRUCTIONS CAREFULLY BEFORE INSTALLING OR MAINTAINING THIS EQUIPMENT. THESE INSTRUCTIONS DO NOT ATTEMPT TO COVER ALL INSTALLATION AND MAINTENANCE SITUATIONS. IF YOU DO NOT UNDERSTAND THESE INSTRUCTIONS OR ADDITIONAL INFORMATION IS REQUIRED, CONTACT THE MANUFACTURER. RISK OF ELECTRIC SHOCK – NEVER CONNECT TO, DISCONNECT FROM, OR SERVICE WHILE EQUIPMENT IS ENERGIZED.
- RISK OF FIRE. Lamps are hot. Keep combustible material away from hot parts. Observe lamp manufacture's warnings, recommendations and restrictions on lamp operation and maintenance. Make sure lamps are correctly installed.
- RISK OF ELECTRIC SHOCK. NEVER CONNECT TO, DISCONNECT FROM, OR SERVICE WHILE EQUIPMENT IS ENERGIZED.

CAUTION

- The battery in this unit may not be fully charged. After electricity is connected to unit, let battery charge for at least 24 hours, then normal operation of this unit should take effect. To check, press the TEST button. The lamps on the unit should turn on. (Refer to OPERATION BATTERY BACK UP for more testing information)

IMPORTANT SAFEGUARDS:

IMPORTANT SAFEGUARDS: WHEN USING ELECTRICAL EQUIPMENT, BASIC SAFETY PRECAUTIONS SHOULD ALWAYS BE FOLLOWED, INCLUDING THE FOLLOWING:

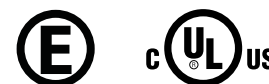
- Do not use outdoors. Suitable for use in 0°C-40°C (32°F-104°F) indoor damp locations.
- Consult local building code for approved wiring and installation.
- Disconnect AC power before servicing and installation.
- Do not mount near gas or electric heaters.
- Do not use this equipment for anything other than its intended use.
- The use of accessory equipment not recommended by the manufacturer will void product listing and warranty and may cause an unsafe condition.
- Equipment should be mounted in locations and at heights where it will not be subject to tampering by unauthorized personnel.
- Use caution when servicing batteries.
- Cap unused wires with enclosed wire nuts or other approved method.
- Make sure wire terminations are secure and leads are properly tucked in appropriate wire channels.

COMPONENTS INCLUDED IN KIT

Part	Quantity
LED Exit Sign Housing	1 each
EXIT Sign Facing	2 each
Solid Back Facing	1 each
Red Diffuser	2 each
Green Diffuser	2 each
Rechargeable Battery	1 each
Canopy for Top & Side Mounting	1 each
Wire Nut	3 each
Mounting Screw	2 each
JBox Mounting Plate	1 each

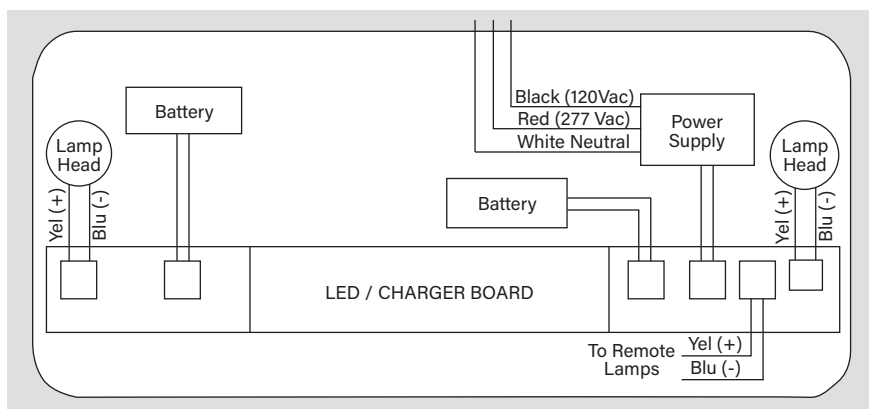
Caution: Before installing, ensure that AC power to the fixture is off.

Caution: The electrical rating of this product is 120/277V. Installer must confirm that there is 120/277V at the fixture before installation.



WIRING DIAGRAMS

GENERAL WIRING DIAGRAM



INSTALLATION INSTRUCTIONS

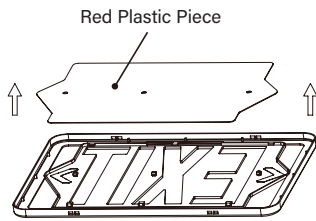


FIG. A

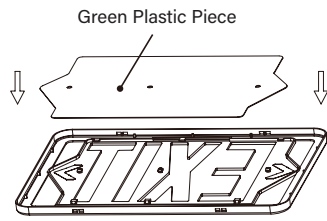


FIG. B

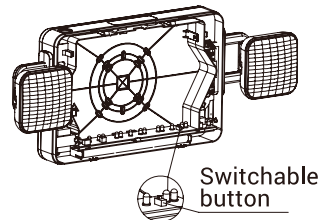
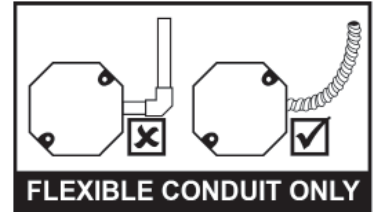
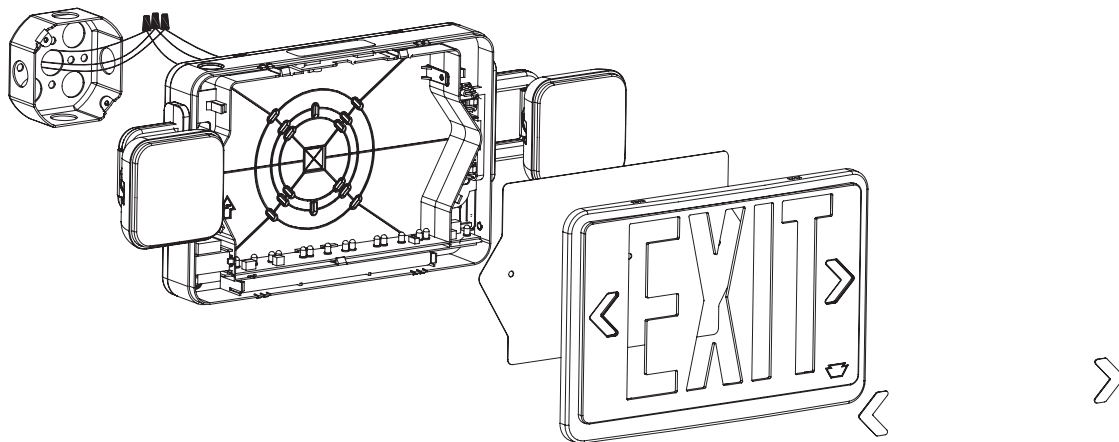


FIG. C



BACK MOUNT

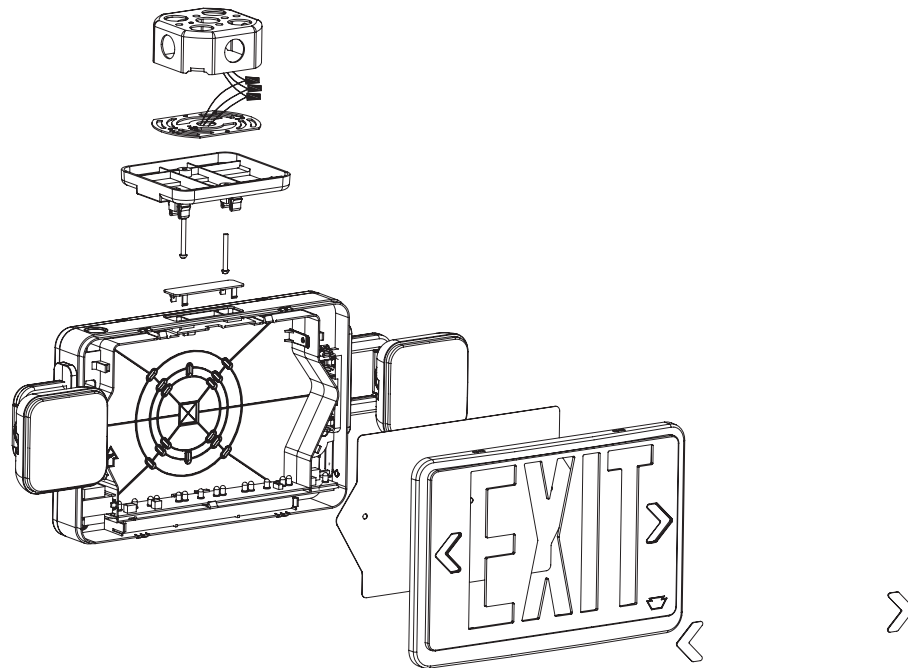
1. Remove EXIT stencil faceplate from housing. Remove RED diffuser from faceplate (see Fig. A). Set aside. The second EXIT stencil faceplate will not be used.
2. Drill or knock out appropriate knockouts on back plate to fit junction box mounting points.
3. Drill or knock out center hole in back plate for supply wire leads.
4. Route EXIT sign input wires through center hole of the back plate and make wiring connection. For 120V, use black and white wires and for 277V, use red and white wires. See Wiring Diagram. **WARNING:** Properly insulate the unused lead with a wire nut (provided) or other approved means.
5. Push wire connection into the junction box. Secure mounting plate to junction box (hardware not included).
6. Secure back plate to steel mounting plate.
7. Toggle the switch to select GREEN, if applicable (see Fig. C).
8. Connect battery.
9. Remove knockout chevron/arrow(s) on faceplate, as needed. Reinsert RED diffuser to faceplate (see Fig. A) (or GREEN if applicable, see Fig. B). Secure EXIT stencil faceplate back onto housing.
10. Apply continuous AC power, LED indicator will be RED.
11. Press "TEST" button to check operation. See OPERATION (BATTERY BACKUP) for testing procedures.



INSTALLATION INSTRUCTIONS (CONTINUED)

TOP MOUNT

1. Remove EXIT stencil faceplate from housing. Remove RED lens from faceplate (see Fig. A). Set aside.
2. Place screws (provided) in holes on the canopy
3. Remove the desired mounting hole plug located on the frame of the sign. For top mount, hole plug will be located on the top of the housing. For side mount, hole plug will be located on the side of the housing.
4. Place canopy tab through the mounting hole of the housing until the flat portion of the canopy is touching the housing frame. Lock the canopy into place by sliding the canopy, without turning, toward smaller end of the mounting hole until the tab is fully engaged and locked into place. Once canopy is in the locked position there will not be any side-to-side movement of the canopy.
5. Route EXIT sign input wires through canopy and through metal mounting plate.
6. Make wiring connection. For 120V, use black and white wires and for 277V, use red and white wires. See Wiring Diagram. WARNING: Properly insulate the unused lead with a wire nut (provided) or other approved means.
7. Push wire connections into the junction box. Secure mounting plate to junction box (hardware not included).
8. Secure canopy to the steel mounting plate with screws from step 2.
9. Toggle the switch to select GREEN, if applicable (see Fig. C).
10. Connect battery.
11. Remove knockout chevron/arrow(s) on faceplate(s), as needed. Reinsert RED diffuser to faceplate(s) (see Fig. A) or GREEN if applicable, (see Fig. B). Secure EXIT stencil faceplate back onto housing. For double sided sign, replace back plate with second EXIT stencil faceplate.
12. Apply continuous AC power, LED indicator will be RED.
13. Press "TEST" button to check operation. See OPERATION (BATTERY BACKUP) for testing procedures.



USE WITH OPTIONAL REMOTE HEADS

This emergency light is remote capable. It is equipped with a larger battery to provide power to up to two additional remote single heads or a single remote double head.

To install optional remote head(s):

1. During installation wiring above (step 2), wire remote head extension wire to the third pair of Yellow (+) and Blue (-) connections.
2. Route extension wire to location for additional mounted head. If installing two separate remote heads, wire to each head individually from the main fixture. Connect Yellow (+) to the positive wire of the remote head(s), and Blue (-) to the negative wire of the remote heads.
3. When pressing the "TEST" button, the main fixture and any connected remote heads should all turn on.

OPERATION (BATTERY BACKUP)

1. Apply AC power to the unit. The LED indicator will be RED.
2. After the battery has been left to charge for 24 hours, test the unit by pushing the test switch. The LED indicator will turn OFF, the Exit Sign will remain ON, and the Illuminated Heads will turn ON.
3. When the switch is released, the LED indicator turns back to RED and the Exit Sign will remain ON, but the Illuminated Heads will turn OFF.

MAINTENANCE

CAUTION: Always turn off AC power to the equipment before servicing. Servicing should be performed only by a qualified service technician. Use only MANUFACTURER supplied replacement parts.

BATTERY: The battery supplied with the EL model requires no maintenance. However, it should be tested periodically and replaced when it no longer operates the connected sign for the duration of a 30 second or 90 minute test. The battery supplied in this sign has a typical life of 5 years when used in a normal ambient temperature of 72°F.