

2", 4", 6" LED RECESSED MINI PANEL - 5 CCT & 3 WATTAGE SELECTABLE LR23900, LR23902, LR23903, LR23905

IMPORTANT:

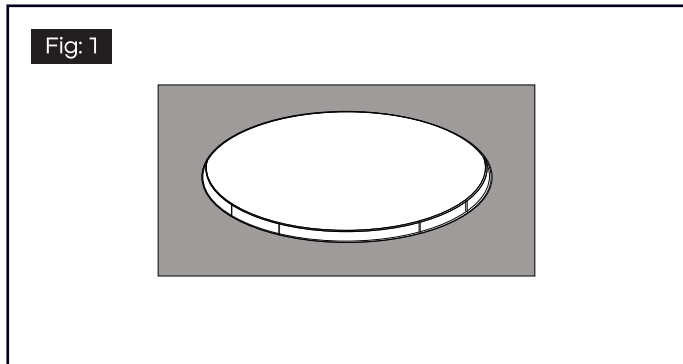
READ ALL INSTRUCTIONS BEFORE INSTALLING FIXTURES. KEEP FOR FUTURE REFERENCE.

SAFETY: FOR YOUR SAFETY, THIS FIXTURE MUST BE WIRED IN ACCORDANCE TO LOCAL ELECTRICAL CODES AND ORDINANCES. ALL WORK SHOULD BE DONE BY A QUALIFIED ELECTRICIAN.

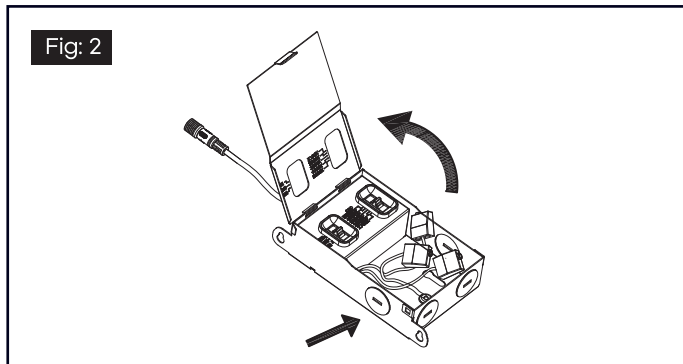
WARNING: MAKE SURE POWER IS OFF FROM THE ELECTRICAL PANEL BEFORE STARTING INSTALLATION OR ATTEMPTING ANY MAINTENANCE. INDOOR INSTALLATION ONLY.

INSTALLATION

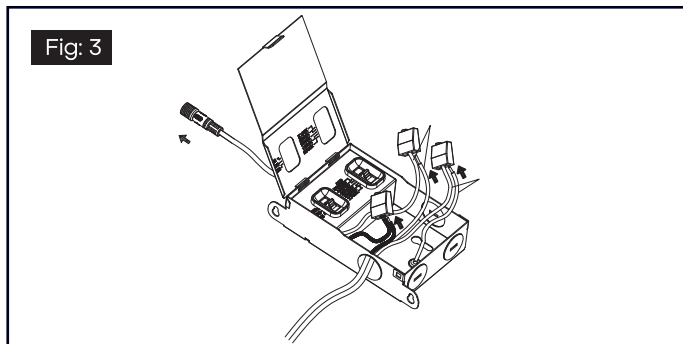
1. TURN POWER OFF FROM THE ELECTRICAL PANEL BEFORE INSTALLATION.
2. USE TEMPLATE INSIDE BOX TO CUT HOLE IN CEILING. (FIG.1)



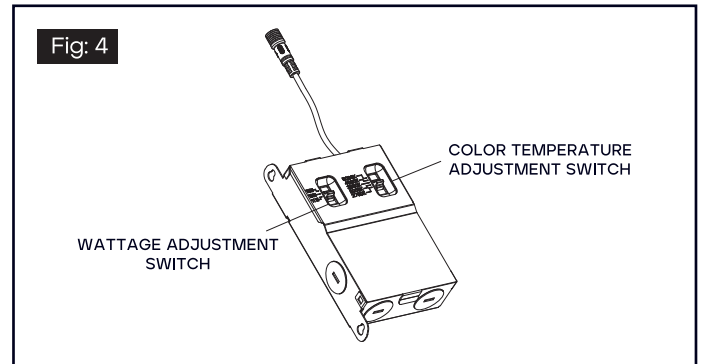
3. OPEN THE DRIVER BOX AND REMOVE THE KNOCKOUT(S). (FIG.2)



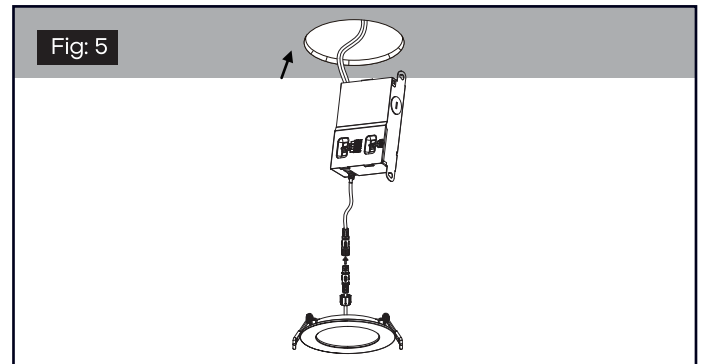
4. INSERT THE ELECTRICAL SUPPLY CABLE THROUGH THE KNOCKOUT AND SECURE WITH A TERMINAL. WIRE DRIVER BOX (FIG.3), WHITE-WHITE, BLACK - BLACK, GREEN - GREEN/GROUND.



5. PLACE ALL WIRING AND CONNECTIONS BACK INTO THE BOX, CLOSE THE COVER AND SELECT DESIRED CCT AND WATTAGE. (FIG.4)



6. PLACE THE DRIVER BOX INTO THE CEILING AND CONNECT THE FIXTURE TO DRIVER BOX. (FIG.5)



7. LIFTING BOTH RETENTION TABS UPWARD. PUSH UNTIL THE TRIM SITS FLUSH AGAINST THE CEILING. (FIG.6)

