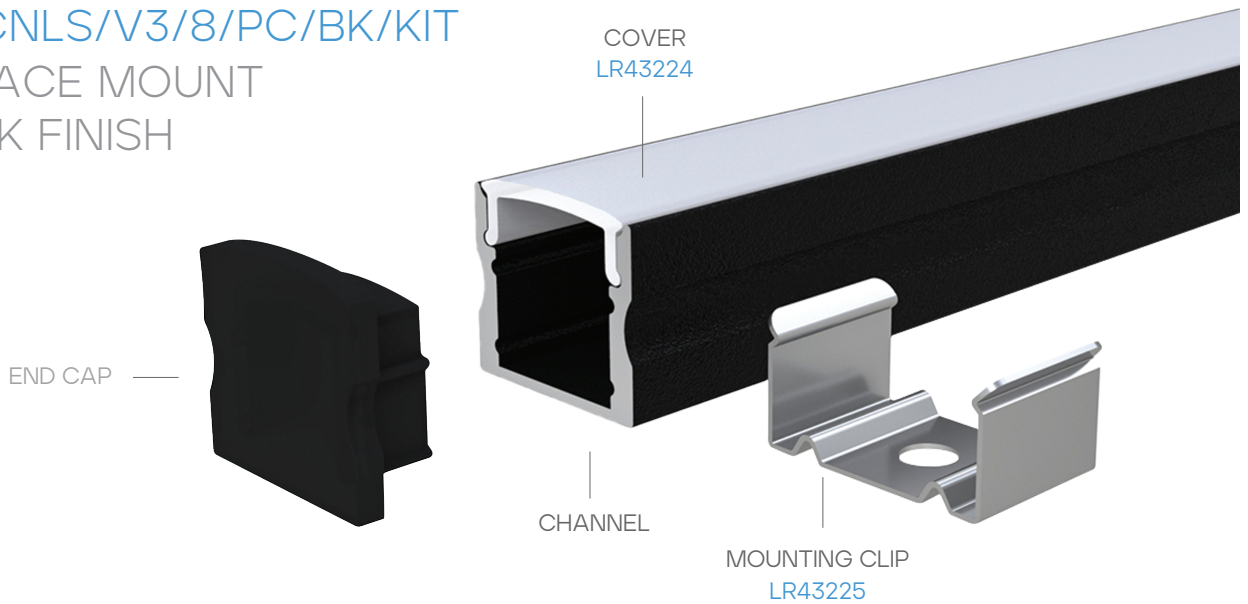


LR43221

LED/CNLS/V3/8/PC/BK/KIT
SURFACE MOUNT
BLACK FINISH



BUNDLE COMPONENTS (INCLUDED)

END CAP
PC COVER: LR43224 – LED/CNLS/V3/CVR/PC
MOUNTING CLIP: LR43225 – LED/CNLS/V3/CLIP

CONNECTORS (*SOLD SEPARATELY)

LR43226
LED/CNLS/V3/JCON90
TYPE: 90°



LR43227
LED/CNLS/V3/JCON180
TYPE: 180°



SPECIFICATIONS

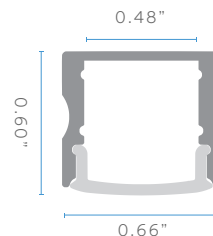
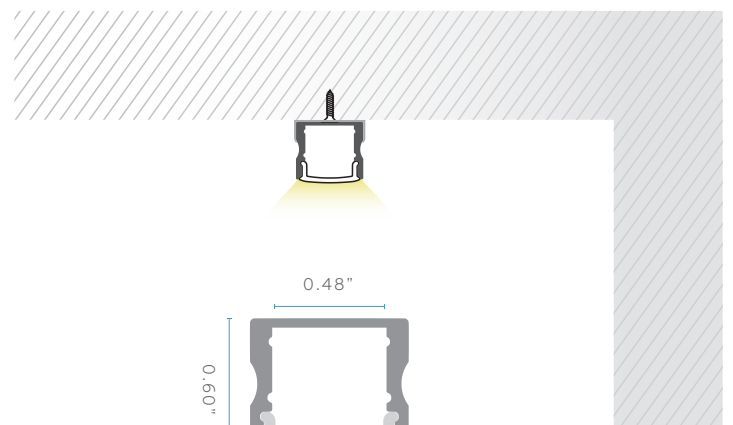
LENGTH:	96"
MATERIAL:	ALUMINUM
END CAP MATERIAL:	PVC
COVER:	MILKY PC
FINISH:	BLACK
FIELD CUTTABLE:	YES
LOCATION:	DRY

TAPE LIGHT COMPATIBILITY:

POWER RATE:	≤15W/M
TAPE WIDTH:	≤13MM

- LR44100 • LR44101 • LR44102 • LR44103 • LR44104
- LR44120 • LR44121 • LR44122 • LR44123 • LR44124
- LR44200 • LR44201 • LR44202 • LR44203 • LR44204
- LR44300 • LR44301 • LR44302 • LR44303 • LR44304
- LR44400 • LR44401 • LR44402 • LR44403 • LR44404

INSTALLATION



DIMENSIONS