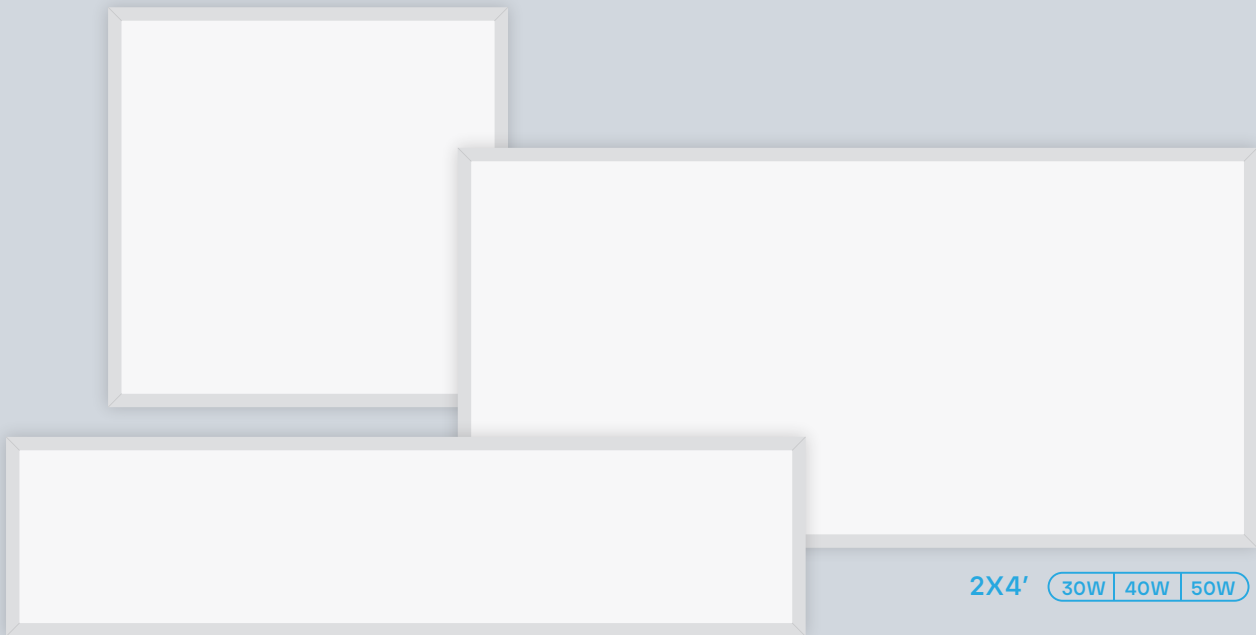


## LED LAY IN FLAT PANEL - BACKLIT ANTI-GLARE 1X4', 2X2', 2X4'



2X2' 30W 35W 40W



2X4' 30W 40W 50W

1X4' 30W 35W 40W

EMERGENCY + MOTION SENSOR  
OPTION ALSO AVAILABLE

LR24250+EM  
LR24253+EM  
LR24255+EM



LR24250+MS



COLOR SELECTABLE

4000K 5000K 6500K

WATTAGE  
SELECTABLE

3 OPTIONS

DIMMABLE

0-10V

ANTI  
GLARE



\*OPTION  
AVAILABLE

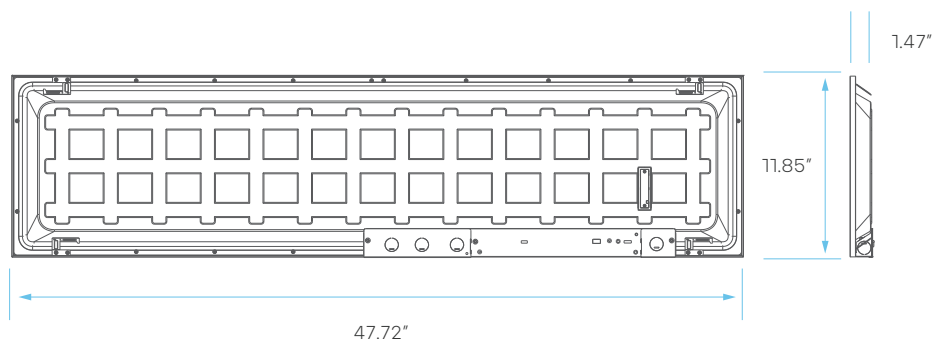
IC  
RATED

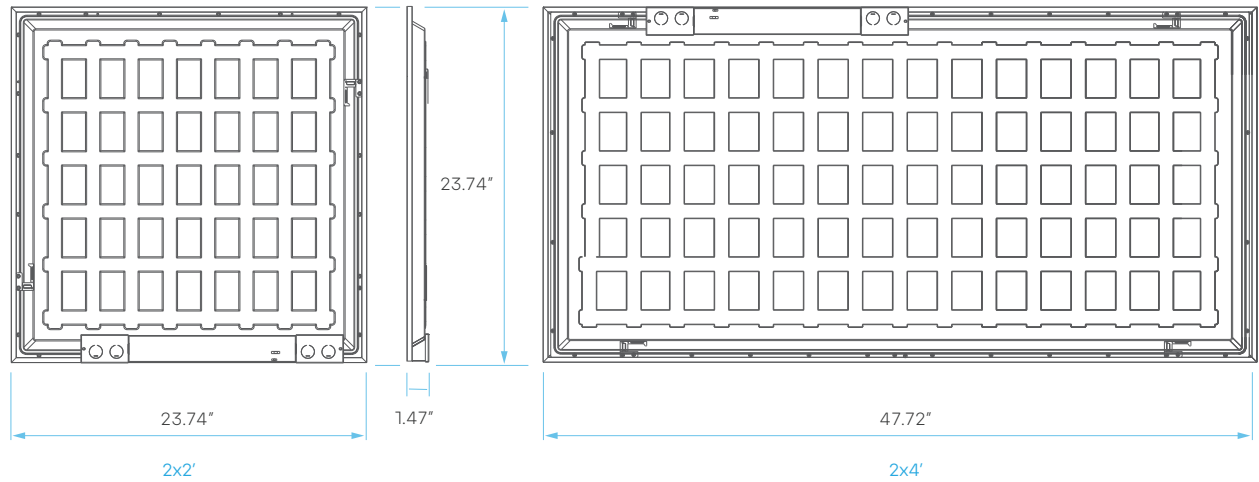


DAMP  
LOCATION  
RATED



1x4'





## ELECTRICAL

	MODEL	DESCRIPTION	POWER	INPUT VOLTS	EFFICACY	LIFETIME	COST/YR	EMERGENCY TIME	MOTION SENSOR
2X2	LR24250	LED2X2BPNL/3WO/3CCTD/AG/D	30	100-277V	125	50,000	\$ 4.81		
			35						
			40						
	LR24250+EM	LED2X2BPNL/3WO/3CCTD/AG/D+EM	30	100-277V	125	50,000	\$ 4.81	90 MINS	
			35						
			40						
LR24250+MS	LED2X2BPNL/3WO/3CCTD/AG/D+MS	30	100-277V	125	50,000	\$ 4.81		BI-LEVEL	
		35							
		40							
2X4	LR24253	LED2X4BPNL/3WO/3CCTD/AG/D	30	100-277V	125	50,000	\$ 6.02		
			40						
			50						
	LR24253+EM	LED2X4BPNL/3WO/3CCTD/AG/D+EM	30	100-277V	125	50,000	\$ 6.02	90 MINS	
			40						
			50						
1X4	LR24255	LED1X4BPNL/3WO/3CCTD/AG/D	30	100-277V	125	50,000	\$ 4.81		
			35						
			40						
	LR24255+EM	LED1X4BPNL/3WO/3CCTD/AG/D+EM	30	100-277V	125	50,000	\$ 4.81	90 MINS	
			40						

## PHOTOMETRIC

MODEL	DESCRIPTION	COLOR (CCT)	TEMP	LUMEN	CRI	UL	DLC LISTED
LR24250	LED2X2BPNL/3WO/3CCTD/AG/D	3500K	CCT SELECT	3750	80	YES	S-TRKMCI
		4000K		4375			
		5000K		5000			
LR24250+EM	LED2X2BPNL/3WO/3CCTD/AG/D+EM	3500K	CCT SELECT	3750	80	YES	S-TRKMCI
		4000K		4375			
		5000K		5000			
LR24250+MS	LED2X2BPNL/3WO/3CCTD/AG/D+MS	3500K	CCT SELECT	3750	80	YES	S-TRKMCI
		4000K		4375			
		5000K		5000			
LR24253	LED2X4BPNL/3WO/3CCTD/AG/D	3500K	CCT SELECT	3750	80	YES	S-WY7XAL
		4000K		5000			
		5000K		6250			
LR24253+EM	LED2X4BPNL/3WO/3CCTD/AG/D+EM	3500K	CCT SELECT	3750	80	YES	S-WY7XAL
		4000K		5000			
		5000K		6250			
LR24255	LED1X4BPNL/3WO/3CCTD/AG/D	3500K	CCT SELECT	3750	80	YES	S-HNY2PB
		4000K		4375			
		5000K		5000			
LR24255+EM	LED1X4BPNL/3WO/3CCTD/AG/D+EM	3500K	CCT SELECT	3750	80	YES	S-HNY2PB
		4000K		4375			
		5000K		5000			



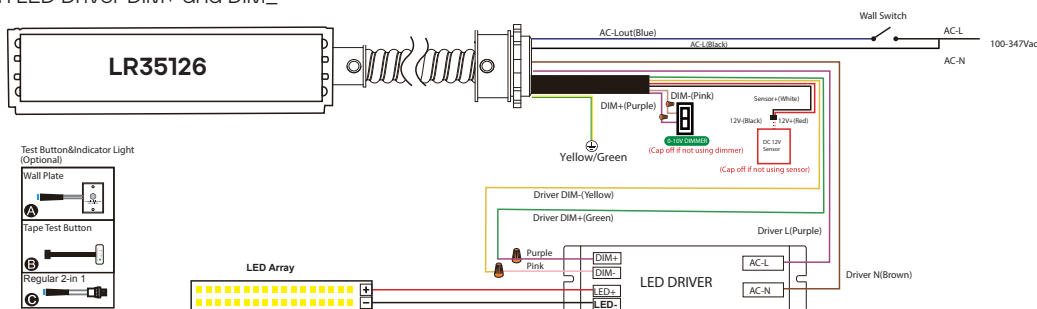
## LR35126 - SPECIFICATIONS

MODEL	DESCRIPTION	EM POWER	INPUT VOLTS	FREQUENCY	INPUT CURRENT	INPUT POWER	OUTPUT VOLTAGE	RECHARGE TIME	EMERGENCY TIME
LR35126	LED/EMR/15W/AC/SF/E	15	100-347V	50/60Hz	100mA	12W max	170V DC	24Hr	90min

AMBIENT TEMPERATURE: 41°F ~ 122°F

## LR35126 - WIRING DIAGRAM

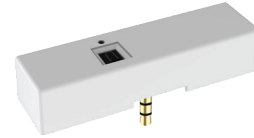
1. For LED luminaires with 0-10V dimmable LED driver (\*LED Driver input power <100W) Emergency Driver Dim+ (Green), Driver Dim- (Yellow) has to connect with LED Driver DIM+ and DIM\_



**LR24248**  
AUDIO JACK  
SMART SENSOR



**LR24247**  
AUDIO JACK  
STANDARD SENSOR



**LR25189**  
MW BI-LEVEL  
REMOTE

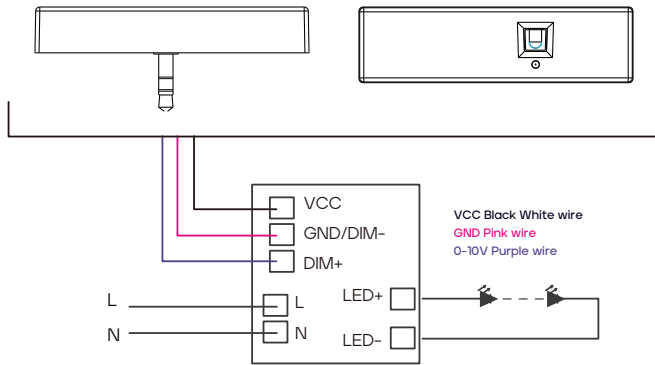


## MOTION SENSOR - SPECIFICATIONS

MODEL	DESCRIPTION	POWER	INPUT VOLTS	DIMMING	INSTALL HEIGHT	DETECTION RANGE	DETECTION ANGLE
LR24247	LEDSNS/BPNL/MW/BILEVEL/1P	<0.3W	12V	0-10V	13.12FT	9FT	30-150°
LR24248	LEDSNS/BPNL/MW/BILEVEL/SMRT/1P	<0.3W	12V	0-10V	13.12FT	9FT	30-150°

AMBIENT TEMPERATURE: -13°F ~ 140°F

### LR24247, LR24248 - WIRING DIAGRAM



### LR24247, LR24248 - INSTALLATION

