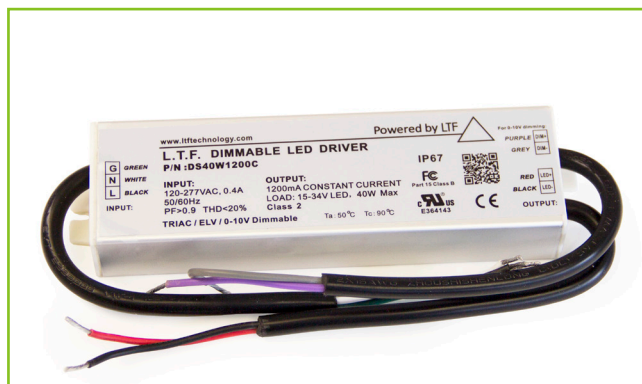




L.T.F

All-In-One Dimmable LED UNIdriver - CLASS 2

40W DS40W UniDriver 100-305V Series Constant Current / Constant Voltage



Efficiency	higher than 85%
Power Factor	>95%
Case TC	90°C Max.
Protection	Input / Output
Storage	-30°C / +90°C
Humidity	95% RH Max.
IP Rating	IP 67
Class	Class 2 Power Supply
Dimming	Triac/ELV/0-10V
Output Voltage	700mA-2100mA



RoHS



FCC Part 15
Class B compliant



FEATURES

- All-In-One dimming capabilities; Triac, ELV, and 0-10V dimming
- Universal input voltage; 100-305V AC
- Isolated output power per NEC and UL safety requirements
- UL recognized/ Listed, UL8750, UL1310
- Auto-reset ; Short circuit, Overload and Thermal protection
- Superior thermal performance
- Aluminum case with high W/m.K encapsulating material
- Low profile, small form factor, junction box mountable
- < 30% flicker with excellent dimming range
- Class 2 power supply and other than Class 2 options
- Efficient, high power factor, low THD, FCC Class B

ELECTRICAL SPECIFICATIONS

Constant Current				
Model #	Input	Output Voltage	Output Current	Available Form Factors
DS40W700C3057UD	100-305V AC 50/60Hz > 0.90 PF < 20% THD	30V-57VDC	700 mA	BF2, SM2, LI2
DS40W750C3054UD		30V-54VDC	750 mA	BF2, SM2, LI2
DS40W900C2545UD		25V-45VDC	900 mA	BF2, SM2, LI2
DS40W1000C2540UD		25V-40VDC	1000 mA	BF2, SM2, LI2
DS40W1100C2536UD		25V-36VDC	1100 mA	BF2, SM2, LI2
DS40W1200C1534UD		15V-34VDC	1200mA	BF2, SM2, LI2
DS40W1400C2028UD		20V-28VDC	1400 mA	BF2, SM2, LI2
DS40W2100C1219UD		12V-19VDC	2100 mA	BF2, SM2, LI2



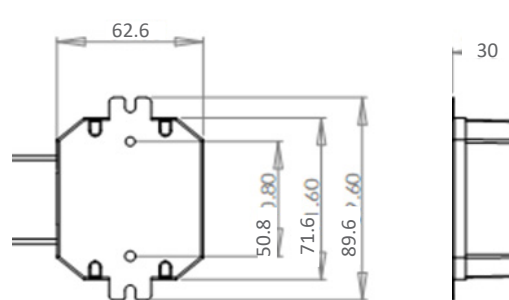
Constant Voltage				
Model #	Input Voltage	Output Voltage	Output Current	Available Form Factors
DS40W12VUD	100-305V AC 50/60Hz > 0.90 PF < 20% THD	12VDC	3330mA	LS3
DS40W24VUD		24VDC	1660mA	LS3

Remote Enclosure Option	
Model #	Remote Enclosure
LDS40WXXXXRE	G1
LDS40WXXXXREO	G4

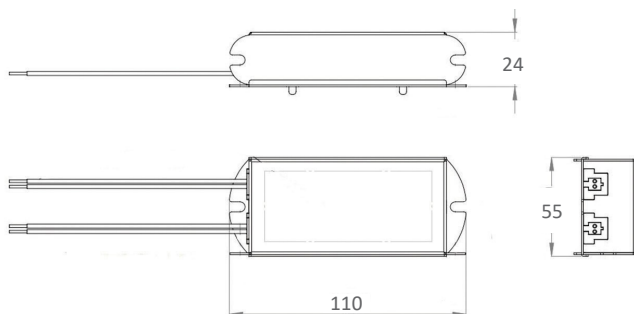
MECHANICAL SPECS.

Available Form Factors	Dimensions
"F3"	71.6x62.6x30mm
"SM2"	110x55x24mm
"LI2"	132x40x22mm
"BF2"	95.3x25.4x44.5mm
"BF21"	95.3x25.4x44.5mm
"LS3"	282x30x20mm
"G2"	233.1x85.5x48.9mm
"G3"	280x103x56mm

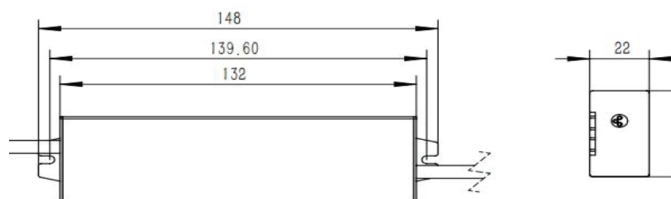
F3



SM2

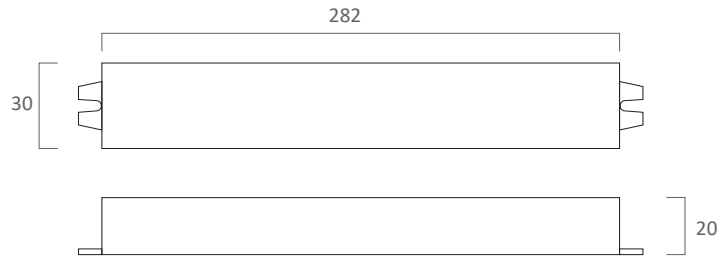


LI2

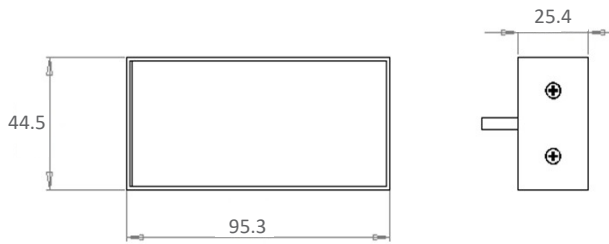




LS3

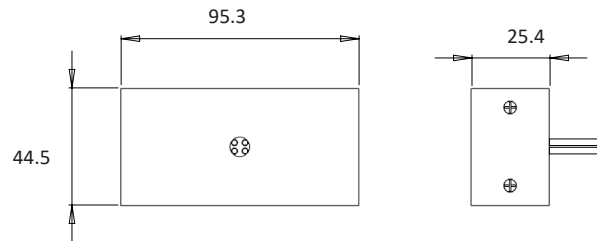


BF2*



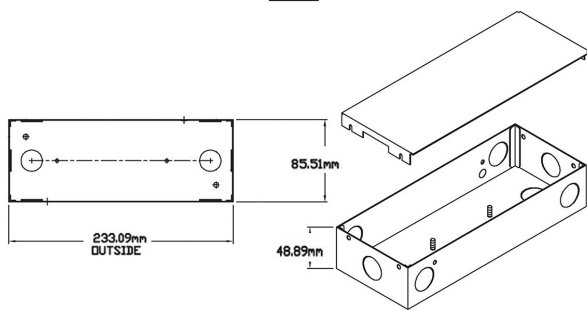
* With 13mm mounting studs

BF21**



** Without 13mm mounting studs

G2



G3

