

JBZN-SERIES | AFLEX

Constant Current
Programmable Electronic LED Driver
 0-10V | Zone Multi-Channel Dimming

Specification Sheet

The AFLEX JBZN (Junction Box Zone)-SERIES delivers a zone dimmable multi-channel solution for programmable AFLEX LED drivers, making it the perfect product for multi-output residential and commercial lighting applications. Available in surface or recessed mount, the high-quality metal junction box includes multiple 1¹/₈" knockouts and comes pre-wired for quick and easy installation. The AFLEX JBZN-SERIES is constructed with a high voltage compartment and utilizes DIN rail terminal blocks to support independent channel outputs.

The JBZN AFLEX Compact Series is available in 2 to 9 channel configurations. The AFLEX Compact-Series is an electronic Class 2 dimmable LED driver that features current limiting, hiccup mode, over temp protection as well as an efficiency of over 88%, resulting in low operating case temperature. The drivers are dimmable down to 0.1% with 0-10V dimmers.



JBZN-SERIES | AFLEX 60 W
2 to 4 channels



JBZN-SERIES | AFLEX 60 W
5 to 9 channels

- Installation:** Integrated junction box with multiple 1¹/₈" knockouts
- Driver Type:** Class 2 Multi-Channel
- Dimming:** Dimmable down to 0.1% with a 0-10V dimmer
- Dim to Off:** Yes
- Channel Dimming:** Individual zone dimming across all channels
- Input Voltage:** 120VAC-277VAC, 50/60Hz
- Output Voltage:** 3 to 57 Volts or 3 to 50 Volts (100W @ 2000mA)
- Output Current:** 100 to 1650mA or 100 to 2000mA (1mA Step Programmable)
- Environmental:** Dry
- Listing:** UL Listed, Class P, Class 2
- Certifications:** UL2108 | CSA C22.2 No. 250.0
- Warranty:** 5 year

MEETS
TITLE 24/JA8
 REQUIREMENTS

RoHS
 Compliant

UL
 LISTED

PROGRAMMABLE

DIM DOWN TO 0.1%

120 - 277VAC

CLASS 2

CLASS P



JBZN-SERIES | AFLEX 100W
2 to 3 channels



JBZN-SERIES | AFLEX 100W
4 to 7 channels

JBZN-SERIES | AFLEX

Constant Current
Programmable Electronic LED Driver
0-10V | Zone Multi-Channel Dimming

Specification Sheet

ORDERING GUIDES

JBZN-SERIES | AFLEX 60W / Channel

Type	No. of Channels	Max Power Per Channel	Output Current	Case Type	Dimming Curve	Voltage Range	Mounting	Finish
JBZN - JB Zone-Series	2 — 2 channel 3 — 3 channel 4 — 4 channel 5 — 5 channel 6 — 6 channel 7 — 7 channel 8 — 8 channel 9 — 9 channel	60 — 60W*	100 - 1400mA (3 - 57 VDC)	S — Side Feed Compact	G — Logarithmic L — Linear	N/A	R — Recessed S — Surface	W — White

*Consult factory for availability of other wattages

JBZN-SERIES | AFLEX 100W / Channel

Type	No. of Channels	Max Power Per Channel	Output Current	Case Type	Dimming Curve	Voltage Range	Mounting	Finish
JBZN - JB Zone-Series	2 — 2 channel 3 — 3 channel 4 — 4 channel 5 — 5 channel 6 — 6 channel 7 — 7 channel	100 — 100W*	100 - 1650mA (3 - 57 VDC) 100 - 2000mA (3 - 50 VDC)	L — Linear	G — Logarithmic L — Linear	G — 3 - 57VDC (up to 1400mA) D — 3 - 50VDC (up to 2000mA)	R — Recessed S — Surface	W — White

*Consult factory for availability of other wattages

SPECIFICATIONS

INPUT

Input Voltage Range	Universal 120 - 277VAC ± 10%
Input Frequency	50 / 60Hz
Input Current	0.29A - 0.6A @ 120VAC / 0.15A - 0.25A @ 277VAC* (Per Channel)
Inrush Current	38A Max
Efficiency	>88%
Power Factor	0.991 - 0.992 @ 120VAC / 0.90 - 0.95 @ 277VAC (Refer to graph on page 5*) *Depending on model

OUTPUT (Per Channel) - 2 to 9 Channel

Output Voltage Range	3 - 57VDC (100W version: 50VDC max. @ 2000mA)
Output Current Range	60W: 100-1400mA; 100W: 100-1650mA (100W version: 2000mA max available)
Current Range Increment	1mA step programmable
Output Current Tolerance	± 5%
Output Current Ripple	± 5% @ Max Load
Line Regulation	± 0.5%
Load Regulation	± 0.5%
Turn On Delay Time	0.4 sec @ Max Load
Sensor Power Supply (Aux)	12V up to 80mA
Stand-by Power	>1W

TERMINAL BLOCKS (All Input and Output)

Wire Gauge Range	26 to 12 gauge
------------------	----------------

JBZN-SERIES | AFLEX

Constant Current
Programmable Electronic LED Driver
0-10V | Zone Multi-Channel Dimming

Specification Sheet

SPECIFICATIONS, *Continued*

ENVIRONMENTAL

Environmental Protection Rating	Dry
Surge Protection	2.5kV
Operating Ambient Temperature	-40°C to +60°C
Operating Temperature	-40°C to +75°C
Storage Temperature	-40°C to +85°C
Expected Lifetime	50k hours at 75°C
Audible Noise	<24dB Class A
Withstanding Voltage	2.5kV

DIMMING

Dimming Control	0-10V
Dimming Input Range	-2 to +15V
Dimming Curves	Linear / Logarithmic (Programmable)
Minimum Dimming Level	Dim down to 0.1%
Dim-to-Off	Yes (Programmable)
Current Consumption	0.35A / Source (Per Channel)

LED THERMAL PROTECTION (NTC)

NTC Value (Manufacture: Vishay)	15 k Ω \pm 5% @ 25°C P/N: NTCS0805E3153JMT
--	---

PROTECTION

Over Current Protection	Current Limiting
Short Circuit Protection	Hiccup Mode
Over Voltage Protection	Hiccup Mode
Over Temperature Protection	Power Derating
Mis-wiring Protection	Auto Shutdown

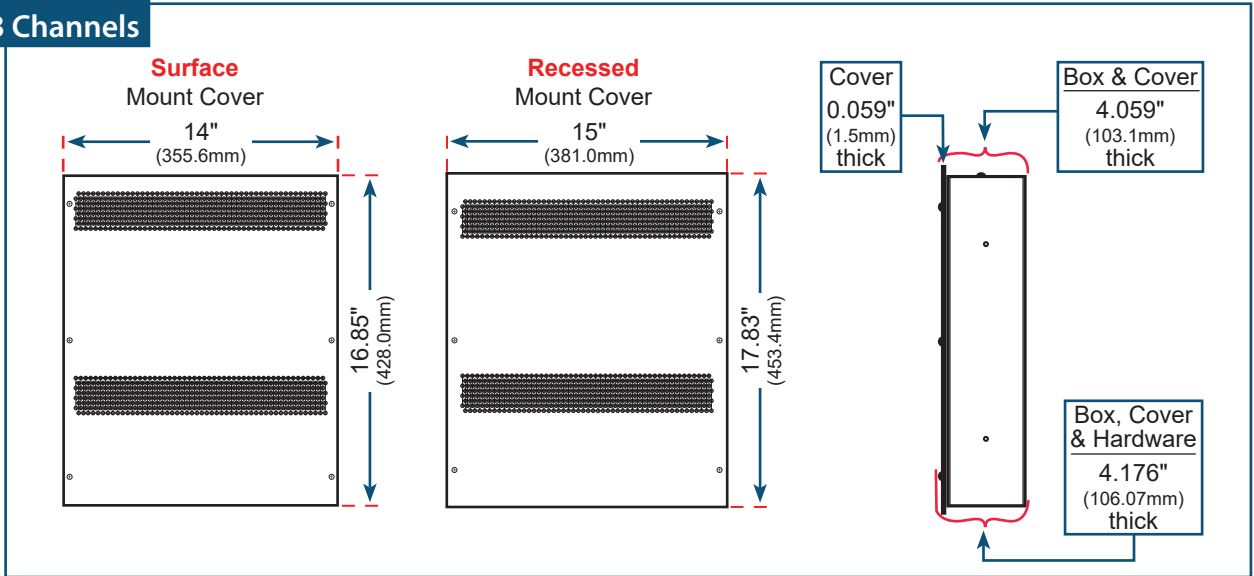
JBZN-SERIES | AFLEX

Constant Current
Programmable Electronic LED Driver
0-10V | Zone Multi-Channel Dimming

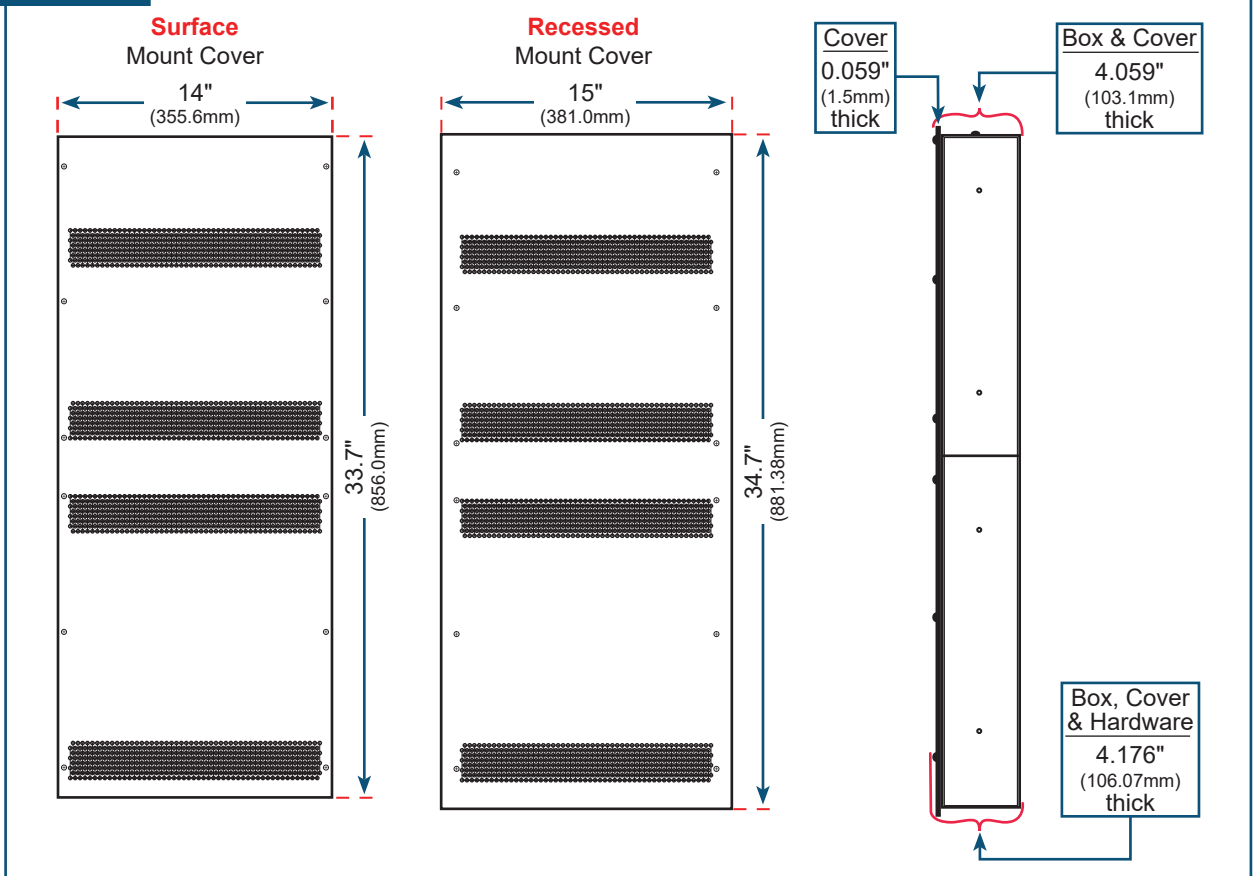
Specification Sheet

MECHANICAL DIAGRAMS

60W: 2 to 4 Channels
100W: 2 to 3 Channels



60W: 5 to 9 Channels
100W: 4 to 7 Channels

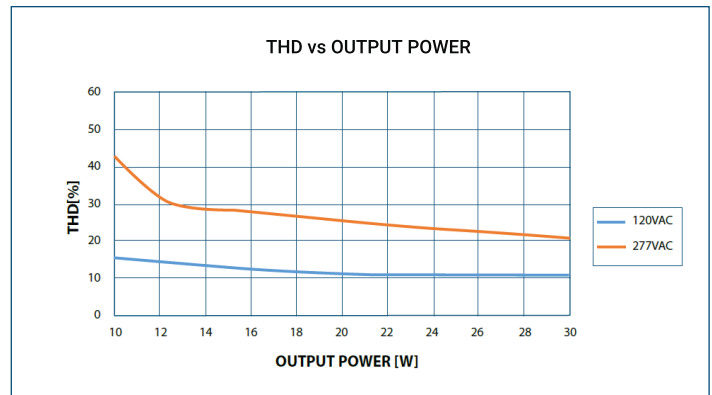
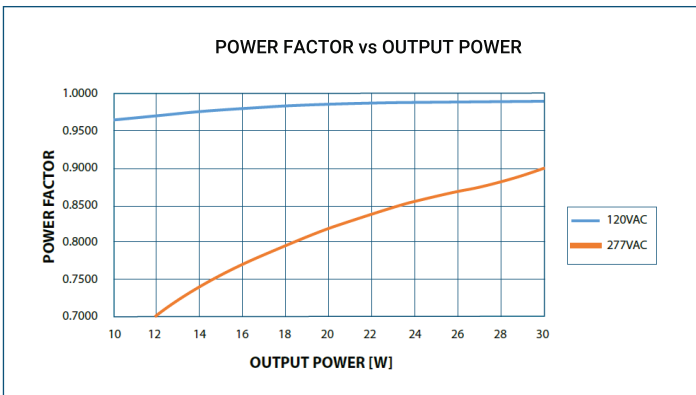
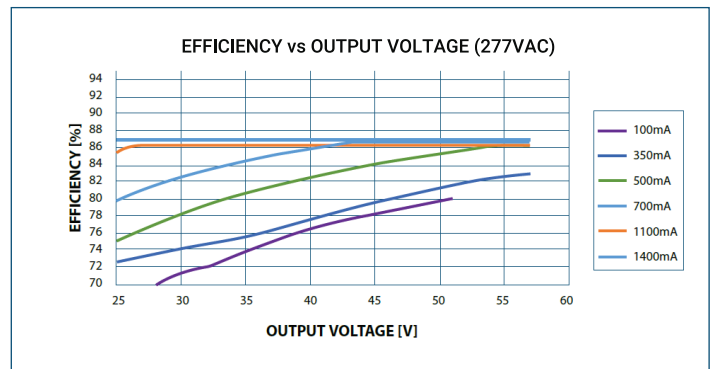
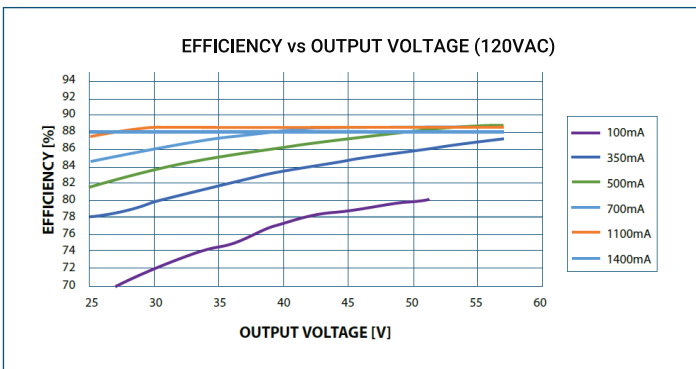
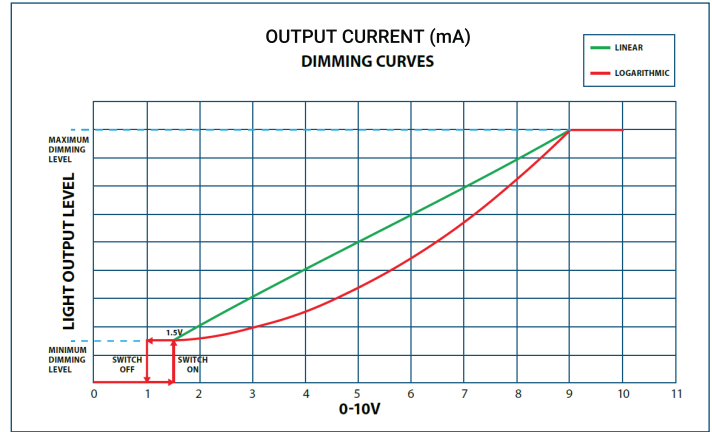
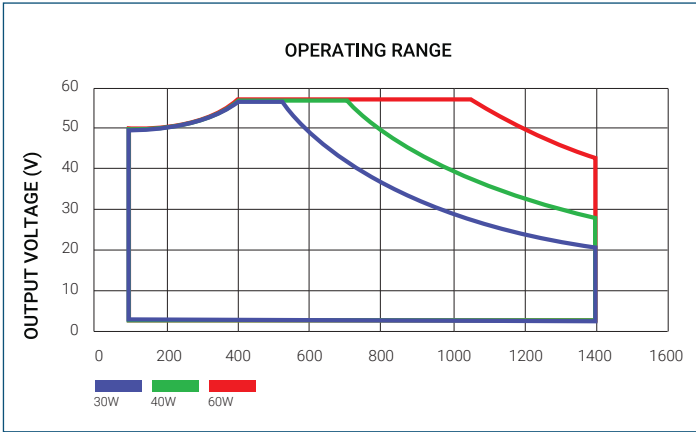


JBZN-SERIES | AFLEX

Constant Current
 Programmable Electronic LED Driver
 0-10V | Zone Multi-Channel Dimming

Specification Sheet

PER CHANNEL



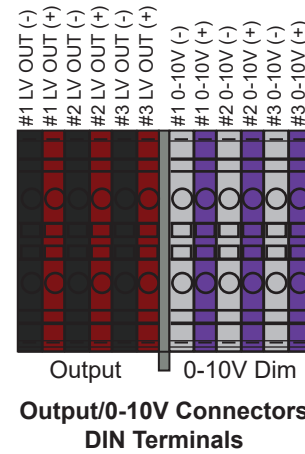
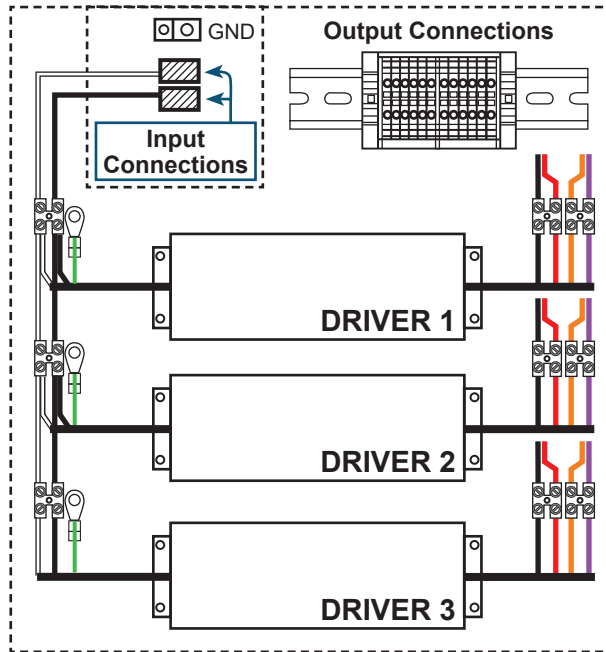
JBZN-SERIES | AFLEX

Constant Current
Programmable Electronic LED Driver
0-10V | Zone Multi-Channel Dimming

Specification Sheet

WIRING DIAGRAM

60W: 2 to 4 Channels
100W: 2 to 3 Channels



Note: Wiring diagram typical for 2 and 4 channel versions. Fits 26 to 12 gauge wire.

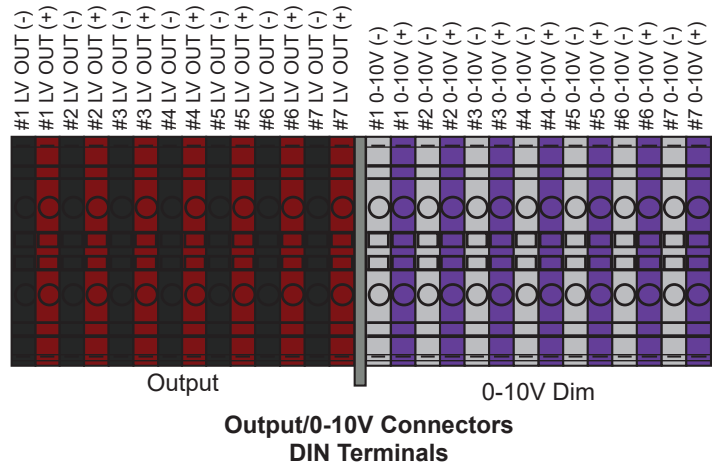
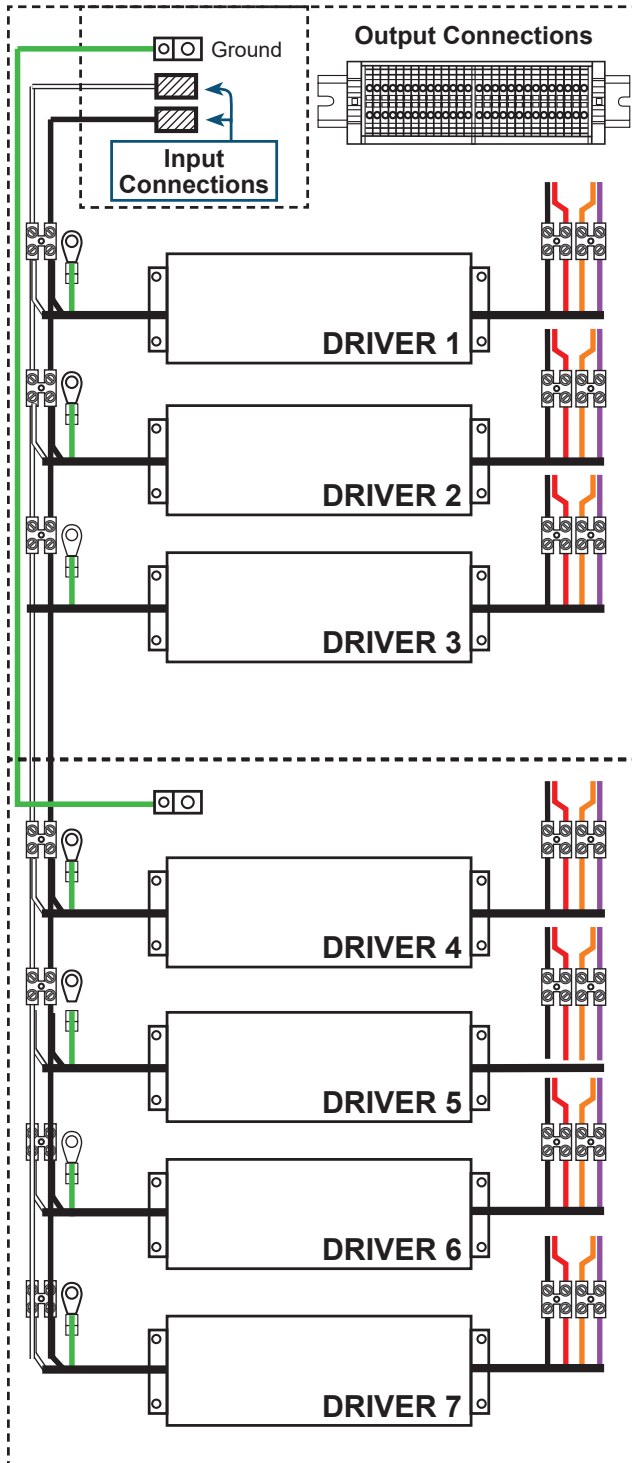
JBZN-SERIES | AFLEX

Constant Current
 Programmable Electronic LED Driver
 0-10V | Zone Multi-Channel Dimming

Specification Sheet

WIRING DIAGRAM

60W: 5 to 9 Channels
 100W: 4 to 7 Channels



Note: Wiring diagram typical for 5 to 9 channel versions.
 Fits 26 to 12 gauge wire.