

**WARNING - PLEASE READ ALL INSTRUCTIONS PRIOR TO INSTALLATION**

**READ AND FOLLOW ALL WARNINGS AND INSTRUCTIONS BEFORE INSTALLING OR MAINTAINING THIS PRODUCT.**

**TURN OFF POWER PRIOR TO ANY WORK ON THE SYSTEM OR PRODUCT.**

**DO NOT INSTALL DAMAGED PRODUCT.**

Installing, wiring, and maintenance must be done by qualified persons or a certified electrician in accordance with all local and National Electrical Codes.

Warranty is voided in case of unauthorized modifications and/or improper use.

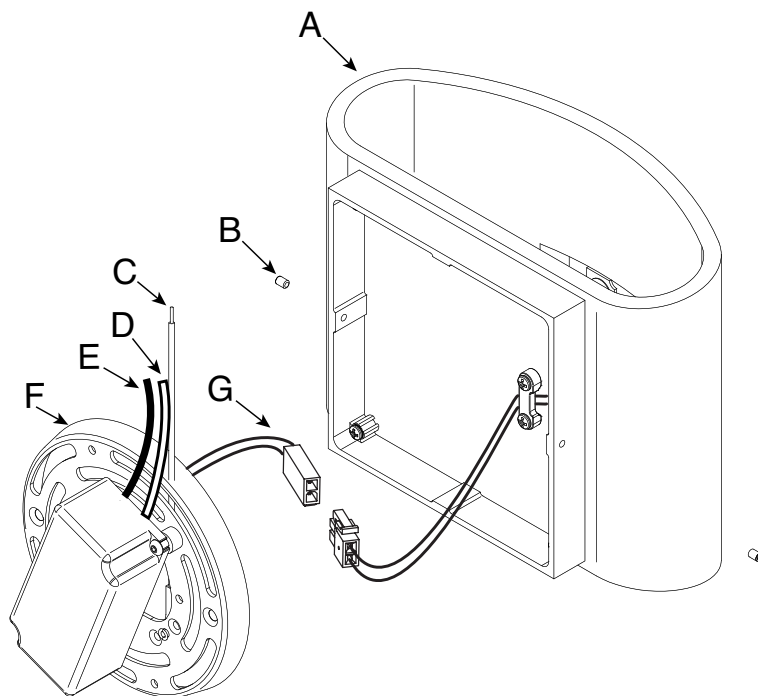
Save these instructions. Use as reference when service or maintenance is performed.

**CAUTION** – Do not install any fixture assembly closer than 6 inches (15.24 cm) from any combustible material.

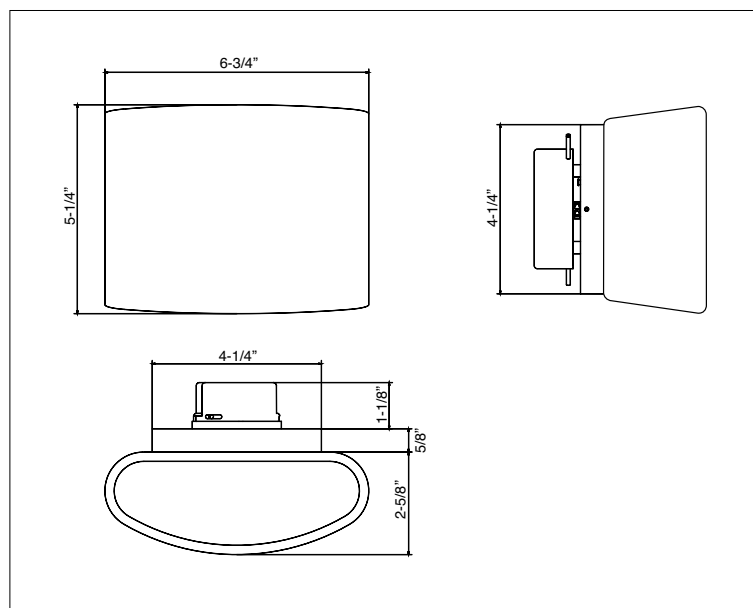
Suitable for dry locations only.

## INSTRUCTIONS FOR USE

- 1 De-energize circuit before installation.
- 2 Use 1.5mm allen key to remove back plate.
- 3 Properly ground the back plate in accordance with all local and national electrical codes.
- 4 Connect primary voltage to the line and neutral leads of the driver to the fixture. Refer to product label for required input voltage.
- 5 Secure back plate to a J-Box (J-Box and mounting hardware supplied by others) for use with 3-1/2" and 4" octagonal or square recessed junction boxes with 2-3/4" mounting hole spacing. (Appropriate device ring cover may be required and to be supplied by others.)
- 6 Place fixture in desired position, and secure fixture to back plate using 1.5mm allen key.
- 7 Energize circuit and test for proper operation.



- A Fixture
- B Set Screw (2)
- C Ground
- D Neutral
- E Line
- F Back Plate Assembly
- G Quick Disconnects





## WARNING



- To avoid possible electrical shock, before installing light fixtures, disconnect power by turning off the circuit breakers and the wall switch. Use appropriate lock out, tag out procedures.
- Ensure that supply voltage is correct by comparing to the luminaire label information.
- Make all electrical and grounding connections in accordance with the National Electrical Code (NEC) and any applicable local code requirements.
- Allow sufficient time for fixture and driver to cool before servicing.



## CAUTION



- Wiring must be done in accordance with national and local electrical codes and ANSI/NFPA 70.
- PPE Personal Protective Equipment such as gloves and safety glasses should be used at all times when installing, maintaining, or servicing.
- Risk of fire. Keep combustible material away from fixtures.



## ADVERTENCIA



- Para evitar posibles choques eléctricos, antes de instalar luminarios, desconecte el alimentación apagando los interruptores de circuito y el interruptor de pared. Use adecuado procedimientos de bloqueo y etiquetas.
- Compruebe que el voltaje de alimentación es correcto comparándolo con la información de etiqueta de el luminario.
- Hacer todas las conexiones eléctricas y puesta a tierra de acuerdo con el código eléctrico nacional (NEC) y los requisitos del código local aplicable.
- Permita suficiente tiempo para enfriar el luminario antes de empesar servicio.



## PRECAUCION



- Todo el cableado debe hacerse de conformidad con los códigos eléctricos nacionales y locales y ANSI/NFPA 70. Si no está familiarizado con el cableado, debe utilizar a un electricista certificado.
- Equipo de protección personal como guantes y lentes de seguridad se debe utilizar al instalar, mantener o reparar.
- Riesgo de incendio. Mantenga los materiales combustibles lejos de los luminarios.



## AVERTISSEMENT



- Pour éviter les chocs électriques, avant d'installer des appareils d'éclairage, coupez l'alimentation en désactivant les disjoncteurs et l'interrupteur mural. Utilisation appropriée est bloquée, balise les procédures.
- Assurez-vous que la tension d'alimentation est correcte en comparant les informations d'étiquette de luminaire.
- Faire tous les raccordements électriques et mise à la terre selon le Code électrique National (NEC) et des exigences du code local applicable.
- Laisser suffisamment de temps pour luminaire et lampe refroidir avant l'entretien.



## MIS EN GARDE



- Câblage doit être conforme aux codes électriques locaux et nationaux et ANSI/NFPA 70.
- EPI équipement de protection personnelle comme des gants et des lunettes de sécurité doivent être utilisé en tout temps lors de l'installation, maintenance et entretien.
- Risque d'incendie. Garder les matières combustibles loin de luminaires.