

# LUXRITE®

## LED CANLESS - SPOTLIGHT CHATHAM COLLECTION - PUSH AND LOCK TRIMLESS

<p>1"</p>  <p>LR25430 - 38° LR25431 - 60°</p>	<p>2"</p>  <p>LR25445 - 38° LR25446 - 60°</p>	<p>3"</p>  <p>LR25450 - 38° LR25455 - 60°</p>	<p>3"</p>  <p>LR25451 - 38°</p>																		
<p>3"</p>  <p>LR25433 - 38° GIMBAL</p>	<p>3"</p>  <p>LR25454 - 110° FLAT</p>	<p>3"</p>  <p>LR25452 - 38° FLOATING GIMBAL</p>	<p>3"</p>  <p>LR25410 - 55° PINHOLE</p>																		
<p>3"</p>  <p>LR25453 - 24-50° ZOOMABLE</p>	<p>4"</p>  <p>LR25463 - 24-50° ZOOMABLE</p>	<p>4"</p>  <p>LR25434 - 36° GIMBAL</p>	<p>4"</p>  <p>LR25462 - 38° FLOATING GIMBAL</p>																		
<p>4"</p>  <p>LR25460 - 38° LR25465 - 60°</p>	<p>T, 2", 3" &amp; 4" TRIM REPLACEMENT OPTIONS*</p> <table border="0"> <tr> <td></td> <td></td> <td></td> <td></td> <td></td> </tr> <tr> <td>BLACK</td> <td>BRUSHED NICKEL</td> <td>BRASS</td> <td>WHITE WALL WASHER</td> <td>BLACK WALL WASHER</td> </tr> </table> <p>3" SNOOT OPTIONS*</p> <table border="0"> <tr> <td></td> <td></td> <td></td> <td></td> </tr> <tr> <td>FROST WHITE</td> <td>BRASS FINISH</td> <td>WOODEN FINISH</td> <td>MARBLE FINISH</td> </tr> </table> <p>*SOLD SEPARATELY</p>								BLACK	BRUSHED NICKEL	BRASS	WHITE WALL WASHER	BLACK WALL WASHER					FROST WHITE	BRASS FINISH	WOODEN FINISH	MARBLE FINISH
																					
BLACK	BRUSHED NICKEL	BRASS	WHITE WALL WASHER	BLACK WALL WASHER																	
																					
FROST WHITE	BRASS FINISH	WOODEN FINISH	MARBLE FINISH																		



**COLOR SELECTABLE**

2700K	3000K	3500K	4000K	5000K
-------	-------	-------	-------	-------





**LR25430**  
LED/TLMD1/5CCT/RD/WT/D2



**LR25431**  
LED/TLMD1/5CCT/RD/WT/D2/WFL



APERTURE	1"
DISTRIBUTION	FIXED
APPLICATION	NEW CONSTRUCTION/TRIMLESS

## ELECTRICAL

POWER	10W
INPUT VOLTS	120V
INPUT CURRENT	85mA
FREQUENCY	60Hz
DIMMING TYPE	TRIAC
DIMMING RANGE	10-100%
FEED WIRE GAUGE	22AWG
BREAKER SPECIFICATION *(15A @120V)	119pcs*

\*Mathematically estimated value. Actual capacity may vary by breaker type and installation environment.

## PHOTOMETRIC

COLOR CCT	2700K/3000K/3500K/4000K/5000K
CRI	90
LUMEN	LR25430: 850lm
	LR25431: 850lm
EFFICACY	LR25430: 85lm/w
	LR25431: 85lm/w
BEAM ANGLE	LR25430: 38°
	LR25431: 60°

## CERTIFICATIONS & SAFETY

LR25430	ETL
LR25431	ETL
WET LOCATION	YES
IC RATED	YES
AIR TIGHT	YES
OPERATING TEMP.	-4°F to 113°F
COST/YR	\$ 1.20
WARRANTY	5 YR

## MATERIAL & APPLICATION

HEAT SINK	ALUMINUM
TRIM	ALUMINUM
LENS	PC
SPACKLE FLANGE	ALUMINUM
CUTOUT	Ø2.5"
MOUNTING TYPE	PUSH AND LOCK TRIMLESS (RECESSED)
AREA OF APPLICATION	RESIDENTIAL, COMMERCIAL
CEILING TYPE	DRYWALL, WOOD

## DRIVER

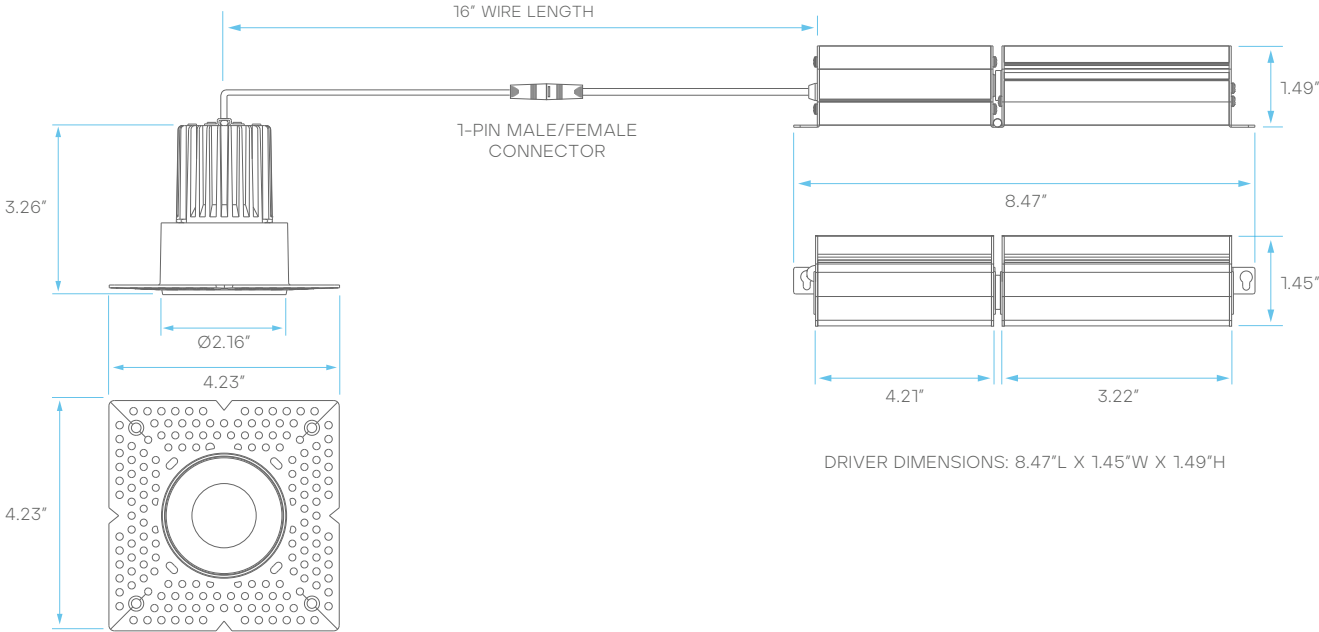
	POWER	INPUT VOLTS	INPUT CURRENT	FREQUENCY	INPUT POWER	OUTPUT VOLTAGE	DIMENSIONS	KNOCKOUTS
INCLUDED DRIVER	10W	120V	85mA	60Hz	10W max	36V DC	8.47"L X 1.45"W X 1.49"H	1

MODEL	DESCRIPTION	EM POWER	INPUT VOLTS	INPUT CURRENT	FREQUENCY	INPUT POWER	OUTPUT VOLTAGE	RECHARGE TIME	EMERGENCY TIME
LR35126**	LED/EMR/15W/AC/SF/E	15	100-347V	100mA	50/60Hz	12W max	170V DC	24HR	90MINS

\*AMBIENT TEMPERATURE: 41°F ~ 122°F  
\*\*SOLD SEPARATELY

## DIMENSIONS

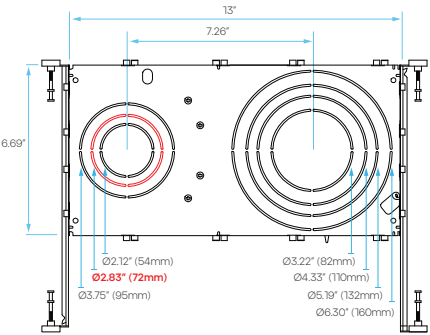
CUTOUT: Ø2.5"



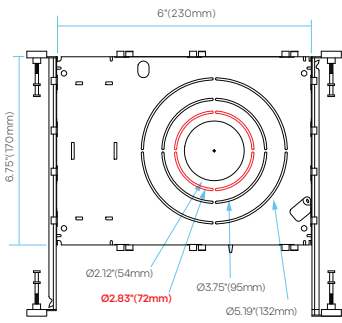
## PLATE COMPATIBILITY\*

\*SOLD SEPARATELY

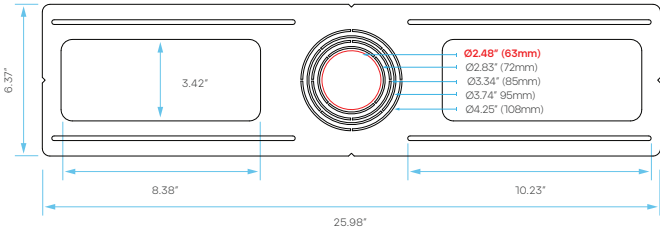
LR41010  
KNOCKOUT  
L1



LR41004  
KNOCKOUT  
1



LR41011  
KNOCKOUT  
O





**LR25445**  
LED/TLMD2/5CCT/RD/WT/UNV/DD/FL



**LR25446**  
LED/TLMD2/5CCT/RD/WT/UNV/DD/WFL



APERTURE	2"
DISTRIBUTION	FIXED
APPLICATION	NEW CONSTRUCTION/TRIMLESS

## ELECTRICAL

POWER	12W
INPUT VOLTS	120-277V
INPUT CURRENT	100mA
FREQUENCY	60Hz
DIMMING TYPE	TRIAC/0-10V
DIMMING RANGE	10-100%
FEED WIRE GAUGE	22AWG
BREAKER SPECIFICATION (15A @120V)	99pcs*

\*Mathematically estimated value. Actual capacity may vary by breaker type and installation environment.

## PHOTOMETRIC

COLOR CCT	2700K/3000K/3500K/4000K/5000K
CRI	90
LUMEN	LR25445: 1000lm
	LR25446: 1100lm
EFFICACY	LR25445: 83lm/w
	LR25446: 83m/w
BEAM ANGLE	LR25445: 38°
	LR25446: 60°

## CERTIFICATIONS & SAFETY

LR25445	ETL
LR25446	ETL
WET LOCATION	YES
IC RATED	YES
AIR TIGHT	YES
OPERATING TEMP.	-4°F to 113°F
COST/YR	\$ 1.44
WARRANTY	5 YR

## MATERIAL & APPLICATION

HEAT SINK	ALUMINUM
TRIM	ALUMINUM
LENS	PC
SPACKLE FLANGE	ALUMINUM
CUTOUT	Ø3"
MOUNTING TYPE	PUSH AND LOCK TRIMLESS (RECESSED)
AREA OF APPLICATION	RESIDENTIAL, COMMERCIAL
CEILING TYPE	DRYWALL, WOOD

## DRIVER

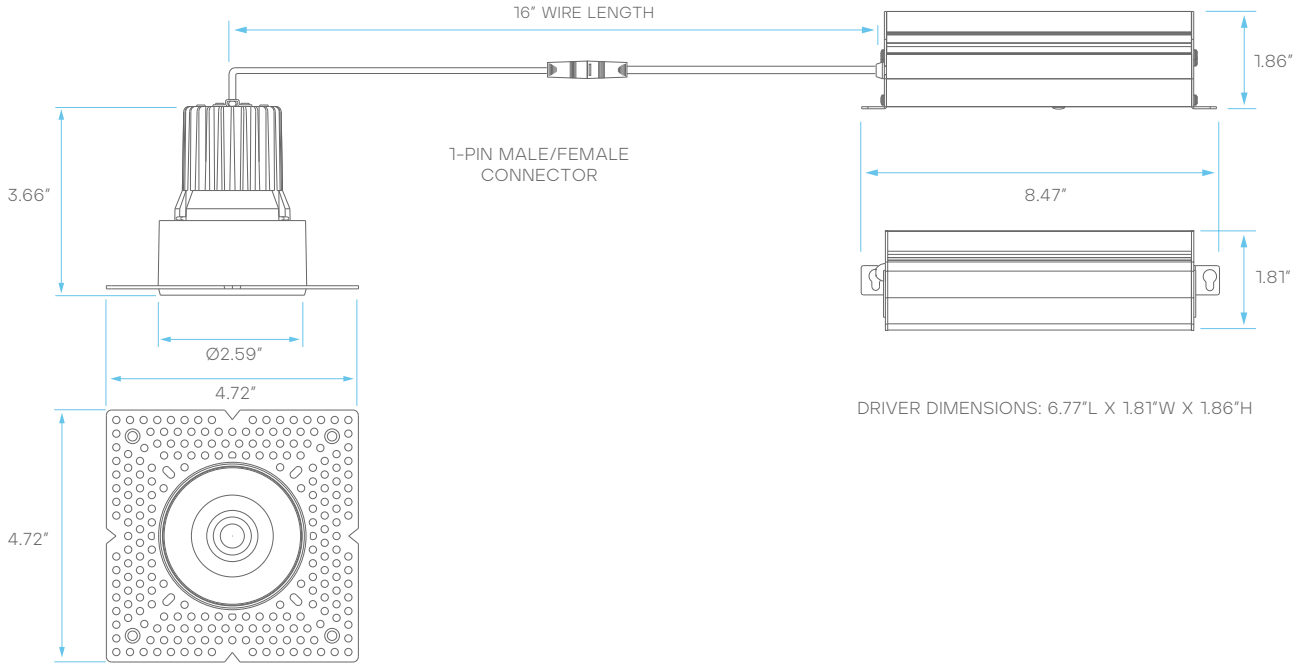
	POWER	INPUT VOLTS	INPUT CURRENT	FREQUENCY	INPUT POWER	OUTPUT VOLTAGE	DIMENSIONS	KNOCKOUTS
INCLUDED DRIVER	10W	120V	100mA	60Hz	10W max	36V DC	6.77"L X 1.81"W X 1.86"H	1

MODEL	DESCRIPTION	EM POWER	INPUT VOLTS	INPUT CURRENT	FREQUENCY	INPUT POWER	OUTPUT VOLTAGE	RECHARGE TIME	EMERGENCY TIME
LR35126**	LED/EMR/15W/AC/SF/E	15	100-347V	100mA	50/60Hz	12W max	170V DC	24HR	90MINS

\*AMBIENT TEMPERATURE: 41°F ~ 122°F  
\*\*SOLD SEPARATELY

## DIMENSIONS

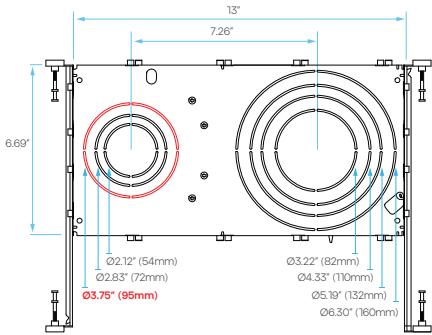
CUTOUT: Ø3"



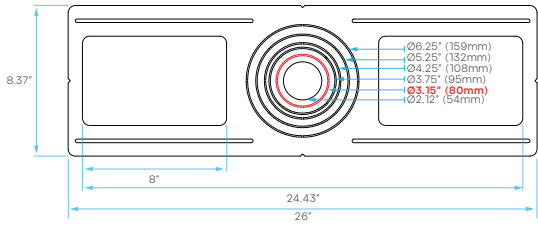
## PLATE COMPATIBILITY\*

\*SOLD SEPARATELY

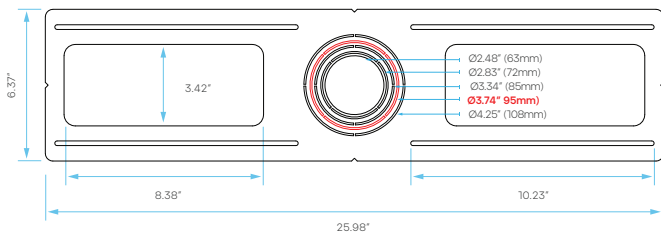
LR41010  
KNOCKOUT  
RO



LR41006  
KNOCKOUT  
1



LR41011  
KNOCKOUT  
1





## LR25450

LED/TLMD3/5CCT/RD/WT/UNV/DD/FL



## LR25455

LED/TLMD3/5CCT/RD/WT/UNV/DD/WFL



## LR25451

LED/TLMD3/5CCT/RD/BK/D



LR25450  
LR25455

LR25451

APERTURE	3"
DISTRIBUTION	FIXED
APPLICATION	NEW CONSTRUCTION/TRIMLESS

## ELECTRICAL

POWER	15W
INPUT VOLTS	LR25450/LR25455 - 120-277V LR25451 - 120V
INPUT CURRENT	130mA
FREQUENCY	60Hz
DIMMING TYPE	LR25450/LR25455 - TRIAC/0-10V LR25451 - TRIAC
DIMMING RANGE	10-100%
FEED WIRE GAUGE	22AWG
BREAKER SPECIFICATION *(15A @120V)	79pcs*

\*Mathematically estimated value. Actual capacity may vary by breaker type and installation environment.

## PHOTOMETRIC

COLOR CCT	2700K/3000K/3500K/4000K/5000K
CRI	90
LUMEN	LR25450: 1100lm LR25455: 1100lm LR25451: 1100lm
EFFICACY	LR25450: 73lm/w LR25455: 73lm/w LR25451: 73lm/w
BEAM ANGLE	LR25450: 38° LR25455: 60° LR25451: 38°

## CERTIFICATIONS & SAFETY

LR25450, LR25455, LR25451	ETL
WET LOCATION	YES
IC RATED	YES
AIR TIGHT	YES
OPERATING TEMP.	-4°F to 113°F
COST/YR	\$ 1.20
WARRANTY	5 YR

## MATERIAL & APPLICATION

HEAT SINK	ALUMINUM
TRIM	ALUMINUM
LENS	PC
SPACKLE FLANGE	ALUMINUM
CUTOUT	Ø3.38"
MOUNTING TYPE	PUSH AND LOCK TRIMLESS (RECESSED)
AREA OF APPLICATION	RESIDENTIAL, COMMERCIAL
CEILING TYPE	DRYWALL, WOOD

## DRIVER

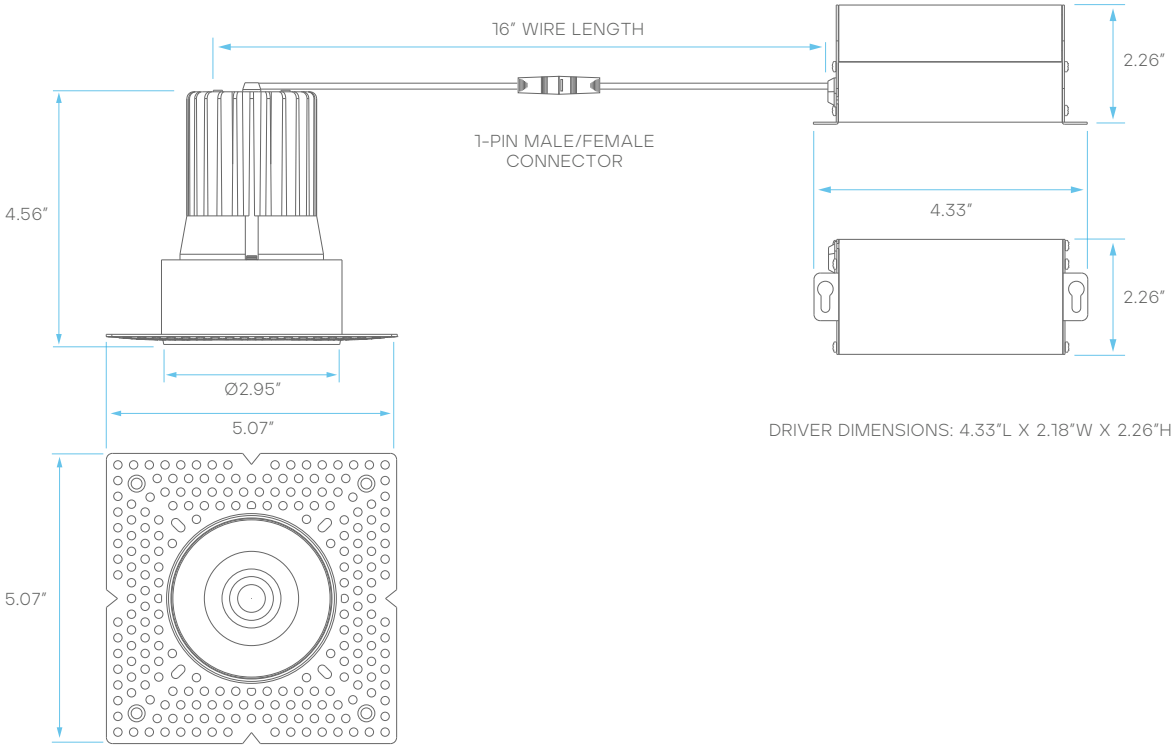
	POWER	INPUT VOLTS	INPUT CURRENT	FREQUENCY	INPUT POWER	OUTPUT VOLTAGE	DIMENSIONS	KNOCKOUTS
INCLUDED DRIVER	15W	120V	130mA	60Hz	15W max	36V DC	4.33"L X 2.18"W X 2.26"H	2

MODEL	DESCRIPTION	EM POWER	INPUT VOLTS	INPUT CURRENT	FREQUENCY	INPUT POWER	OUTPUT VOLTAGE	RECHARGE TIME	EMERGENCY TIME
LR35126**	LED/EMR/15W/AC/SF/E	15W	100-347V	100mA	50/60Hz	12W max	170V DC	24HR	90MINS

\*AMBIENT TEMPERATURE: 4TF ~ 122°F  
\*SOLD SEPARATELY

## DIMENSIONS

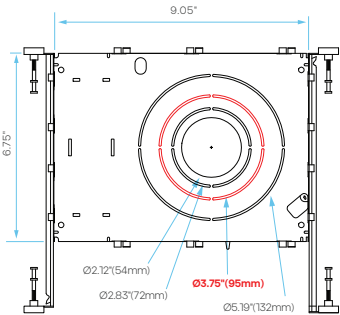
CUTOUT: Ø3.38"



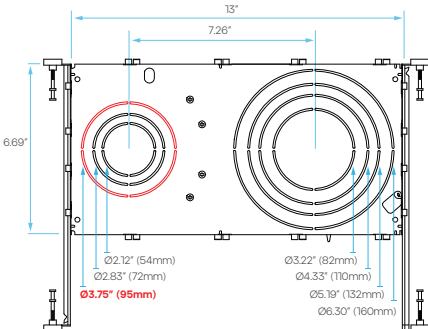
## PLATE COMPATIBILITY\*

\*SOLD SEPARATELY

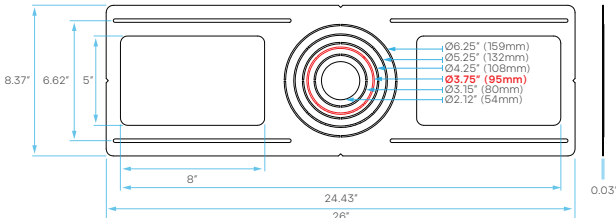
LR41004  
KNOCKOUT  
2



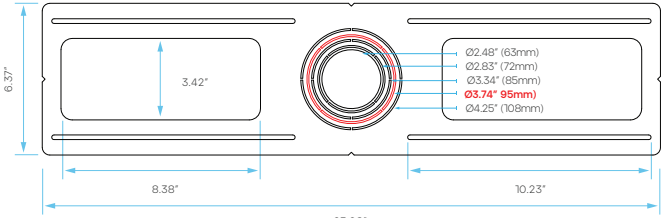
LR41010  
KNOCKOUT  
L2



LR41006  
KNOCKOUT  
2



LR41011  
KNOCKOUT  
3



## LR25410

LED/TLMD3/MICRO/5CCT/RD/WT/UNV/DD/WFL



PINHOLE

APERTURE	3"
DISTRIBUTION	FIXED/PINHOLE
APPLICATION	NEW CONSTRUCTION/TRIMLESS

### ELECTRICAL

POWER	15W
INPUT VOLTS	120-277V
INPUT CURRENT	130mA
FREQUENCY	60Hz
DIMMING TYPE	TRIAC/0-10V
DIMMING RANGE	10-100%
FEED WIRE GAUGE	22AWG
BREAKER SPECIFICATION (15A @120V)	79pcs*

\*Mathematically estimated value. Actual capacity may vary by breaker type and installation environment.

### PHOTOMETRIC

COLOR CCT	2700K/3000K/3500K/4000K/5000K
CRI	90
LUMEN	1100lm
EFFICACY	73lm/w
BEAM ANGLE	55°

### CERTIFICATIONS & SAFETY

LR25410	ETL
WET LOCATION	YES
IC RATED	YES
AIR TIGHT	YES
OPERATING TEMP.	-4°F to 113°F
COST/YR	\$ 1.80
WARRANTY	5 YR

### MATERIAL & APPLICATION

HEAT SINK	ALUMINUM
TRIM	ALUMINUM
LENS	PC
SPACKLE FLANGE	ALUMINUM
CUTOUT	Ø3.38"
MOUNTING TYPE	PUSH AND LOCK TRIMLESS (RECESSED)
AREA OF APPLICATION	RESIDENTIAL, COMMERCIAL
CEILING TYPE	DRYWALL, WOOD

### DRIVER

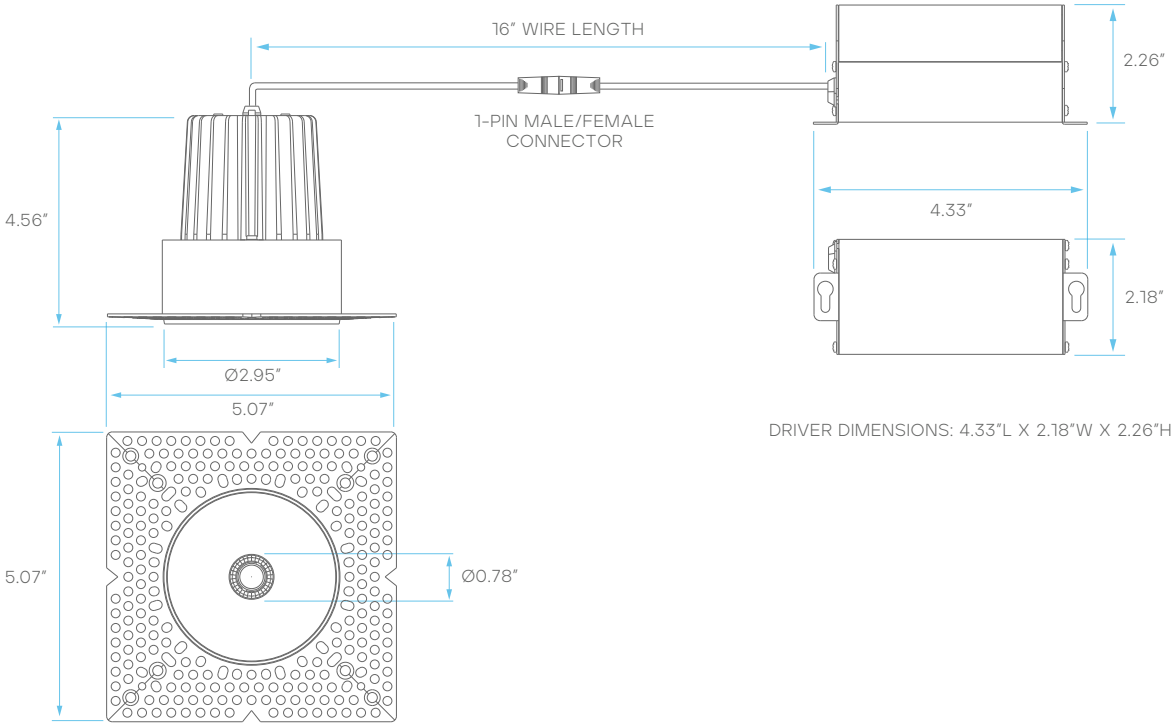
	POWER	INPUT VOLTS	INPUT CURRENT	FREQUENCY	INPUT POWER	OUTPUT VOLTAGE	DIMENSIONS	KNOCKOUTS
INCLUDED DRIVER	15W	120V	130mA	60Hz	15W max	36V DC	4.33"L X 2.18"W X 2.26"H	2

MODEL	DESCRIPTION	EM POWER	INPUT VOLTS	INPUT CURRENT	FREQUENCY	INPUT POWER	OUTPUT VOLTAGE	RECHARGE TIME	EMERGENCY TIME
LR35126**	LED/EMR/15W/AC/SF/E	15	100-347V	100mA	50/60Hz	12W max	170V DC	24HR	90MINS

\*AMBIENT TEMPERATURE: 41°F ~ 122°F  
\*SOLD SEPARATELY

## DIMENSIONS

CUTOUT: Ø3.38"

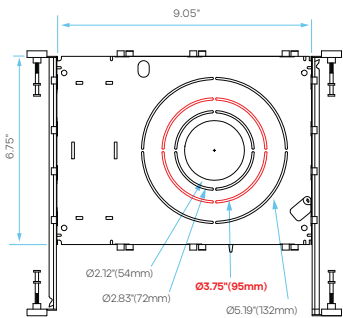


DRIVER DIMENSIONS: 4.33\"/>

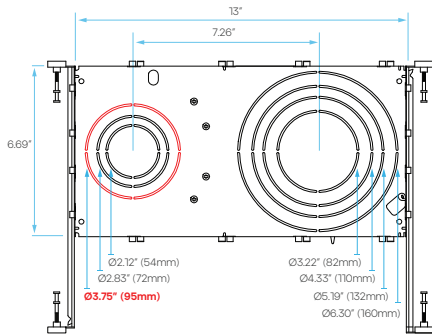
## PLATE COMPATIBILITY\*

\*SOLD SEPARATELY

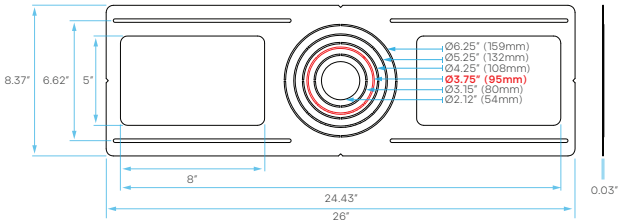
**LR41004  
KNOCKOUT  
2**



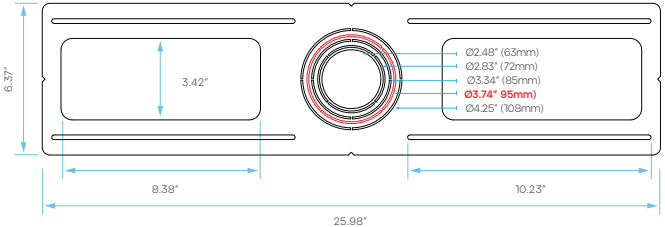
**LR41010  
KNOCKOUT  
L2**



**LR41006  
KNOCKOUT  
2**



**LR41011  
KNOCKOUT  
3**



## LR25454

LED/TLMD3/FLT/5CCT/RD/WT/UNV/DD



APERTURE	3"
DISTRIBUTION	FIXED
APPLICATION	NEW CONSTRUCTION/TRIMLESS

### ELECTRICAL

POWER	15W
INPUT VOLTS	120-277V
INPUT CURRENT	130mA
FREQUENCY	60Hz
DIMMING TYPE	TRIAC/0-10V
DIMMING RANGE	10-100%
FEED WIRE GAUGE	22AWG
BREAKER SPECIFICATION (15A @120V)	79pcs*

\*Mathematically estimated value. Actual capacity may vary by breaker type and installation environment.

### PHOTOMETRIC

COLOR CCT	2700K/3000K/3500K/4000K/5000K
CRI	90
LUMEN	1100lm
EFFICACY	73lm/w
BEAM ANGLE	110°

### CERTIFICATIONS & SAFETY

LR25410	ETL
WET LOCATION	YES
IC RATED	YES
AIR TIGHT	YES
OPERATING TEMP.	-4°F to 113°F
COST/YR	\$ 1.80
WARRANTY	5 YR

### MATERIAL & APPLICATION

HEAT SINK	ALUMINUM
TRIM	ALUMINUM
LENS	PC
SPACKLE FLANGE	ALUMINUM
CUTOUT	Ø3.38"
MOUNTING TYPE	PUSH AND LOCK TRIMLESS (RECESSED)
AREA OF APPLICATION	RESIDENTIAL, COMMERCIAL
CEILING TYPE	DRYWALL, WOOD

### DRIVER

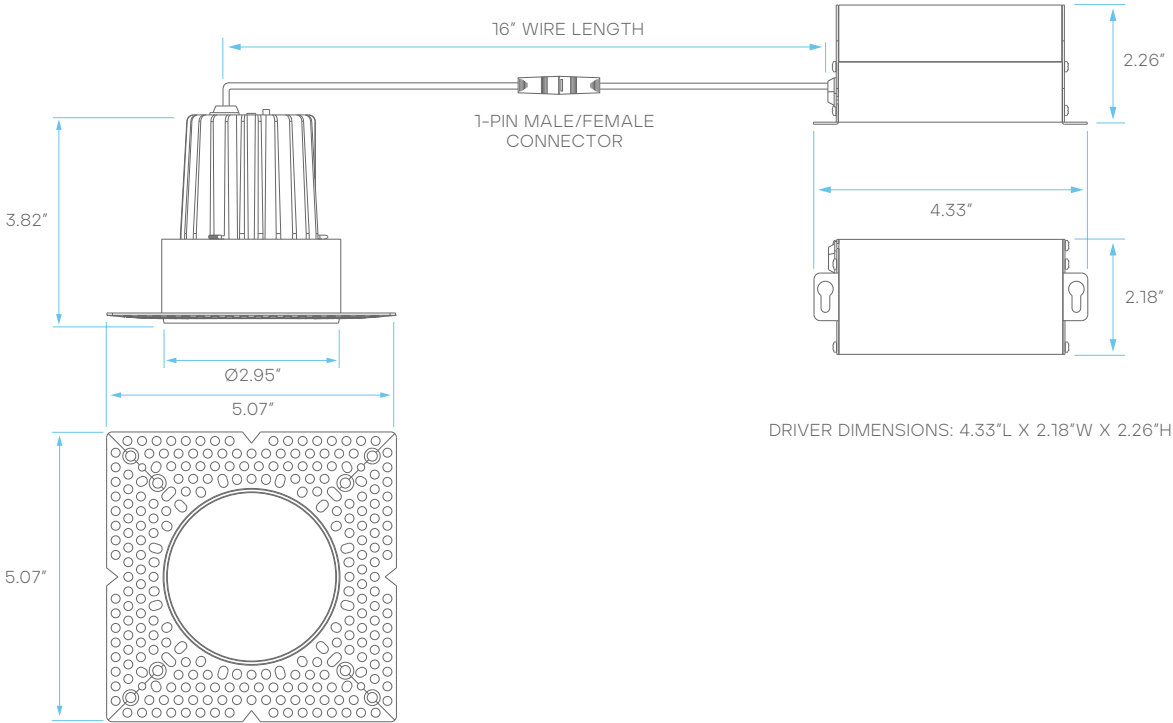
	POWER	INPUT VOLTS	INPUT CURRENT	FREQUENCY	INPUT POWER	OUTPUT VOLTAGE	DIMENSIONS	KNOCKOUTS
INCLUDED DRIVER	15W	120V	130mA	60Hz	15W max	36V DC	4.33"L X 2.18"W X 2.26"H	2

MODEL	DESCRIPTION	EM POWER	INPUT VOLTS	INPUT CURRENT	FREQUENCY	INPUT POWER	OUTPUT VOLTAGE	RECHARGE TIME	EMERGENCY TIME
LR35126**	LED/EMR/15W/AC/SF/E	15	100-347V	100mA	50/60Hz	12W max	170V DC	24HR	90MINS

\*AMBIENT TEMPERATURE: 41°F ~ 122°F  
\*SOLD SEPARATELY

## DIMENSIONS

CUTOUT: Ø3.38"

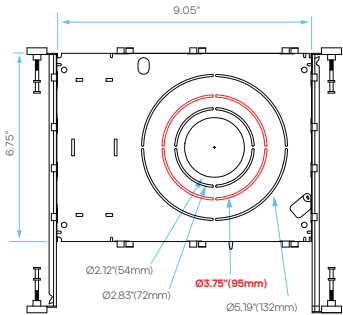


DRIVER DIMENSIONS: 4.33\"/>

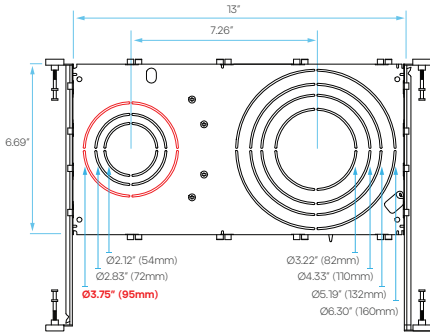
## PLATE COMPATIBILITY\*

\*SOLD SEPARATELY

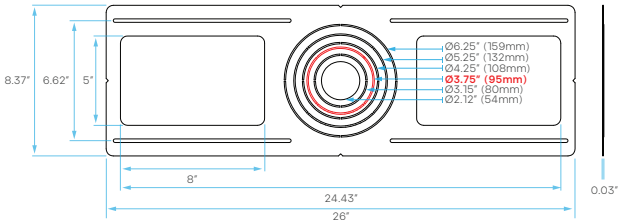
LR41004  
KNOCKOUT  
2



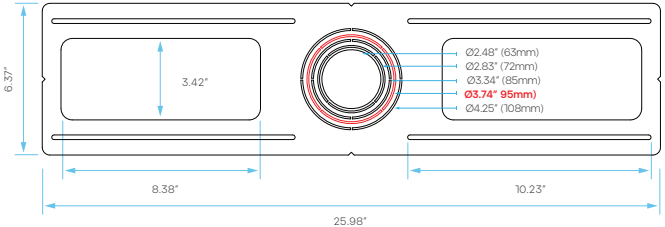
LR41010  
KNOCKOUT  
L2



LR41006  
KNOCKOUT  
2



LR41011  
KNOCKOUT  
3



## LR25452

LED/TLMD3/FGB/5CCT/RD/WT/UNV/DD



APERTURE	3"
DISTRIBUTION	ADJUSTABLE/FLOATING GIMBAL
APPLICATION	NEW CONSTRUCTION/TRIMLESS



FLOATING GIMBAL

### ELECTRICAL

POWER	12W
INPUT VOLTS	120-277V
INPUT CURRENT	100mA
FREQUENCY	60Hz
DIMMING TYPE	TRIAC/0-10V
DIMMING RANGE	10-100%
FEED WIRE GAUGE	22AWG
BREAKER SPECIFICATION *(15A @120V)	99pcs*

\*Mathematically estimated value. Actual capacity may vary by breaker type and installation environment.

### PHOTOMETRIC

COLOR CCT	2700K/3000K/3500K/4000K/5000K
CRI	90
LUMEN	900lm
EFFICACY	75lm/w
BEAM ANGLE	38°

### CERTIFICATIONS & SAFETY

LR25452	ETL
WET LOCATION	YES
IC RATED	YES
AIR TIGHT	YES
OPERATING TEMP.	-4°F to 113°F
COST/YR	\$ 1.44
WARRANTY	5 YR

### MATERIAL & APPLICATION

HEAT SINK	ALUMINUM
TRIM	ALUMINUM
LENS	PC
SPACKLE FLANGE	ALUMINUM
CUTOUT	Ø3.38"
MOUNTING TYPE	PUSH AND LOCK TRIMLESS (RECESSED)
ROTATION	360°
TILT	90°
AREA OF APPLICATION	RESIDENTIAL, COMMERCIAL
CEILING TYPE	DRYWALL, WOOD

### DRIVER

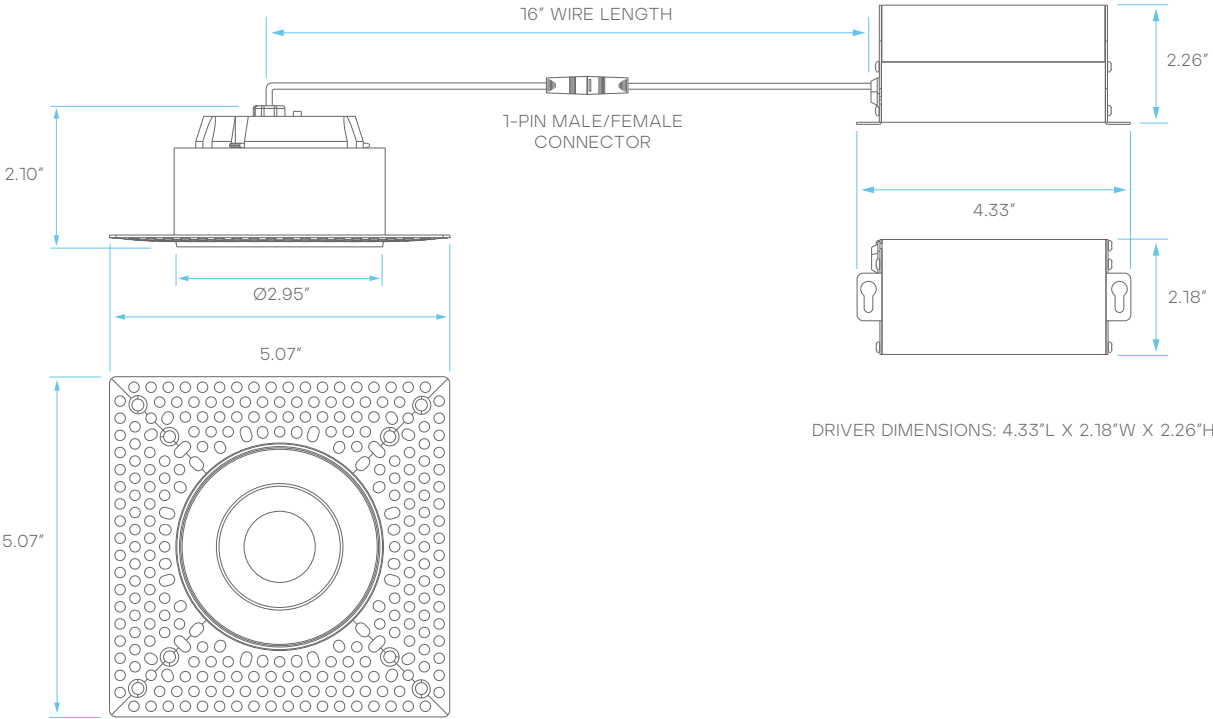
	POWER	INPUT VOLTS	INPUT CURRENT	FREQUENCY	INPUT POWER	OUTPUT VOLTAGE	DIMENSIONS	KNOCKOUTS
INCLUDED DRIVER	12W	120-277V	100mA	60Hz	12W max	36V DC	4.33"L X 2.18"W X 2.26"H	2

MODEL	DESCRIPTION	EM POWER	INPUT VOLTS	INPUT CURRENT	FREQUENCY	INPUT POWER	OUTPUT VOLTAGE	RECHARGE TIME	EMERGENCY TIME
LR35126**	LED/EMR/15W/AC/SF/E	15	100-347V	100mA	50/60Hz	12W max	170V DC	24HR	90MINS

\*AMBIENT TEMPERATURE: 41°F ~ 122°F  
\*\*SOLD SEPARATELY

## DIMENSIONS

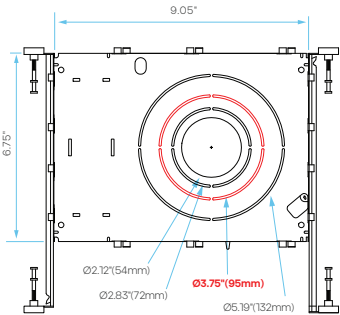
CUTOUT: Ø3.38"



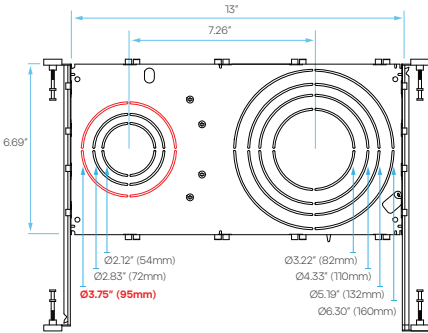
## PLATE COMPATIBILITY\*

\*SOLD SEPARATELY

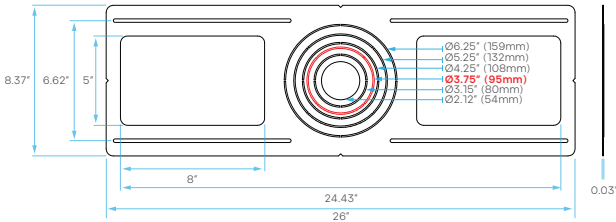
LR41004  
KNOCKOUT  
2



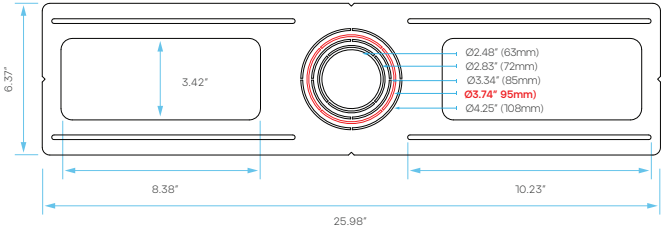
LR41010  
KNOCKOUT  
L2



LR41006  
KNOCKOUT  
2



LR41011  
KNOCKOUT  
3



## LR25433

LED/TLMD3/GB/5CCT/RD/WT/UNV/DD/FL



GIMBAL

APERTURE	3"
DISTRIBUTION	FIXED
APPLICATION	NEW CONSTRUCTION/TRIMLESS

### ELECTRICAL

POWER	12W
INPUT VOLTS	120-277V
INPUT CURRENT	100mA
FREQUENCY	60Hz
DIMMING TYPE	TRIAC/0-10V
DIMMING RANGE	10-100%
FEED WIRE GAUGE	22AWG
BREAKER SPECIFICATION (15A @120V)	99pcs*

\*Mathematically estimated value. Actual capacity may vary by breaker type and installation environment.

### PHOTOMETRIC

COLOR CCT	2700K/3000K/3500K/4000K/5000K
CRI	90
LUMEN	1100lm
EFFICACY	91lm/w
BEAM ANGLE	38°

### CERTIFICATIONS & SAFETY

LR25433	ETL
WET LOCATION	YES
IC RATED	YES
AIR TIGHT	YES
OPERATING TEMP.	-4°F to 113°F
COST/YR	\$ 1.44
WARRANTY	5 YR

### MATERIAL & APPLICATION

HEAT SINK	ALUMINUM
TRIM	ALUMINUM
LENS	PC
SPACKLE FLANGE	ALUMINUM
CUTOUT	Ø3.38"
MOUNTING TYPE	PUSH AND LOCK TRIMLESS (RECESSED)
ROTATION	360°
TILT	15°
AREA OF APPLICATION	RESIDENTIAL, COMMERCIAL
CEILING TYPE	DRYWALL, WOOD

### DRIVER

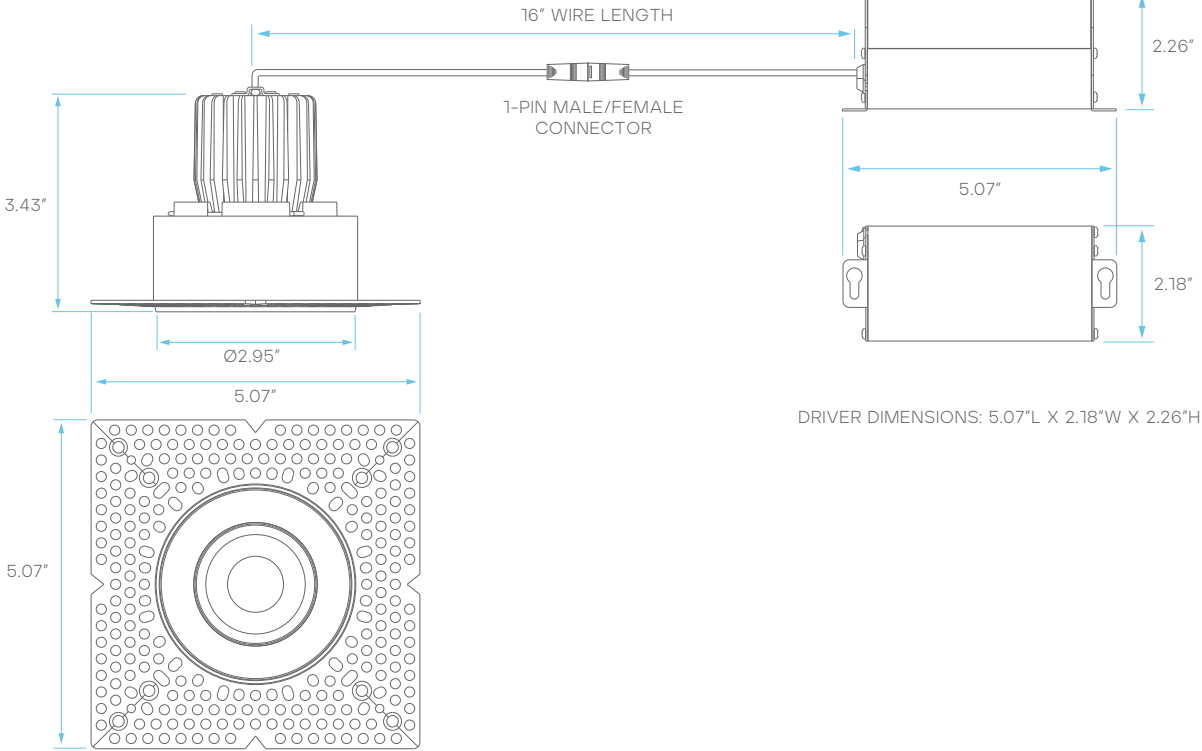
	POWER	INPUT VOLTS	INPUT CURRENT	FREQUENCY	INPUT POWER	OUTPUT VOLTAGE	DIMENSIONS	KNOCKOUTS
INCLUDED DRIVER	12W	120V	100mA	60Hz	12W max	36V DC	5.07"L X 2.18"W X 2.26"H	2

MODEL	DESCRIPTION	EM POWER	INPUT VOLTS	INPUT CURRENT	FREQUENCY	INPUT POWER	OUTPUT VOLTAGE	RECHARGE TIME	EMERGENCY TIME
LR35126**	LED/EMR/15W/AC/SF/E	15	100-347V	100mA	50/60Hz	12W max	170V DC	24HR	90MINS

\*AMBIENT TEMPERATURE: 41°F ~ 122°F  
\*\*SOLD SEPARATELY

## DIMENSIONS

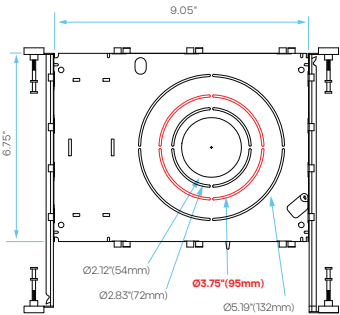
CUTOUT: Ø3.38"



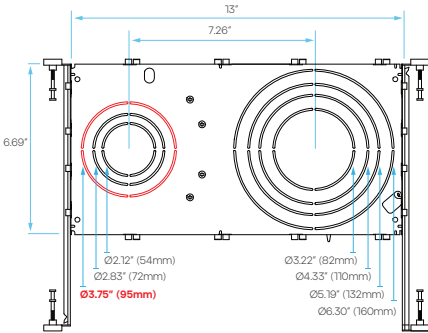
## PLATE COMPATIBILITY\*

\*SOLD SEPARATELY

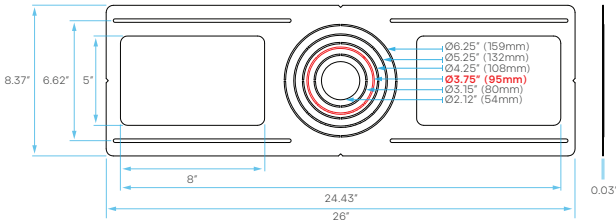
LR41004  
KNOCKOUT  
2



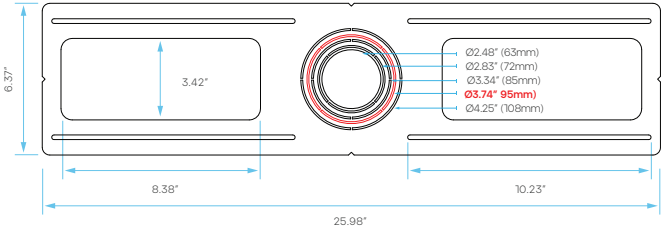
LR41010  
KNOCKOUT  
L2



LR41006  
KNOCKOUT  
2



LR41011  
KNOCKOUT  
3



## LR25453

LED/TLMD3/5CCT/RD/WT/UNV/DD/ZM



ZOOMABLE

APERTURE	3"
DISTRIBUTION	ZOOMABLE BEAM SPREAD
APPLICATION	NEW CONSTRUCTION/TRIMLESS

### ELECTRICAL

POWER	15W
INPUT VOLTS	120-277V
INPUT CURRENT	130mA
FREQUENCY	50/60Hz
DIMMING TYPE	TRIAC/0-10V
DIMMING RANGE	10-100%
FEED WIRE GAUGE	22AWG
BREAKER SPECIFICATION (15A @120V)	79pcs*

\*Mathematically estimated value. Actual capacity may vary by breaker type and installation environment.

### PHOTOMETRIC

COLOR CCT	2700K/3000K/3500K/4000K/5000K
CRI	90
LUMEN	1100lm
EFFICACY	73lm/w
BEAM ANGLE	20° ~ 50°

### CERTIFICATIONS & SAFETY

LR25453	ETL
WET LOCATION	YES
IC RATED	YES
AIR TIGHT	YES
OPERATING TEMP.	-4°F to 113°F
COST/YR	\$ 1.80
WARRANTY	5 YR

### MATERIAL & APPLICATION

HEAT SINK	ALUMINUM
TRIM	ALUMINUM
LENS	PC
SPACKLE FLANGE	ALUMINUM
CUTOUT	Ø3.38"
MOUNTING TYPE	PUSH AND LOCK TRIMLESS (RECESSED)
AREA OF APPLICATION	RESIDENTIAL, COMMERCIAL
CEILING TYPE	DRYWALL, WOOD

### DRIVER

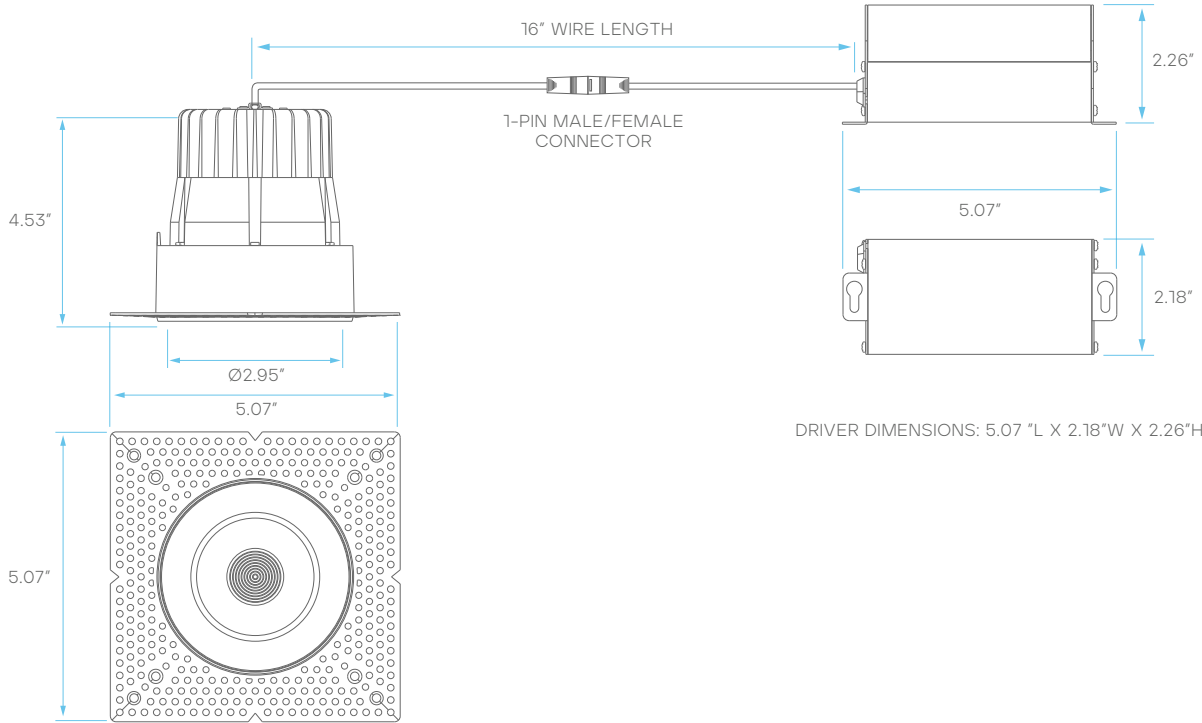
	POWER	INPUT VOLTS	INPUT CURRENT	FREQUENCY	INPUT POWER	OUTPUT VOLTAGE	DIMENSIONS	KNOCKOUTS
INCLUDED DRIVER	15W	120V	130mA	60Hz	15W max	36V DC	5.07"L X 2.18"W X 2.26"H	2

MODEL	DESCRIPTION	EM POWER	INPUT VOLTS	INPUT CURRENT	FREQUENCY	INPUT POWER	OUTPUT VOLTAGE	RECHARGE TIME	EMERGENCY TIME
LR35126**	LED/EMR/15W/AC/SF/E	15	100-347V	100mA	50/60Hz	12W max	170V DC	24HR	90MINS

\*AMBIENT TEMPERATURE: 41°F ~ 122°F  
\*SOLD SEPARATELY

## DIMENSIONS

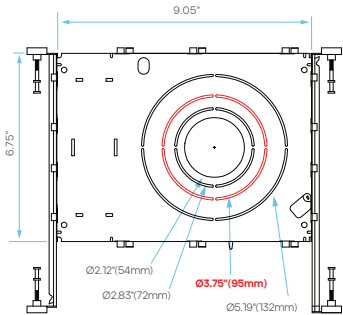
CUTOUT: Ø3.38"



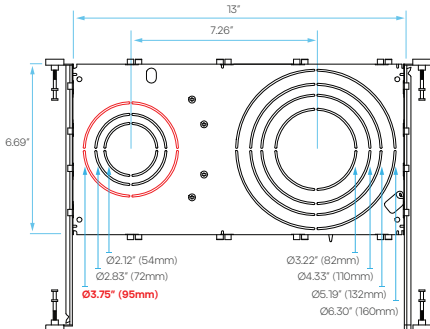
## PLATE COMPATIBILITY\*

\*SOLD SEPARATELY

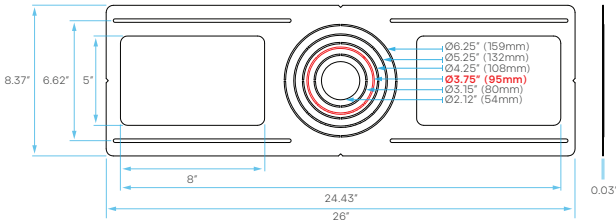
LR41004  
KNOCKOUT  
2



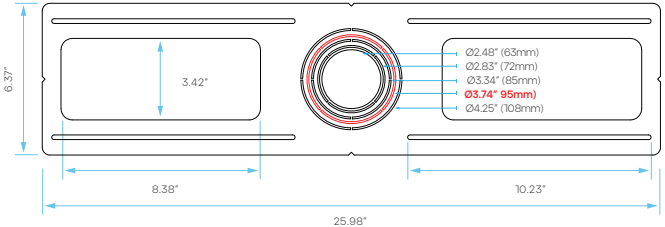
LR41010  
KNOCKOUT  
L2



LR41006  
KNOCKOUT  
2



LR41011  
KNOCKOUT  
3





## LR25460

LED/TLMD4HO/5CCT/RD/WT/UNV/DD



## LR25465

LED/TLMD4HO/5CCT/RD/WT/UNV/DD/WFL



APERTURE	4"
DISTRIBUTION	FIXED
APPLICATION	NEW CONSTRUCTION/TRIMLESS

### ELECTRICAL

POWER	25W
INPUT VOLTS	120-277V
INPUT CURRENT	210mA
FREQUENCY	60Hz
DIMMING TYPE	TRIAC/0-10V
DIMMING RANGE	10/100%
FEED WIRE GAUGE	22AWG
BREAKER SPECIFICATION (15A @120V)	47pcs*

\*Mathematically estimated value. Actual capacity may vary by breaker type and installation environment.

### PHOTOMETRIC

COLOR CCT	2700K/3000K/3500K/4000K/5000K
CRI	90
LUMEN	LR25460: 2000lm
	LR25465: 2000lm
EFFICACY	LR25460: 80lm/w
	LR25465: 80lm/w
BEAM ANGLE	LR25460: 38°
	LR25465: 60°

### CERTIFICATIONS & SAFETY

LR25460	ETL
LR25465	ETL
WET LOCATION	YES
IC RATED	YES
AIR TIGHT	YES
OPERATING TEMP.	-4°F to 113°F
COST/YR	\$ 3.01
WARRANTY	5 YR

### MATERIAL & APPLICATION

HEAT SINK	ALUMINUM
TRIM	ALUMINUM
LENS	PC
SPACKLE FLANGE	ALUMINUM
CUTOUT	Ø4.25"
MOUNTING TYPE	PUSH AND LOCK TRIMLESS (RECESSED)
AREA OF APPLICATION	RESIDENTIAL, COMMERCIAL
CEILING TYPE	DRYWALL, WOOD

### DRIVER

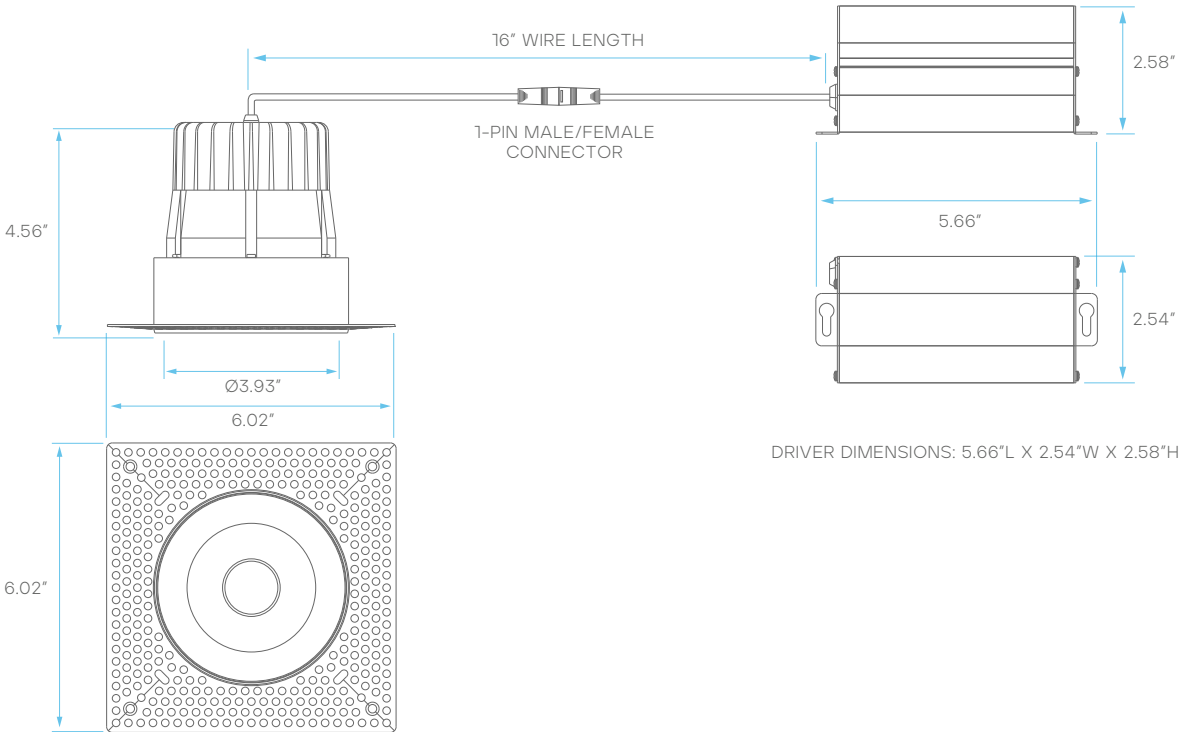
	POWER	INPUT VOLTS	INPUT CURRENT	FREQUENCY	INPUT POWER	OUTPUT VOLTAGE	DIMENSIONS	KNOCKOUTS
INCLUDED DRIVER	25W	120-277V	210mA	60Hz	25W max	36V DC	5.66"L X 2.54"W X 2.58"H	2

MODEL	DESCRIPTION	EM POWER	INPUT VOLTS	INPUT CURRENT	FREQUENCY	INPUT POWER	OUTPUT VOLTAGE	RECHARGE TIME	EMERGENCY TIME
LR35126**	LED/EMR/15W/AC/SF/E	15	100-347V	100mA	50/60Hz	12W max	170V DC	24HR	90MINS

\*AMBIENT TEMPERATURE: 41°F ~ 122°F  
\*SOLD SEPARATELY

## DIMENSIONS

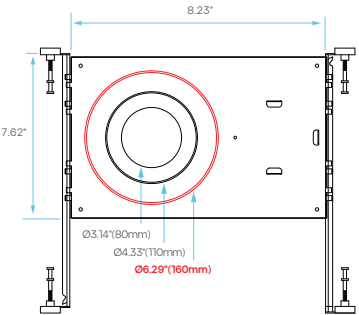
CUTOUT: Ø4.25"



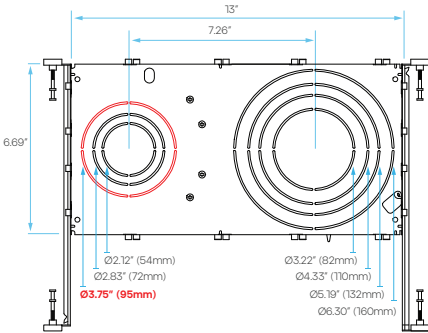
## PLATE COMPATIBILITY\*

\*SOLD SEPARATELY

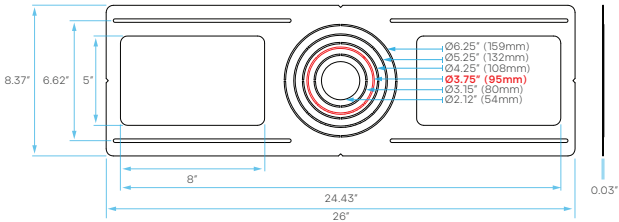
LR41002  
KNOCKOUT  
1



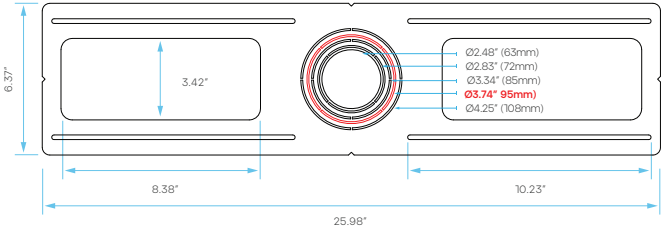
LR41010  
KNOCKOUT  
R1



LR41006  
KNOCKOUT  
3



LR41011  
KNOCKOUT  
4



## LR25434

LED/TLMD4HO/GB/5CCT/RD/WT/UNV/DD/FL



GIMBAL

APERTURE	4"
DISTRIBUTION	FIXED
APPLICATION	NEW CONSTRUCTION/TRIMLESS

### ELECTRICAL

POWER	20W
INPUT VOLTS	120-277V
INPUT CURRENT	180mA
FREQUENCY	50/60Hz
DIMMING TYPE	TRIAC/0-10V
DIMMING RANGE	10-100%
FEED WIRE GAUGE	22AWG
BREAKER SPECIFICATION (15A @120V)	59pcs*

\*Mathematically estimated value. Actual capacity may vary by breaker type and installation environment.

### PHOTOMETRIC

COLOR CCT	2700K/3000K/3500K/4000K/5000K
CRI	90
LUMEN	2000lm
EFFICACY	100lm/w
BEAM ANGLE	36°

### CERTIFICATIONS & SAFETY

LR25434	ETL
WET LOCATION	YES
IC RATED	YES
AIR TIGHT	YES
OPERATING TEMP.	-4°F to 113°F
COST/YR	\$ 2.40
WARRANTY	5 YR

### MATERIAL & APPLICATION

HEAT SINK	ALUMINUM
TRIM	ALUMINUM
LENS	PC
SPACKLE FLANGE	ALUMINUM
CUTOUT	Ø4.25"
MOUNTING TYPE	PUSH AND LOCK TRIMLESS (RECESSED)
AREA OF APPLICATION	RESIDENTIAL, COMMERCIAL
CEILING TYPE	DRYWALL, WOOD

### DRIVER

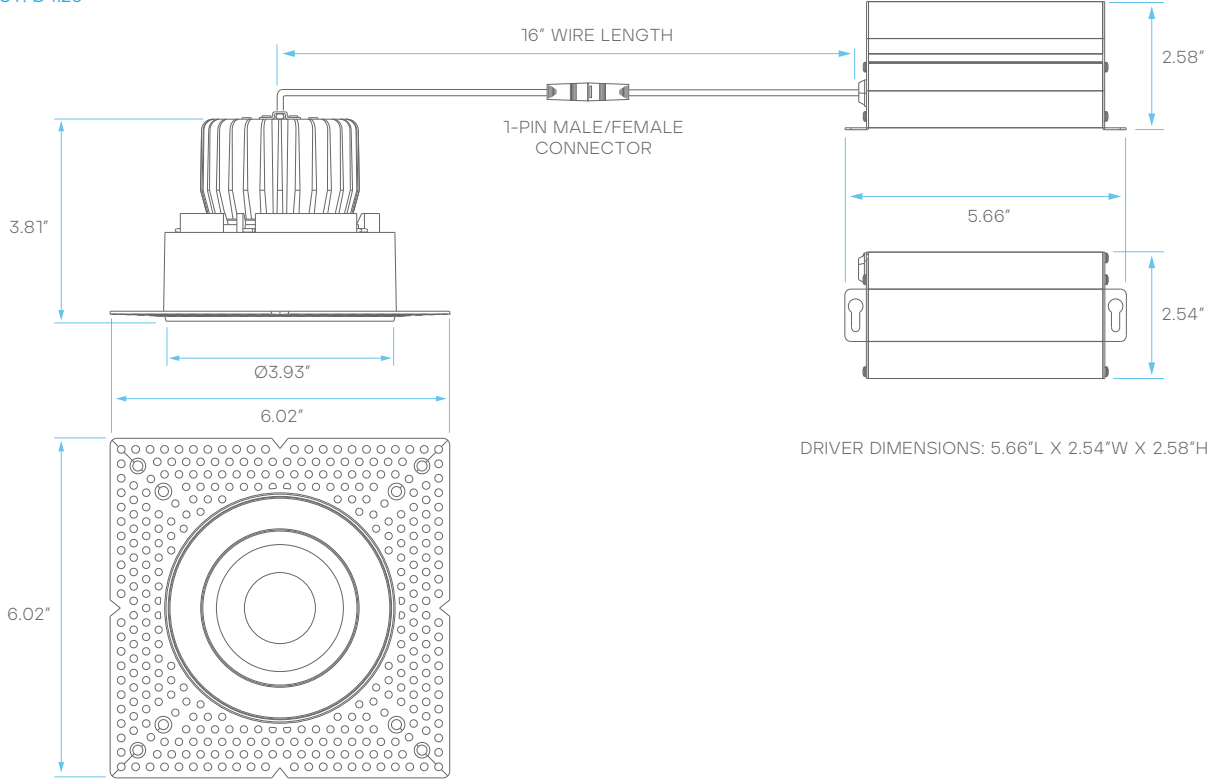
	POWER	INPUT VOLTS	INPUT CURRENT	FREQUENCY	INPUT POWER	OUTPUT VOLTAGE	DIMENSIONS	KNOCKOUTS
INCLUDED DRIVER	20W	120-277V	180mA	50/60Hz	20W max	36V DC	5.66"L X 2.54"W X 2.58"H	2

MODEL	DESCRIPTION	EM POWER	INPUT VOLTS	INPUT CURRENT	FREQUENCY	INPUT POWER	OUTPUT VOLTAGE	RECHARGE TIME	EMERGENCY TIME
LR35126**	LED/EMR/15W/AC/SF/E	15	100-347V	100mA	50/60Hz	12W max	170V DC	24HR	90MINS

\*AMBIENT TEMPERATURE: 41°F ~ 122°F  
\*SOLD SEPARATELY

## DIMENSIONS

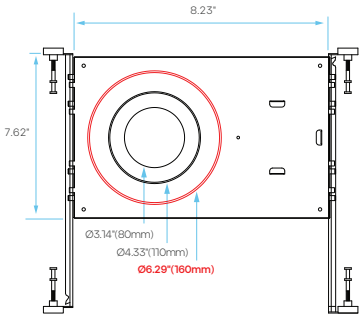
CUTOUT: Ø4.25"



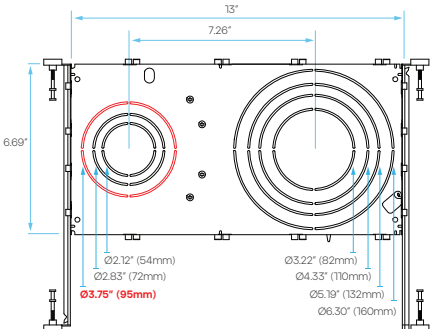
## PLATE COMPATIBILITY\*

\*SOLD SEPARATELY

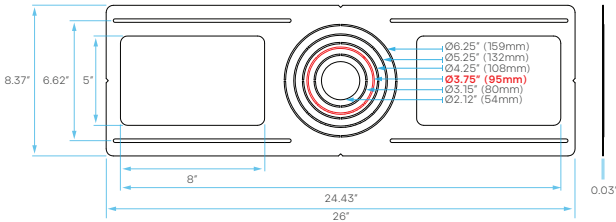
LR41002  
KNOCKOUT  
1



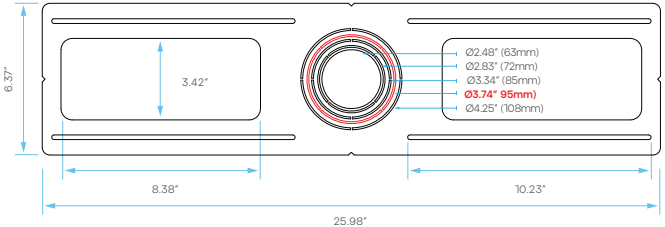
LR41010  
KNOCKOUT  
R1



LR41006  
KNOCKOUT  
3



LR41011  
KNOCKOUT  
4



## LR25462

LED/TLMD4HO/FGB/5CCT/RD/WT/UNV/DD



FLOATING  
GIMBAL

APERTURE	4"
DISTRIBUTION	ADJUSTABLE/FLOATING GIMBAL
APPLICATION	NEW CONSTRUCTION/TRIMLESS

### ELECTRICAL

POWER	20W
INPUT VOLTS	120-277V
INPUT CURRENT	170mA
FREQUENCY	60Hz
DIMMING TYPE	TRIAC/0-10V
DIMMING RANGE	10-100%
FEED WIRE GAUGE	22AWG
BREAKER SPECIFICATION (15A @120V)	59pcs*

\*Mathematically estimated value. Actual capacity may vary by breaker type and installation environment.

### PHOTOMETRIC

COLOR CCT	2700K/3000K/3500K/4000K/5000K
CRI	90
LUMEN	2000lm
EFFICACY	100lm/w
BEAM ANGLE	38°

### CERTIFICATIONS & SAFETY

LR25462	ETL
WET LOCATION	YES
IC RATED	YES
AIR TIGHT	YES
OPERATING TEMP.	-4°F to 113°F
COST/YR	\$ 2.40
WARRANTY	5 YR

### MATERIAL & APPLICATION

HEAT SINK	ALUMINUM
TRIM	ALUMINUM
LENS	PC
SPACKLE FLANGE	ALUMINUM
CUTOUT	Ø4.25"
MOUNTING TYPE	PUSH AND LOCK TRIMLESS (RECESSED)
ROTATION	360°
TILT	90°
AREA OF APPLICATION	RESIDENTIAL, COMMERCIAL
CEILING TYPE	DRYWALL, WOOD

### DRIVER

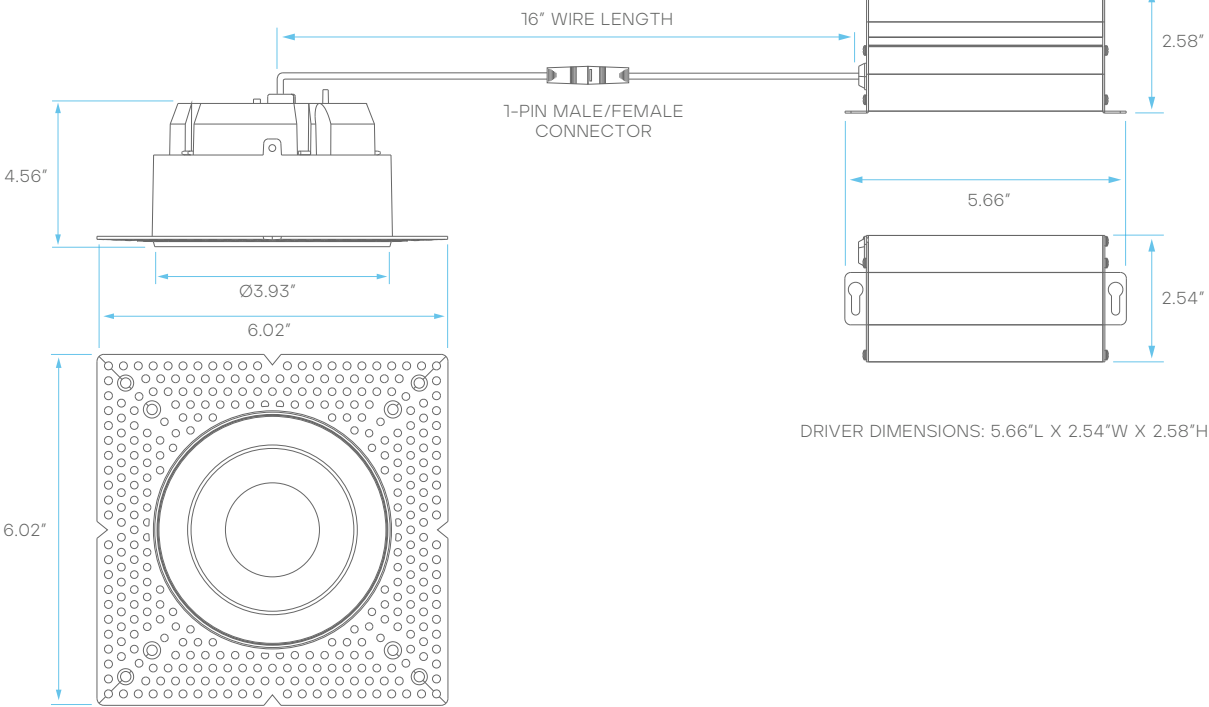
	POWER	INPUT VOLTS	INPUT CURRENT	FREQUENCY	INPUT POWER	OUTPUT VOLTAGE	DIMENSIONS	KNOCKOUTS
INCLUDED DRIVER	20W	120V	170mA	60Hz	20W max	36V DC	5.66"L X 2.54"W X 2.58"H	2

MODEL	DESCRIPTION	EM POWER	INPUT VOLTS	INPUT CURRENT	FREQUENCY	INPUT POWER	OUTPUT VOLTAGE	RECHARGE TIME	EMERGENCY TIME
LR35126**	LED/EMR/15W/AC/SF/E	15	100-347V	100mA	50/60Hz	12W max	170V DC	24HR	90MINS

\*AMBIENT TEMPERATURE: 41°F ~ 122°F  
\*SOLD SEPARATELY

## DIMENSIONS

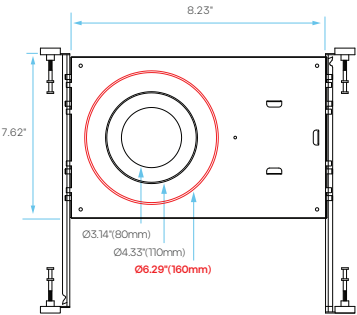
CUTOUT: Ø4.25"



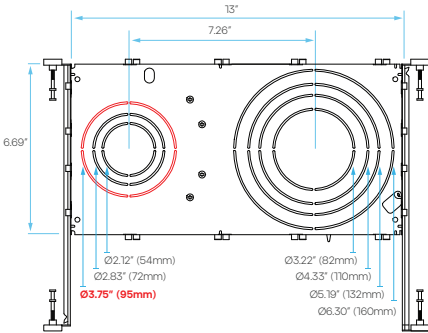
## PLATE COMPATIBILITY\*

\*SOLD SEPARATELY

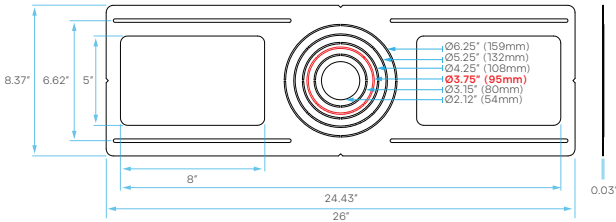
LR41002  
KNOCKOUT  
1



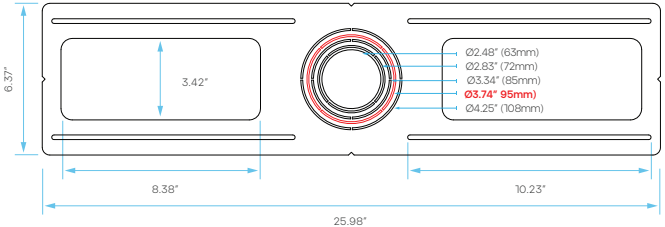
LR41010  
KNOCKOUT  
R1



LR41006  
KNOCKOUT  
3

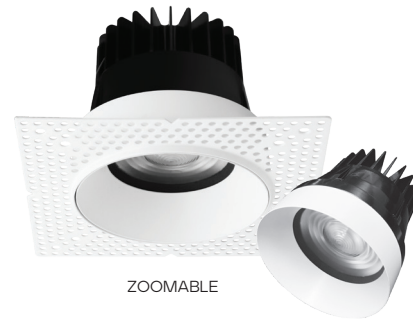


LR41011  
KNOCKOUT  
4



## LR25463

LED/TLMD4HO/5CCT/RD/WT/UNV/DD/ZM



ZOOMABLE

APERTURE	4"
DISTRIBUTION	ZOOMABLE BEAM SPREAD
APPLICATION	NEW CONSTRUCTION/TRIMLESS

### ELECTRICAL

POWER	25W
INPUT VOLTS	120-277V
INPUT CURRENT	208mA
FREQUENCY	50/60Hz
DIMMING TYPE	TRIAC/0-10V
DIMMING RANGE	10-100%
FEED WIRE GAUGE	22AWG
BREAKER SPECIFICATION (15A @120V)	47pcs*

\*Mathematically estimated value. Actual capacity may vary by breaker type and installation environment.

### PHOTOMETRIC

COLOR CCT	2700K/3000K/3500K/4000K/5000K
CRI	90
LUMEN	2100lm
EFFICACY	84lm/w
BEAM ANGLE	20°-50°

### CERTIFICATIONS & SAFETY

LR25463	ETL
WET LOCATION	YES
IC RATED	YES
AIR TIGHT	YES
OPERATING TEMP.	-4°F to 113°F
COST/YR	\$ 3.01
WARRANTY	5 YR

### MATERIAL & APPLICATION

HEAT SINK	ALUMINUM
TRIM	ALUMINUM
LENS	PC
SPACKLE FLANGE	ALUMINUM
CUTOUT	Ø3.38"
MOUNTING TYPE	PUSH AND LOCK TRIMLESS (RECESSED)
AREA OF APPLICATION	RESIDENTIAL, COMMERCIAL
CEILING TYPE	DRYWALL, WOOD

### DRIVER

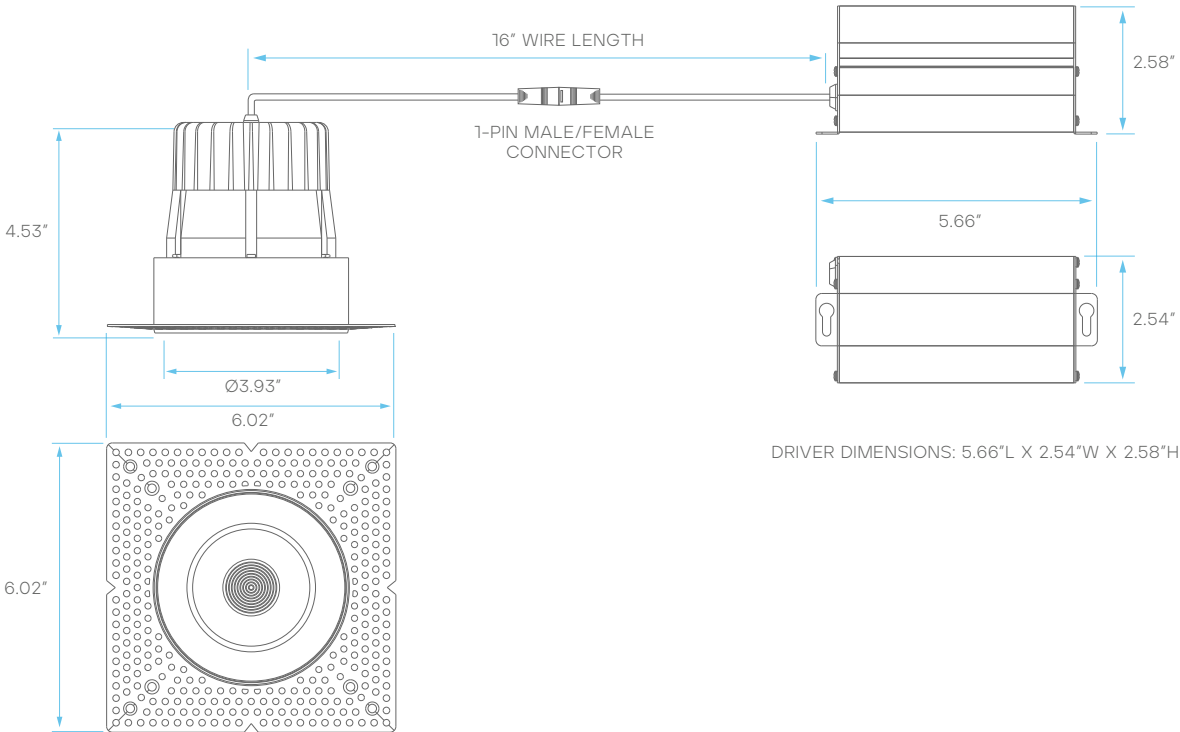
	POWER	INPUT VOLTS	INPUT CURRENT	FREQUENCY	INPUT POWER	OUTPUT VOLTAGE	DIMENSIONS	KNOCKOUTS
INCLUDED DRIVER	25W	120V	208mA	60Hz	25W max	36V DC	5.66"L X 2.54"W X 2.58"H	2

MODEL	DESCRIPTION	EM POWER	INPUT VOLTS	INPUT CURRENT	FREQUENCY	INPUT POWER	OUTPUT VOLTAGE	RECHARGE TIME	EMERGENCY TIME
LR35126**	LED/EMR/15W/AC/SF/E	15	100-347V	100mA	50/60Hz	12W max	170V DC	24HR	90MINS

\*AMBIENT TEMPERATURE: 41°F ~ 122°F  
\*\*SOLD SEPARATELY

## DIMENSIONS

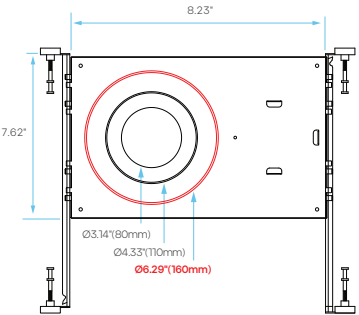
CUTOUT: Ø4.25"



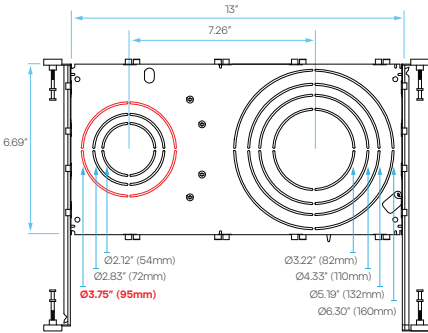
## PLATE COMPATIBILITY\*

\*SOLD SEPARATELY

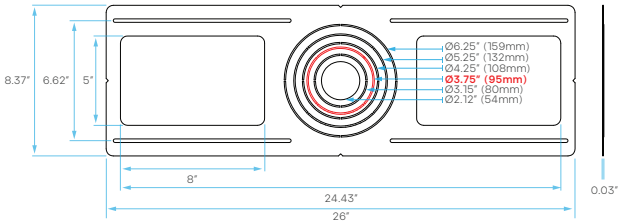
LR41002  
KNOCKOUT  
1



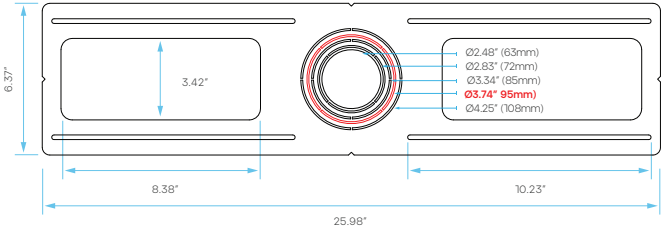
LR41010  
KNOCKOUT  
R1



LR41006  
KNOCKOUT  
3

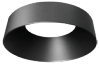
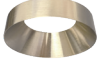

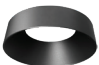
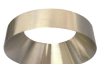













LR41011  
KNOCKOUT  
4






## INTERCHANGEABLE TRIM OPTIONS\*

\*SOLD SEPARATELY

	MODEL	DESCRIPTION	SIZE	FINISH	SHAPE	APPLICATION
	LR25421	LED/TLMD1/5CCT/TRIM/RD/BK	1"	BLACK	ROUND	FIXED
	LR25422	LED/TLMD1/5CCT/TRIM/RD/BN	1"	BRUSHED NICKEL	ROUND	FIXED
	LR25423	LED/TLMD1/5CCT/TRIM/RD/BRS	1"	BRASS	ROUND	FIXED
	LR25441	LED/TLMD2/5CCT/TRIM/RD/BK	2"	BLACK	ROUND	FIXED
	LR25442	LED/TLMD2/5CCT/TRIM/RD/BN	2"	BRUSHED NICKEL	ROUND	FIXED
	LR25443	LED/TLMD2/5CCT/TRIM/RD/BRS	2"	BRASS	ROUND	FIXED
	LR25435	LED/TLMD3/TRIM/RD/BRS	3"	BRASS	ROUND	FIXED
	LR25444	LED/TLMD3/TRIM/RD/BK	3"	BLACK	ROUND	FIXED
	LR25447	LED/TLMD3/TRIM/RD/BN	3"	BRUSHED NICKEL	ROUND	FIXED
	LR25448	LED/TLMD3/WWTRIM/RD/WT	3"	WHITE	ROUND	WALL WASHER
	LR25449	LED/TLMD3/WWTRIM/RD/BK	3"	BLACK	ROUND	WALL WASHER
	LR25464	LED/TLMD4HO/TRIM/RD/BRS	4"	BRASS	ROUND	FIXED
	LR25466	LED/TLMD4HO/TRIM/RD/BK	4"	BLACK	ROUND	FIXED
	LR25467	LED/TLMD4HO/TRIM/RD/BN	4"	BRUSHED NICKEL	ROUND	FIXED
	LR25468	LED/TLMD4HO/WWTRIM/RD/WT	4"	WHITE	ROUND	WALL WASHER
	LR25469	LED/TLMD4HO/WWTRIM/RD/BK	4"	BLACK	ROUND	WALL WASHER











## INTERCHANGEABLE SNOOT OPTIONS\*

\*SOLD SEPARATELY

	MODEL	DESCRIPTON	SIZE	FINISH	SHAPE	APPLICATION
	LR25415	LED/TLMD3/SNOOT/FR	3"	FROST WHITE	ROUND	FIXED
	LR25416	LED/TLMD3/SNOOT/BRS	3"	BRASS	ROUND	FIXED
	LR25417	LED/TLMD3/SNOOT/WOOD	3"	WOOD	ROUND	FIXED
	LR25418	LED/TLMD3/SNOOT/MRBL	3"	MARBLE	ROUND	FIXED



## PLASTER FRAME OPTIONS\*

\*SOLD SEPARATELY

	MODEL	DESCRIPTON	SIZE	FINISH	SHAPE	APPLICATION
	LR25400	LED/TLMD1/PLT/2HD/WT	1" - 2 HEAD	WHITE	ROUND	TRIMLESS
	LR25401	LED/TLMD1/PLT/3HD/WT	1" - 3 HEAD	WHITE	ROUND	TRIMLESS
	LR25402	LED/TLMD1/PLT/4HDS/WT	1" - 4 HEAD	WHITE	ROUND	TRIMLESS
	LR25403	LED/TLMD2/PLT/2HD/WT	2" - 2 HEAD	WHITE	ROUND	TRIMLESS
	LR25404	LED/TLMD2/PLT/3HD/WT	2" - 3 HEAD	WHITE	ROUND	TRIMLESS
	LR25405	LED/TLMD2/PLT/4HDS/WT	2" - 4 HEAD	WHITE	ROUND	TRIMLESS
	LR25457	LED/TLMD3/PLT/2HD/WT	3" - 2 HEAD	WHITE	ROUND	TRIMLESS
	LR25458	LED/TLMD3/PLT/3HD/WT	3" - 3 HEAD	WHITE	ROUND	TRIMLESS
	LR25459	LED/TLMD3/PLT/4HDS/WT	3" - 4 HEAD	WHITE	ROUND	TRIMLESS
	LR25406	LED/TLMD4/PLT/2HD/WT	4" - 2 HEAD	WHITE	ROUND	TRIMLESS

## PLASTER FRAME OPTIONS\*

\*SOLD SEPARATELY

MODEL	DESCRIPTION	SIZE	FINISH	SHAPE	APPLICATION
 LR25407	LED/TLMD4/PLT/3HD/WT	3" - 3 HEAD	WHITE	ROUND	TRIMLESS
 LR25408	LED/TLMD4/PLT/4HDS/WT	3" - 4 HEAD	WHITE	ROUND	TRIMLESS



## SQUARE PLASTER FRAME OPTIONS\*

\*SOLD SEPARATELY

MODEL	DESCRIPTION	SIZE	FINISH	SHAPE	APPLICATION
 LR25424	LED/TLMD3/TRIM/MESH/SQ/WT	3"	WHITE	SQUARE	TRIMLESS
 LR25425	LED/TLMD3/TRIM/MESH/SQ/BK	3"	BLACK	SQUARE	TRIMLESS
 LR25428	LED/TLMD4HO/TRIM/MESH/SQ/WT	4"	WHITE	SQUARE	TRIMLESS
 LR25429	LED/TLMD4HO/TRIM/MESH/SQ/BK	4"	BLACK	SQUARE	TRIMLESS

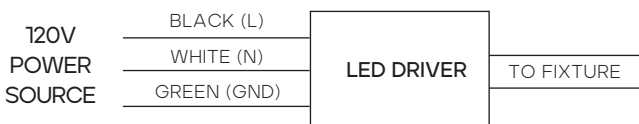
## WIRE EXTENDER OPTIONS\*

\*SOLD SEPARATELY

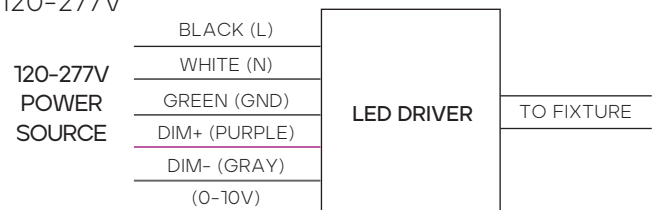
MODEL	DESCRIPTION	SIZE	
 LR25426	LED/TLMD/48WIRE/EXT	48"	
 LR25427	LED/TLMD/120WIRE/EXT	120"	

## WIRING DIAGRAM

120V



120-277V



## SUGGESTED COMPATIBLE DIMMER\*

### TRIAC DIMMING\*

LUTRON	CTCL-153P
	DVCL-153PDH
	DVCL-153P
LEVITON	6672
	6674
PASS & SEYMOUR	HCL453PTCCCV6

### 0-10V DIMMING\*

LUTRON	DIVA - DDTV
	DIVA - NFTV
	NOVA T - NTFTV
LEVITON	ILLUMATECH - IP7
LIGHTOLIER CONTROLS	ZP600FAM120
PHILIPS	SRT200ZTUNV

\*Dimmer performance may vary based on load, wiring, and installation conditions. Inclusion on this chart does not guarantee compatibility for every installation, and omission does not indicate incompatibility. Refer to the dimmer manufacturer's installation instructions and verify minimum load requirements to avoid field issues

## PACKAGING

MODEL	STYLE	INNER BOX DIMENSIONS	MASTER CARTON DIMENSIONS	CASE
LR25430	INNER BOX + MASTER CARTON	5.66" X 3.70" X 6.53"	17.72" X 15.55" X 13.78"	24
LR25431	INNER BOX + MASTER CARTON	5.66" X 3.70" X 6.53"	17.72" X 15.55" X 13.78"	24
LR25445	INNER BOX + MASTER CARTON	5.31" X 3.93" X 7"	16.73" X 16.53" X 14.57"	24
LR25446	INNER BOX + MASTER CARTON	5.31" X 3.93" X 7"	16.73" X 16.53" X 14.57"	24
LR25450	INNER BOX + MASTER CARTON	5.51" X 4.92" X 6.69"	20.66" X 17.32" X 14.17"	24
LR25455	INNER BOX + MASTER CARTON	5.51" X 4.92" X 6.69"	20.66" X 17.32" X 14.17"	24
LR25451	INNER BOX + MASTER CARTON	5.51" X 4.92" X 6.69"	20.66" X 17.32" X 14.17"	24
LR25460	INNER BOX + MASTER CARTON	6.22" X 4.92" X 7.48"	20.07" X 18.90" X 15.16"	24
LR25465	INNER BOX + MASTER CARTON	6.22" X 4.92" X 7.48"	20.07" X 18.90" X 15.16"	24
LR25410	INNER BOX + MASTER CARTON	5.51" X 4.52" X 6.69"	19.09" X 17.32" X 14.17"	24
LR25454	INNER BOX + MASTER CARTON	5.51" X 4.52" X 6.69"	19.09" X 17.32" X 14.17"	24
LR25452	INNER BOX + MASTER CARTON	5.51" X 2.75" X 6.96"	17.32" X 12" X 14.76"	24
LR25433	INNER BOX + MASTER CARTON	5.31" X 4.01" X 6.69"	16.92" X 16.92" X 14.17"	24
LR25434	INNER BOX + MASTER CARTON	6.41" X 3.93" X 7.87"	17.32" X 13.58" X 18.70"	24
LR25462	INNER BOX + MASTER CARTON	6.22" X 3.07" X 7.99"	19.48" X 13.18" X 17.63"	24
LR25453	INNER BOX + MASTER CARTON	5.51" X 4.92" X 6.69"	20.66" X 17.32" X 14.17"	24
LR25463	INNER BOX + MASTER CARTON	6.41" X 4.72" X 7.87"	17.32" X 13.58" X 18.70"	24