

Heavy Duty Universal Power Pack

POWER PACKS AND RELAYS

FEATURES

- Universal voltage: 120/277/347VAC; 50/60Hz
- Automatic voltage detection
- Electrical loads switching capability: maximum of 20 Amps
- Regulated 24VDC current; 250mA output
- Zero arc point switching
- Plenum Rated
- Auto or Manual ON operation
- Powers up to six low voltage sensors
- Five-year limited warranty



SPECIFICATIONS

CONSTRUCTION

- Housing: Rugged injection molded plastic, UL 94-5VA flame class rating
- Color: Black
- Weight: 5.62oz (159.3g)
- Dimensions: 4.0" (101.60mm) L x 3.4" (86.36mm) W x 1.73" (43.94mm) H

MOUNTING

- Mounts directly to an external junction box through a 1/2" threaded chase nipple
- Mounts inside junction box using #6-32 pan head screws

ELECTRICAL

Input:

- 120/277/347VAC, 20A Max, 50/60 Hz

Output:

- 20A, Ballast, Incandescent
- 16A, Electronic Ballast
- 1HP @120VAC, 1HP @240/347VAC

Low Voltage Output:

- 24VDC; 250mA nominal, isolated, and regulated

OPERATING ENVIRONMENT

- Rated for indoor use only
- Operating Temperature: -40°F to 149°F (-40°C to 65°C)
- Relative humidity (non-condensing) 0% to 90%

CERTIFICATIONS

- cULus Listed
- UL2043 Plenum Rated

WARRANTY

- 5-year limited warranty
- See website for additional information

ORDERING GUIDE

Example: UVPPHD+

CATALOG #

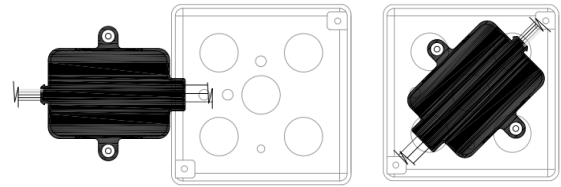
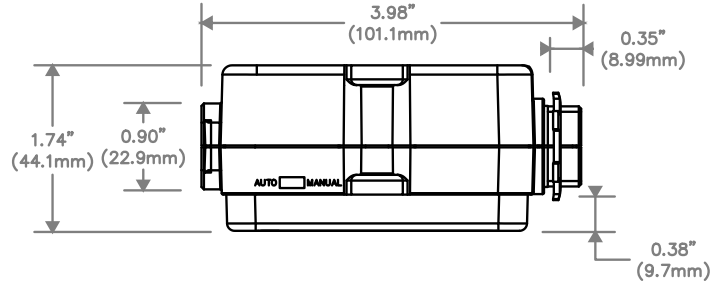
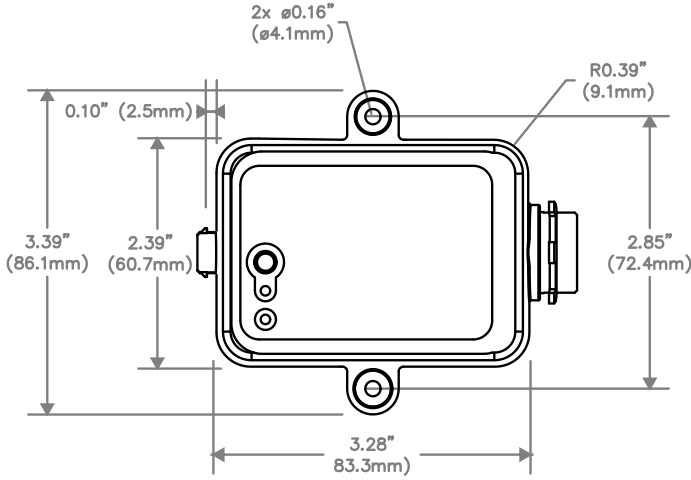
Model

UVPPHD+ Heavy Duty Universal Voltage Power Pack with Automatic or Manual ON operation

Heavy Duty Universal Power Pack

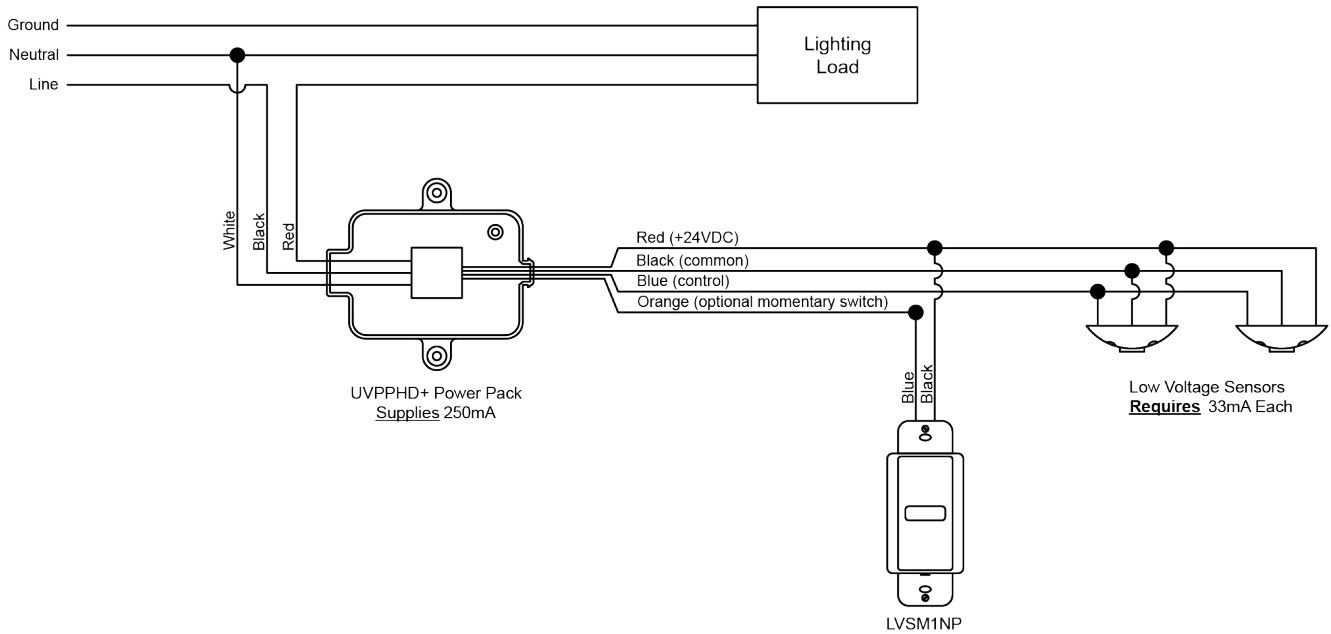
POWER PACKS AND RELAYS

DIMENSIONS



ADDITIONAL INFORMATION

WIRING DIAGRAM

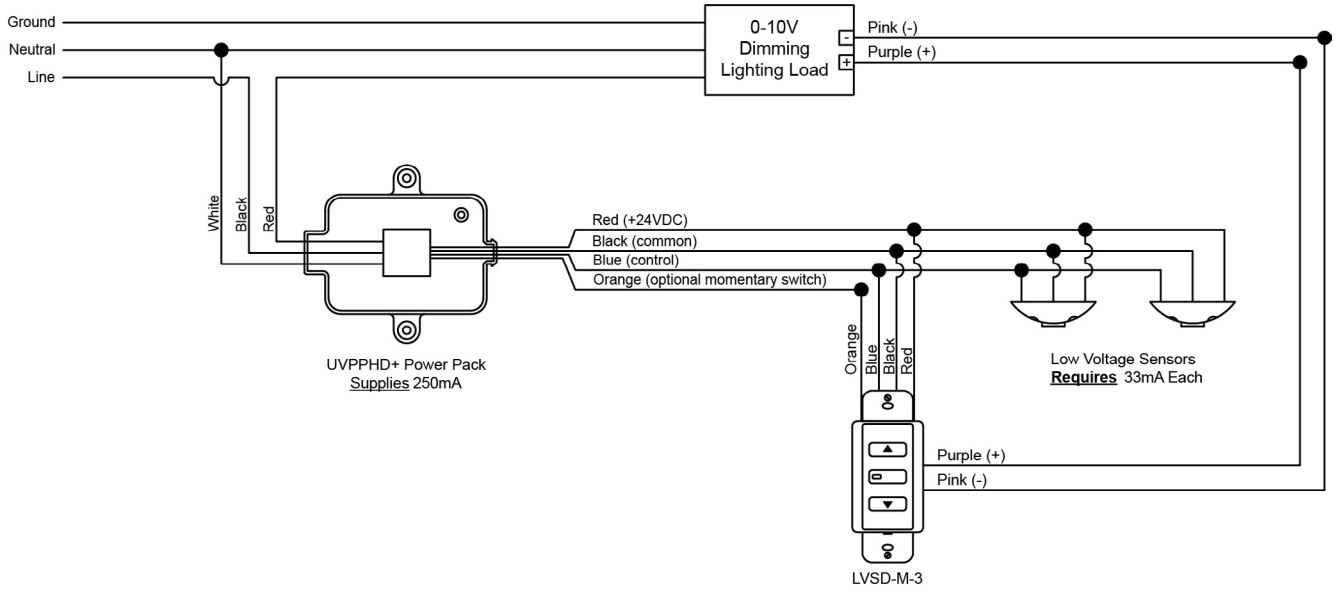


UVPPHD+ with Multiple Sensors and a Low Voltage Momentary Switch

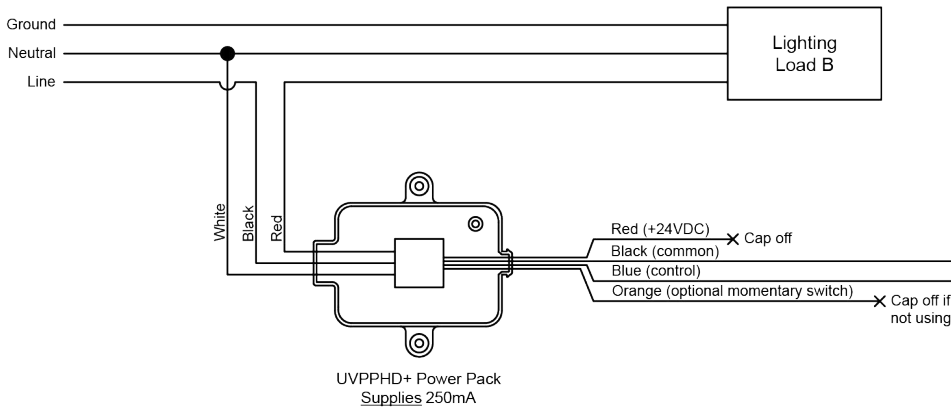
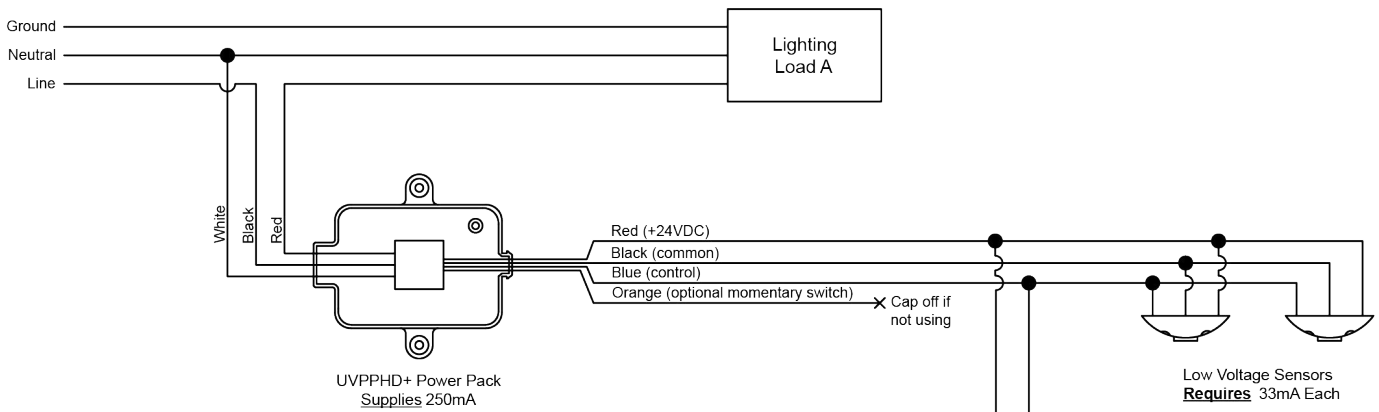
Heavy Duty Universal Power Pack

POWER PACKS AND RELAYS

WIRING DIAGRAM (CONTINUED)



UVPPHD+ with Multiple Sensors and a Low Voltage 0-10V Dimming Momentary Switch



Connecting More Than One UVPPHD+ Power Pack