



SENSORWORX®

LINE VOLTAGE 2 or 3-WAY WALL SWITCH

INSTALLATION & OPERATION INSTRUCTIONS

CATALOG NUMBERS	DESCRIPTIONS
SWX-821-xx	2 or 3-Way Wall Switch, Line Voltage

* xx = color (WH, IV, LA, GY, RD, BK)

ADDITIONAL OPTIONS

- **HE:** High Humidity Environment

OVERVIEW

The **SENSORWORX** line voltage wall switch provides a simple solution for spaces where switching from one or two locations (i.e. 3-way switching) is required. In particular, this unit provides a companion upstream 3-way switch for a **SENSORWORX** model SWX-823 dimmer for 0-10V lighting loads. The visual style of this single-button toggle switch matches the rest of the **SENSORWORX** family of wall switch occupancy sensors and dimmers.

SPECIFICATIONS

ELECTRICAL

OPERATING VOLTAGE

120/277 VAC, 50/60 Hz

LOAD RATINGS

MAX: 800W @ 120VAC
1200W @ 277VAC

MIN: None

LOAD TYPES

LED Driver/Lamps
CFL, Electronic/Magnetic Ballast
(Fluorescent)
Tungsten (Incandescent)

ENVIRONMENTAL

OPERATING TEMP

32°F to 122°F (0°C to 50°C) - Standard
-40° F/C (with **-HE** Option)

RELATIVE HUMIDITY

0-95% Non-Condensing
Indoor Use Only

PHYSICAL

SIZE

2.74"H x 1.68"W x 1.39"D
(6.96 x 4.27 x 3.53 cm)
Not Including Mounting Strap
< 1" Wallbox Mounting Depth

WEIGHT

4.5 oz

MOUNTING

Single Gang Switch Box



FEATURES

ELECTRICAL FEATURES

- Works as Standalone or 3-Way Switch
- Accommodates Neutral (3-Wire) and No-Neutral (2-Wire) Installation
- Electronically Timed (i.e. Zero Cross) Switching Ensures Long Relay Life
- Meets NEC 404.2(c) & 404.22 Guidelines Regarding Powering Over Ground & Current Leakage

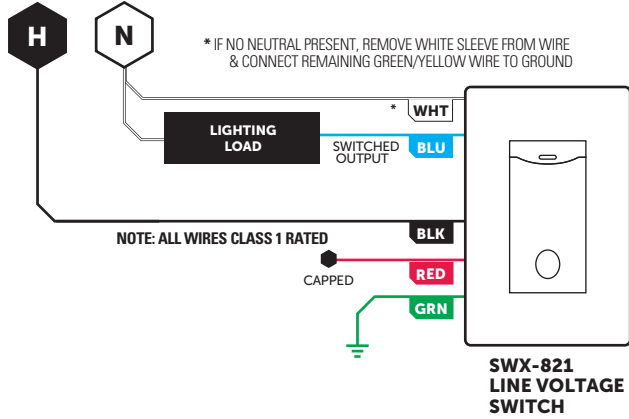
PHYSICAL FEATURES

- White or Blue Locator LED
- Self-Grounding Mounting Strap
- Modern Look and Intuitive Easy-Tap Button
- Style Matches Other SENSORWORX Wall Devices (i.e. Sensors & Dimmers)

WIRING

- Unit works both in installations where neutral connection is available as well as installations where only ground connection is present.
- If no neutral is present, remove the white sleeve from the wire & connect the now green/yellow wire to ground.
- Note, either the white wire or green/yellow wire must be connected. The all green wire is just for safety.

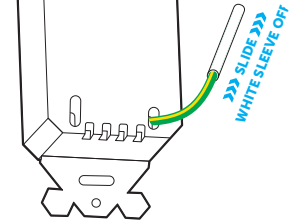
STANDALONE WIRING (i.e. switching from 1 location)



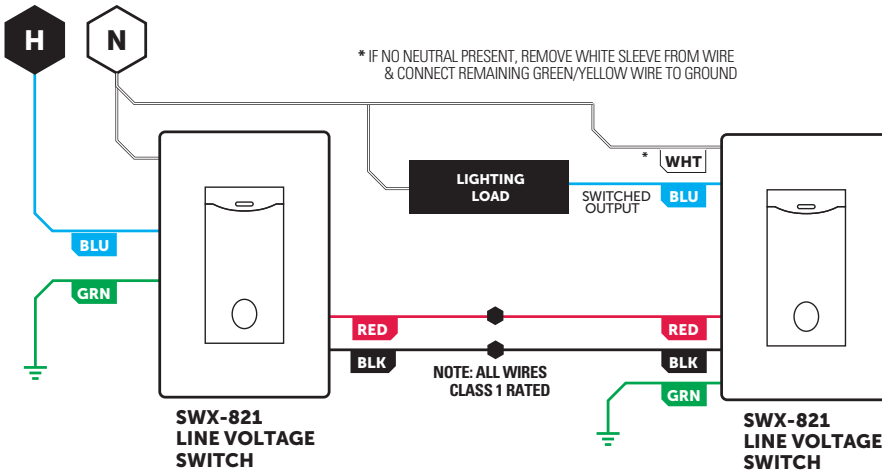
NOTE: This product is UL listed and meets NEC 404.2(c) & 404.22 guidelines regarding powering over ground & current leakage. Powering over ground is permitted for replacement / retrofit only.

NEUTRAL TO GROUND CONVERSION DETAIL

- The white wire has a removable sleeve which reveals a green/yellow wire

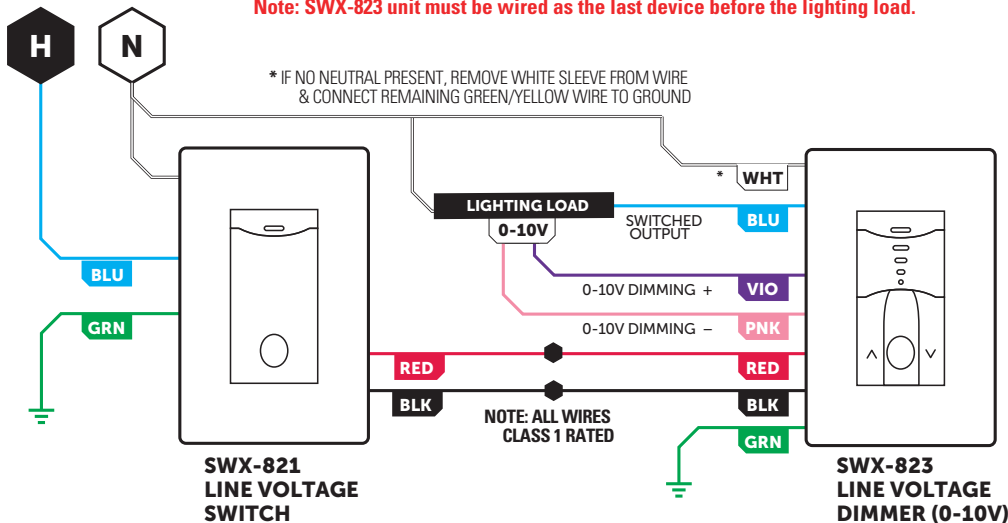


3-WAY WIRING (i.e. switching from 2 locations)



3-WAY WIRING UPSTREAM of a SWX-823 DIMMER

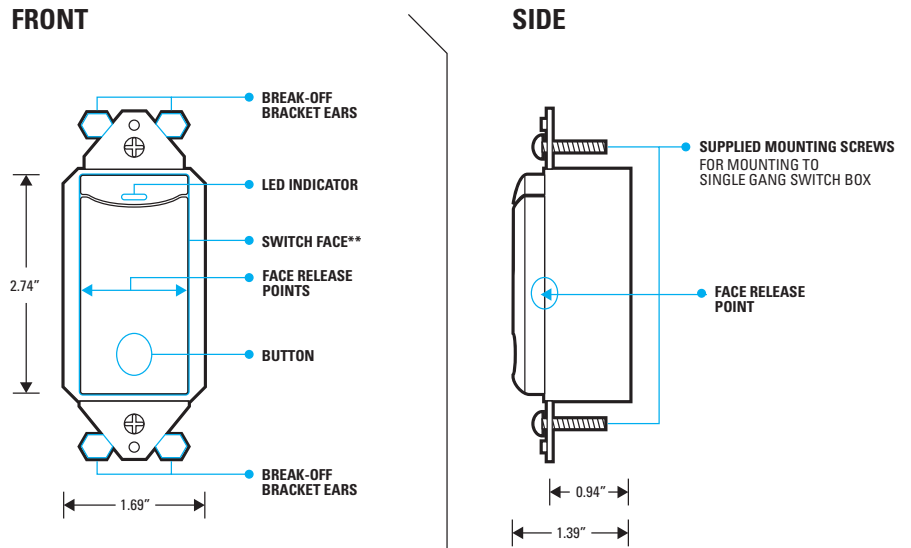
Note: SWX-823 unit must be wired as the last device before the lighting load.



INSTALLATION

MOUNTING

- Designed to mount in 1-gang wall box with 3.28" hole spacing
- Units also can share multiple gang wall boxes with other devices



** SWITCH FACE IS FIELD REMOVABLE IN ORDER TO CHANGE COLORS. CONTACT FACTORY FOR ADDITIONAL FACES

CONFIGURATION SETTINGS

FUNCTION #3 LED FUNCTION

The unit has a single locator LED that is blue. It can be programmed to be white or off by following the below steps:

- 1 Press and hold the push button until LED begins flashing rapidly, then release.
- 2 Tap the button 3 times to access the LED Operation function.
- 3 The LED will blink back white the number of times equal to the current setting as shown below (e.g., 3 times for blue). Following a short pause, this blink back sequence will repeat 5 times before exiting.
- 4 Interrupt blink back by pressing the button the number of times corresponding to the new setting (e.g., 2 times for white). The LED will blink back white the number as confirmation (repeats 5 times before exiting).
- 5 To exit and save, press and hold the push button until blue LED changes to white, then release. Unit will blink white twice indicating save was successful. If LED blinks twice blue, an error condition occurred.

SETTING TABLE FOR FUNCTION #3 - LED FUNCTION

SETTING #	DESCRIPTION	NOTES
2	Locator LED always white	
3	Locator LED always blue	Default
4	Locator LED disabled	

FUNCTION #8 RESTORE FACTORY DEFAULTS

To reset the unit to factory default settings, follow the below steps:

- 1 Press and hold the push button until LED begins flashing rapidly, then release.
- 2 Tap the button 8 times.
- 3 The LED will blink back white two times. Following a short pause, this blink back sequence will repeat 5 times before exiting.
- 4 Interrupt blink back by pressing the button the 3 times. The LED will blink back white 3 times as confirmation (repeats 5 times before exiting).
- 5 To exit and save, press and hold the push button until blue LED changes to white, then release. Unit will blink white twice indicating success. If LED blinks twice blue, an error condition occurred.

