



L.T.F.

No-Load Electronic Transformers

TA, TE, TU 96W 24V AC & DC Series



Efficiency	> 85%
Power Factor	> 98%
Case TC	90C° Max
Protection	Input / Output
Storage	-30C° / +90C°
Humidity	95% RH max
IP Rating	IP 60
Dimming	ELV, Optional 0-10V
Class	Class 2



RoHS



*Ask for more information

FEATURES

- No load technology, works with both halogen & LED, AC or DC loads
- Dimmable with ELV type dimmers
- Isolated output power per NEC and UL safety requirements
- UL recognized/listed Class 2 power supply, meets UL 2108 requirements
- Auto-reset; short circuit, overload and thermal protection
- Soft start
- Low profile, small compact design to fit in most enclosures
- Available with optional UL listed indoor and outdoor remote enclosures

ELECTRICAL SPECIFICATIONS

TA Series 120V

Model #	Input Voltage	Input Current	Output Voltage	Weight	Load Type
TA96WA24LED	120V AC 50/60Hz	0.8A	24V AC	240g	AC LED Bulbs, Incandescent & Halogen Bulbs
TA96WD24LED	120V AC 50/60Hz	0.8A	24V DC	240g	LED Strips, LED Bulbs, Incandescent & Halogen Bulbs

TA Series 120V Remote

Model #	Input Voltage	Input Current	Output Voltage	Weight	Load Type
TA96WD24LEDRE	120V AC 50/60Hz	0.8A	24V DC	713g	LED Strips, LED Bulbs, Incandescent & Halogen Bulbs
TA96WD24LEDREO	120V AC 50/60Hz	0.8A	24V DC	1037g	LED Strips, LED Bulbs, Incandescent & Halogen Bulbs

TU Series 220-240V

Model #	Input Voltage	Input Current	Output Voltage	Weight	Load Type
TU96WA24LED	220-240V AC 50/60Hz	0.43A	24V AC	240g	AC LED Bulbs, Incandescent & Halogen Bulbs
TU96WD24LED	220-240V AC 50/60Hz	0.43A	24V DC	240g	LED Strips, LED Bulbs, Incandescent & Halogen Bulbs



L.T.F.

No-Load Electronic Transformers

TA, TE, TU 96W 24V AC & DC Series



ELECTRICAL SPECIFICATIONS

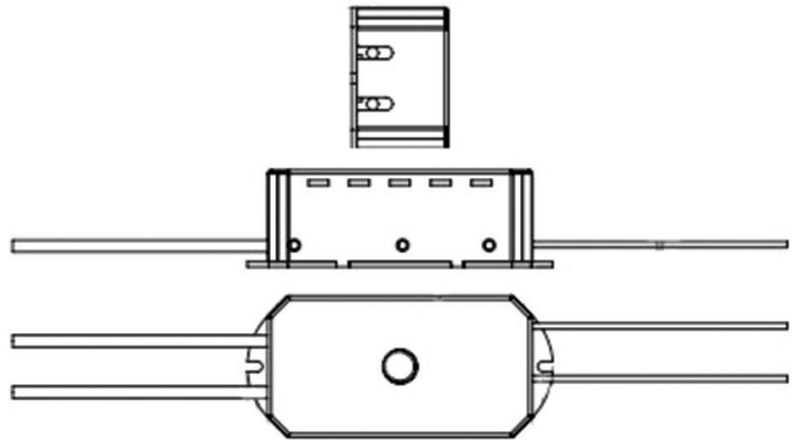
TU Series 220-240V Remote

Model #	Input Voltage	Input Current	Output Voltage	Weight	Load Type
TU96WD24LEDRE	220-240V AC 50/60Hz	0.43A	24V DC	713g	LED Strips, LED Bulbs, Incandescent & Halogen Bulbs
TU96WD24LEDREO	220-240V AC 50/60Hz	0.43A	24V DC	1037g	LED Strips, LED Bulbs, Incandescent & Halogen Bulbs

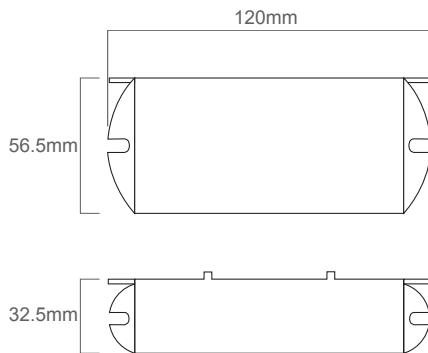
MECHANICAL SPECIFICATIONS

Available Form Factors	Dimensions
Standard AC "E5"	110x47x35mm
Standard DC "E6"	120x55.5x38mm
"B5"	77x32x21mm
"E"	120x56.5x32.5mm
"G2"	233.1x85.5x48.9mm
"G3"	280x103x56mm

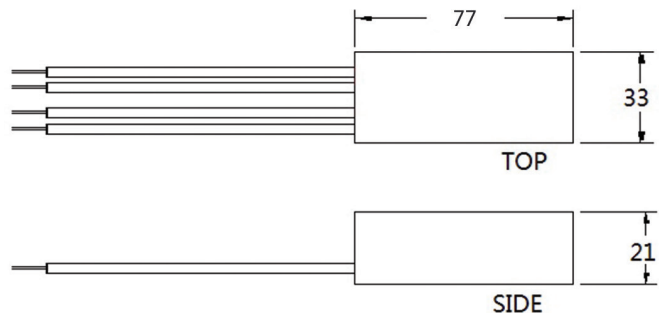
E5 (AC), E6 (DC) - STANDARD



E - SPECIAL ORDER



B5 SPECIAL ORDER (AC MODELS ONLY)





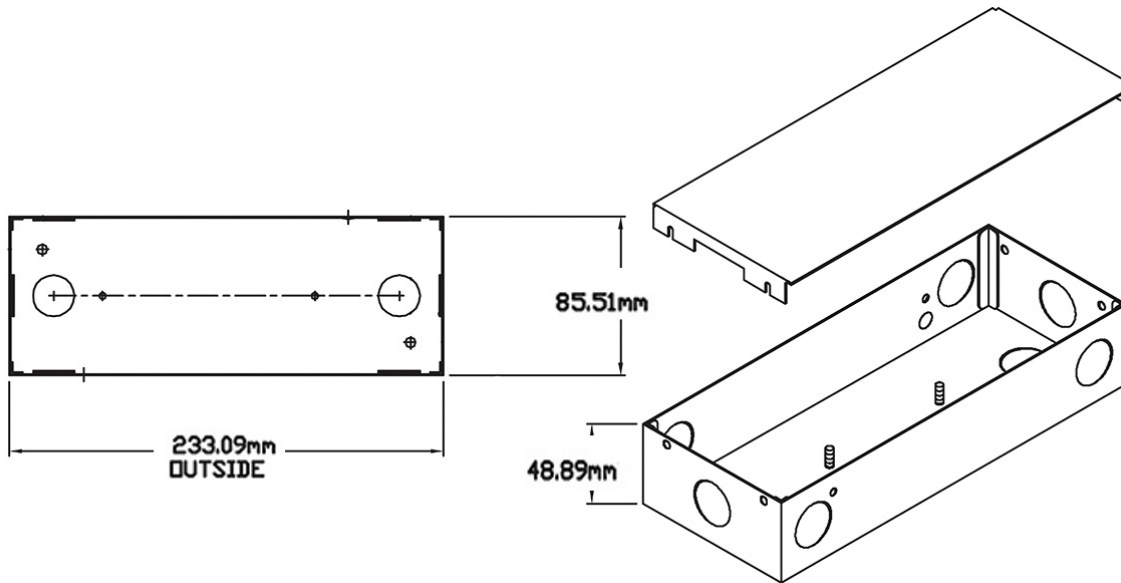
L.T.F.

No-Load Electronic Transformers

TA, TE, TU 96W 24V AC & DC Series



G2 - REMOTE (RE) INDOOR ENCLOSURE - UL LISTED



G3 - REMOTE (REO) OUTDOOR ENCLOSURE - UL LISTED

