

## LED OUTDOOR

### UNIVERSAL FLOOD LIGHT

### CCT/WATTAGE/BEAM ANGLE SELECTABLE

35W, 60W, 80W, 150W, 300W



BEAM ANGLE SELECTABLE

CRI  
80

COLOR SELECTABLE  
3000K | 4000K | 5000K

WATTAGE  
SELECTABLE  
3 OPTIONS

PHOTOCELL  
SENSOR

BEAM  
SPREAD  
SELECTABLE

SURGE  
PROTECTOR

DIMMABLE  
0-10V

120-  
277V

WET  
LOCATION  
RATED  
IP-65

5  
YEAR  
WARRANTY

ITEM No.  
**LR41370**

DESCRIPTION  
LEDXFL35/3CCT/3WO/3BA/UNV/D/PC/KNU/BZ

POWER  
15W  
25W  
35W

BEAM SPREAD SELECTABLE  
135°/125°  
120°/120°  
90°/90°

DC  
PHOTOCELL  
SENSOR

6KV  
SURGE  
PROTECTOR

DLC  
LISTED  
PREMIUM

UL  
CERTIFIED

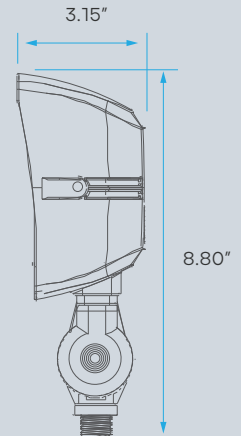
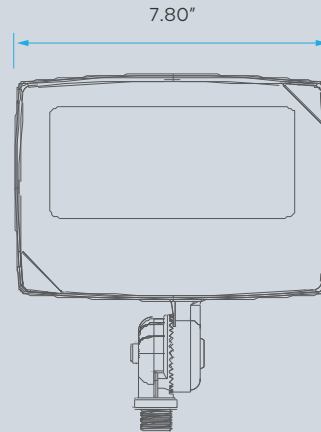


KNUCKLE MOUNT

\*INCLUDED

35W

15W | 25W | 35W



INPUT POWER	5H5V						6H6V						7H6V					
	3000K		4000K		5000K		3000K		4000K		5000K		3000K		4000K		5000K	
	EFFICACY	LUMEN	EFFICACY	LUMEN	EFFICACY	LUMEN	EFFICACY	LUMEN	EFFICACY	LUMEN	EFFICACY	LUMEN	EFFICACY	LUMEN	EFFICACY	LUMEN	EFFICACY	LUMEN
35	128	4,480	139	4,865	133	4,655	139	4,760	150	5,250	145	5,075	128	4,480	136	4,760	130	4,550
25	131	3,275	143	3,550	136	3,400	139	3,475	153	3,825	148	3,700	131	3,275	139	3,475	133	3,325
15	134	2,010	145	2,175	139	2,085	142	2,130	156	2,340	151	2,265	133	1,995	142	2,130	136	2,040
PHOTOMETRIC	CRI						>80											
	COLOR CONSISTENCY						<7 SDCM											
	BUG						B4-U0-G5											
	DISTRIBUTION PATTERN						7H6V/6H6/5H5V											
	BEAM ANGLE (50%) (TOLERANCE: ±10%)						135°/125°/120°/120°/90°/90 DEGREE											
ELECTRICAL	INPUT VOLTAGE						120-277VAC											
	FREQUENCY						50/60Hz											
	POWER FACTOR (TOLERANCE: -3%)						>0.9											
	THD (TOLERANCE: +5%)						<20%											
	FLICKER PERCENT						<5%											
	SURGE PROTECTION						L/N-PE: 6kV, L-N: 6kV											
	DIMMING						0-10V											
	IP RATING						IP-65											
MATERIALS	CHIP						SMD2835											
	LED QTY						96*2											
	HOUSING						DIE CAST ALUMINUM											
TEMPERATURE	OPERATING TEMPERATURE						-40°F TO 122°F											
	OPERATING HUMIDITY						20% - 90% RH											

ITEM No.  
**LR41371**

DESCRIPTION  
LEDXFL60/3CCT/3WO/3BA/UNV/D/PC/KNU/TRN/BZ

POWER  
40W  
50W  
60W

BEAM SPREAD SELECTABLE  
135°\*125°  
120°\*120°  
90°\*90°

DC  
PHOTOCELL  
SENSOR

6KV  
SURGE  
PROTECTOR

DLC  
LISTED  
PREMIUM

UL  
CERTIFIED



60W

40W | 50W | 60W

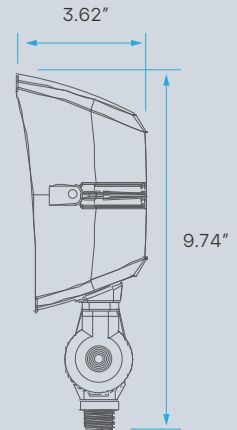
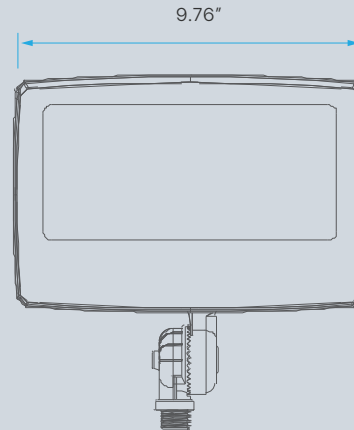


KNUCKLE MOUNT

\*INCLUDED

TRUNION MOUNT

\*INCLUDED



INPUT POWER	5H5V						6H6V						7H6V					
	3000K		4000K		5000K		3000K		4000K		5000K		3000K		4000K		5000K	
	EFFICACY	LUMEN	EFFICACY	LUMEN	EFFICACY	LUMEN	EFFICACY	LUMEN	EFFICACY	LUMEN	EFFICACY	LUMEN	EFFICACY	LUMEN	EFFICACY	LUMEN	EFFICACY	LUMEN
60	139	8,340	154	9,240	148	8,880	145	8,700	158	9,480	155	9,300	140	8,400	155	9,300	149	8,940
50	142	7,100	157	7,850	151	7,550	148	7,400	161	8,050	158	7,900	143	7,150	158	7,900	152	7,600
40	145	5,800	160	6,400	154	6,160	151	6,040	164	6,560	161	6,440	146	5,840	161	6,440	155	6,200
PHOTOMETRIC	CRI						>80											
	COLOR CONSISTENCY						<7 SDCM											
	BUG						B4-U0-G5											
	DISTRIBUTION PATTERN						7H6V/6H6V/5H5V											
	BEAM ANGLE (50%) (TOLERANCE: ±10%)						135°*125°/120°*120°/90°*90 DEGREE											
ELECTRICAL	INPUT VOLTAGE						120-277VAC											
	FREQUENCY						50/60Hz											
	POWER FACTOR (TOLERANCE: -3%)						>0.9											
	THD (TOLERANCE: +5%)						<20%											
	FLICKER PERCENT						<5%											
	SURGE PROTECTION						L/N-PE: 6kV, L-N: 6kV											
	DIMMING						0-10V											
	IP RATING						IP-65											
MATERIALS	CHIP						SMD2835											
	LED QTY						238*2											
	HOUSING						DIE CAST ALUMINUM											
TEMPERATURE	OPERATING TEMPERATURE						-40°F TO 122°F											
	OPERATING HUMIDITY						20% - 90% RH											

ITEM No.  
**LR41372**

DESCRIPTION  
LEDXFL80/3CCT/3WO/3BA/UNV/D/PC/KNU/TRN/BZ

POWER  
45W  
60W  
80W

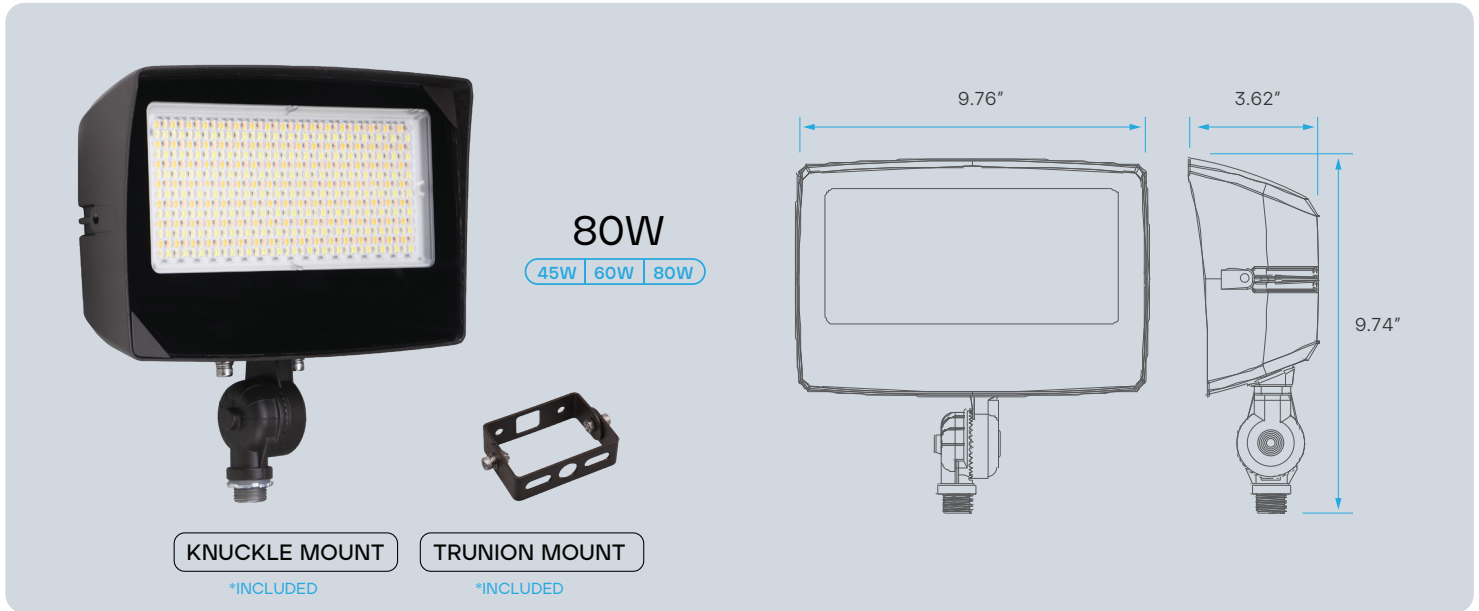
BEAM SPREAD SELECTABLE  
135°/125°  
120°/120°  
90°/90°

DC  
PHOTOCELL  
SENSOR

6.0KV  
SURGE  
PROTECTOR

DLC  
LISTED  
PREMIUM

UL  
CERTIFIED



INPUT POWER	5H5V						6H6V						7H6V					
	3000K		4000K		5000K		3000K		4000K		5000K		3000K		4000K		5000K	
	EFFICACY	LUMEN	EFFICACY	LUMEN	EFFICACY	LUMEN	EFFICACY	LUMEN	EFFICACY	LUMEN	EFFICACY	LUMEN	EFFICACY	LUMEN	EFFICACY	LUMEN	EFFICACY	LUMEN
80	142	11,360	156	12,480	150	12,000	146	11,680	156	12,480	152	12,160	139	11,120	154	12,320	147	11,760
60	145	8,700	159	9,540	153	9,180	149	8,940	159	9,540	155	9,300	142	8,520	157	9,420	150	9,000
45	148	6,660	162	7,290	156	7,020	152	6,840	162	7,290	158	7,110	145	6,525	160	7,200	153	6,885
PHOTOMETRIC	CRI						>80											
	COLOR CONSISTENCY						<7 SDCM											
	BUG						B4-U0-G5											
	DISTRIBUTION PATTERN						7H6V/6H6V/5H5V											
	BEAM ANGLE (50%) (TOLERANCE: ±10%)						135°/125°/120°/120°/90°/90 DEGREE											
ELECTRICAL	INPUT VOLTAGE						120-277VAC											
	FREQUENCY						50/60Hz											
	POWER FACTOR (TOLERANCE: -3%)						>0.9											
	THD (TOLERANCE: +5%)						<20%											
	FLICKER PERCENT						<5%											
	SURGE PROTECTION						L/N-PE: 6.0kV, L-N: 6.0kV											
	DIMMING						0-10V											
	IP RATING						IP-65											
MATERIALS	CHIP						SMD2835											
	LED QTY						238*2											
	HOUSING						DIE CAST ALUMINUM											
TEMPERATURE	OPERATING TEMPERATURE						-40°F TO 122°F											
	OPERATING HUMIDITY						20% - 90% RH											

ITEM No.  
**LR41375**

DESCRIPTION  
LEDXFL150/3CCT/3WO/3BA/UNV/D/PC/SLF/TRN/BZ

POWER  
100W  
120W  
150W

BEAM SPREAD SELECTABLE  
135°/125°  
120°/120°  
90°/90°

DC  
PHOTOCELL  
SENSOR

10KV  
SURGE  
PROTECTOR

DLC  
LISTED  
PREMIUM

UL  
CERTIFIED



150W

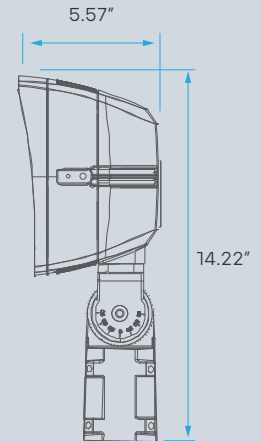
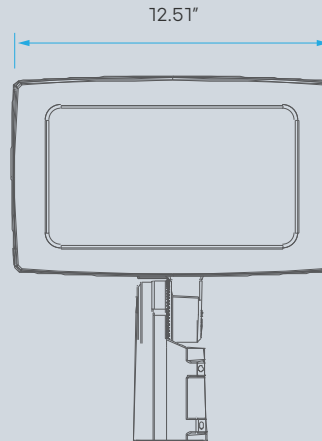
100W | 120W | 150W

SLIPFITTER MOUNT

\*INCLUDED

TRUNION MOUNT

\*INCLUDED



	5H5V						6H6V						7H6V					
	3000K		4000K		5000K		3000K		4000K		5000K		3000K		4000K		5000K	
INPUT POWER	EFFICACY	LUMEN	EFFICACY	LUMEN	EFFICACY	LUMEN	EFFICACY	LUMEN	EFFICACY	LUMEN	EFFICACY	LUMEN	EFFICACY	LUMEN	EFFICACY	LUMEN	EFFICACY	LUMEN
150	139	20,850	155	23,250	142	21,300	136	20,400	152	22,800	138	20,700	133	19,950	150	22,500	137	20,550
120	142	17,040	158	18,960	145	17,400	139	16,680	155	18,600	141	16,920	136	16,320	153	18,360	140	16,800
100	145	14,500	161	16,100	148	14,800	142	14,200	158	15,800	144	14,400	139	13,900	156	15,600	143	14,300
PHOTOMETRIC	CRI						>80											
	COLOR CONSISTENCY						<7 SDCM											
	BUG						B4-U0-G5											
	DISTRIBUTION PATTERN						7H6V/6H6V/5H5V											
	BEAM ANGLE (10%) (TOLERANCE: ±15%)						135°/125°/120°/120°/90°/90° DEGREE											
ELECTRICAL	INPUT VOLTAGE						120-277VAC											
	FREQUENCY						50/60Hz											
	POWER FACTOR (TOLERANCE: -3%)						>0.9											
	THD (TOLERANCE: +5%)						<20%											
	FLICKER PERCENT						<5%											
	DRIVER BRAND						SOSEN											
	DRIVER MODEL						SS-160NH-E260BHBP											
	SURGE PROTECTION						DRIVER (L/N-PE: 6kV, L-N: 6kV), FIXTURE WITH AN EXTRA 10KV SURGE PROTECTOR											
	DIMMING						0-10V											
	IP RATING						IP-65											
MATERIALS	CHIP						SMD2835											
	LED QTY						158*2											
	HOUSING						DIE CAST ALUMINUM											
TEMPERATURE	OPERATING TEMPERATURE						-40°F TO 122°F											
	OPERATING HUMIDITY						20% - 90% RH											

ITEM No.  
**LR41378**

DESCRIPTION  
LEDXFL300/3CCT/3WO/3BA/UNV/D/PC/SLF/BZ

POWER  
200W  
240W  
300W

BEAM SPREAD SELECTABLE  
135°\*125°  
110°\*110°  
95°\*95°

DC  
PHOTOCELL  
SENSOR

10KV  
SURGE  
PROTECTOR

DLC  
LISTED  
PREMIUM

UL  
CERTIFIED

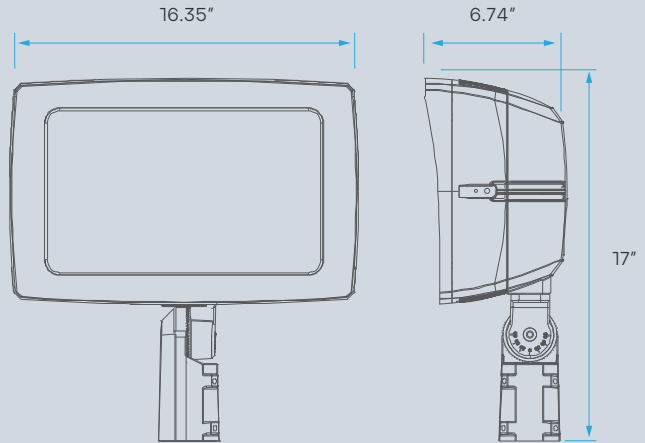


**300W**

200W | 240W | 300W

SLIPFITTER MOUNT

\*INCLUDED



	5H5V						6H6V						7H6V					
	3000K		4000K		5000K		3000K		4000K		5000K		3000K		4000K		5000K	
INPUT POWER	EFFICACY	LUMEN	EFFICACY	LUMEN	EFFICACY	LUMEN	EFFICACY	LUMEN	EFFICACY	LUMEN	EFFICACY	LUMEN	EFFICACY	LUMEN	EFFICACY	LUMEN	EFFICACY	LUMEN
300	140	42,000	155	46,500	146	43,800	141	42,300	155	46,500	145	43,500	137	41,100	154	46,200	141	42,300
240	143	34,320	158	37,920	149	35,760	144	34,560	158	37,920	148	35,520	140	33,600	157	37,680	144	34,560
200	146	29,200	161	32,200	152	30,400	147	29,400	161	32,200	151	30,200	143	28,600	160	32,000	147	29,400
PHOTOMETRIC	CRI						>80											
	COLOR CONSISTENCY						<7 SDCM											
	BUG						B4-U0-G5											
	DISTRIBUTION PATTERN						7H6V/6H6V/5H5V											
	BEAM ANGLE (10%) (TOLERANCE: ±15%)						135°*125°/110°*110°/95°*95° DEGREE											
ELECTRICAL	INPUT VOLTAGE						120-277VAC											
	FREQUENCY						50/60Hz											
	POWER FACTOR (TOLERANCE: -3%)						>0.9											
	THD (TOLERANCE: +5%)						<20%											
	FLICKER PERCENT						<5%											
	DRIVER BRAND						SOSEN											
	DRIVER MODEL						SS-320NH-E260BHBP											
	SURGE PROTECTION						DRIVER (L/N-PE: 6kV, L-N: 6kV), FIXTURE WITH AN EXTRA 10KV SURGE PROTECTOR											
	DIMMING						0-10V											
	IP RATING						IP-65											
MATERIALS	CHIP						SMD2835											
	LED QTY						336*2											
	HOUSING						DIE CAST ALUMINUM											
TEMPERATURE	OPERATING TEMPERATURE						-40°F TO 122°F											
	OPERATING HUMIDITY						20% - 90% RH											