

## 2X2, 2X4 LED CENTER BASKET TROFFER - 5CCT & 5WATTAGE SELECTABLE LR25311, LR25312

### SAFETY PRECAUTIONS

#### IMPORTANT

READ CAREFULLY BEFORE INSTALLING THE FIXTURE. RETAIN FOR FUTURE REFERENCE.

#### GENERAL

- Upon receipt of the fixture, thoroughly inspect for any freight damage which should be brought to the attention of the delivery carrier.
  - Turn off electrical power, at fuse or, circuit breaker box before wiring fixture to the power supply.
  - Turn off the power, when you perform any maintenance.
  - Verify that supply voltage is correct by comparing it with the luminaire label information.
  - All wiring connection should be capped with UL approved wire connectors.
  - Avoid direct eye exposure to the light source while it is on.
  - Account for, small parts and destroy packing material, as these may be hazardous to children.
- Risk of burn. Disconnect power and allow fixture to cool before handling it.

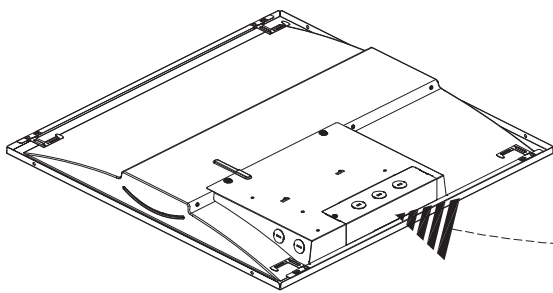
#### TROUBLE SHOOTING CHECKLIST

- Check your power source.
- Check electrical connections.

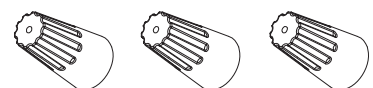
#### WARNING!

- THIS PRODUCT MUST BE INSTALLED IN ACCORDANCE WITH THE APPLICABLE INSTALLATION CODES BY A PERSON FAMILIAR WITH THE CONSTRUCTION AND OPERATION OF THE PRODUCT AND THE HAZARDS INVOLVED. THIS PRODUCT MUST BE WIRED IN ACCORDANCE WITH THE NATIONAL ELECTRIC CODE AND ALL APPLICABLE LOCAL CODES.
- TO PREVENT PERSONAL INJURY PRODUCT DAMAGE ONLY LICENSED ELECTRICIANS SHOULD PROVIDE ALL INSTALLATION SERVICES.
- TO AVOID ELECTRIC SHOCK OR COMPONENT DAMAGE DISCONNECT POWER BEFORE ATTEMPTING INSTALLATION OR SERVICING.
- USE CAUTION WHEN HANDLING THIS PRODUCT DURING OR AFTER OPERATION AS IT MAY BECOME HOT AND CAUSE BURNS, DISCONNECT PRODUCT AND ALLOW COOLING PRIOR TO SERVICING.
- ANY ALTERATION OR MODIFICATION OF THIS PRODUCT IS EXPRESSLY FORBIDDEN AS IT MAY CAUSE SERIOUS PERSONAL INJURY, DEATH, PROPERTY DAMAGE AND/OR PRODUCT MALFUNCTION.
- TO PREVENT PRODUCT MALFUNCTION AND/OR ELECTRICAL SHOCK THIS PRODUCT MUST BE PROPERLY GROUNDED,
- THIS LUMINAIRE IS DESIGNED TO OPERATE IN AMBIENT TEMPERATURES RANGING FROM -4°F TO +104°F. (-20°C TO +45°C)
- THIS LUMINAIRE IS DESIGNED TO OPERATE IN DRY OR DAMP LOCATIONS.
- TO PREVENT WIRING DAMAGE OR ABRASION, DO NOT EXPOSE WIRING TO EDGES OF SHEET METAL OR OTHER SHARP OBJECTS.

#### ACCESSORY



The accessories are inside the power compartment



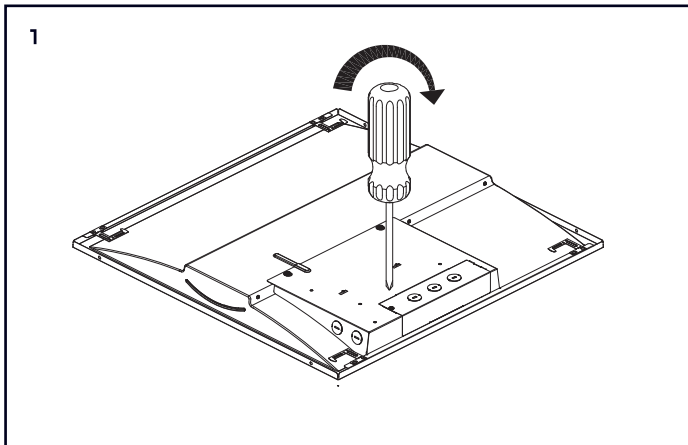
Three (3) Terminals



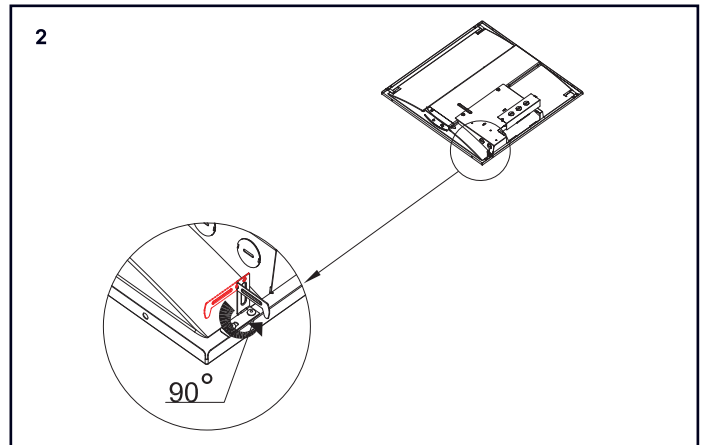
Two (2) Terminals

PS: Sensor model is not available

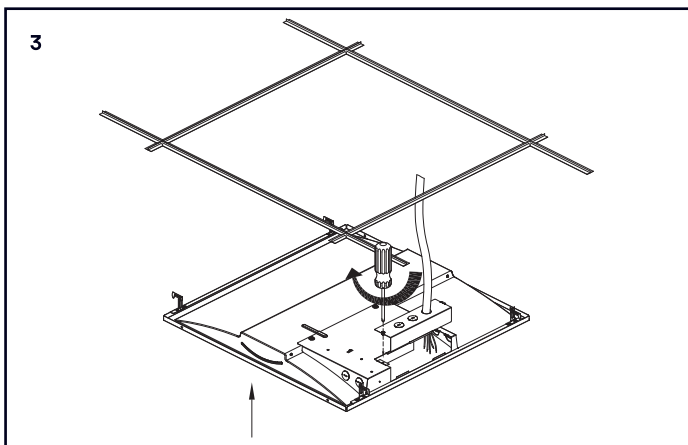
## INSTALLATION INSTRUCTIONS



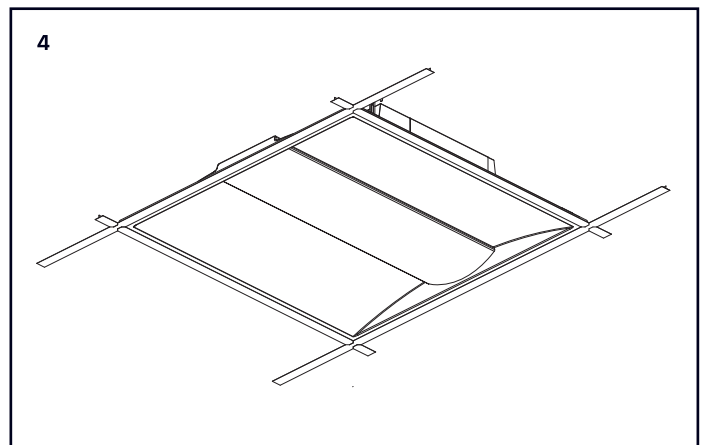
1. Remove the driver cover with a screwdriver.



2. Fold out the earthquake hook.



3. Connect AC wires correspondingly, then connect dimming wires: DIM+ (Purple) and DIM- (Pink). Install the driver cover with a screwdriver.



4. Install the light fixture to the ceiling.

## WIRING DIAGRAM

1. Connect wiring as shown in Wiring Diagram.  
2. Cap off dimming wires if not used.

