

4", 6", 8", 10" CCT & WATTAGE SELECTABLE COMMERCIAL DOWNLIGHT LR23975, LR23976, LR23977, LR23978

SAFETY PRECAUTIONS: FOR SAFETY, READ AND UNDERSTAND INSTRUCTIONS COMPLETELY BEFORE STARTING INSTALLATION. ELECTRICITY SHOULD BE TURNED OFF AT THE FUSE OR THE CIRCUIT BREAKER BOX BEFORE INSTALLING THE FIXTURE. ALL ELECTRICAL CONNECTIONS MUST BE IN ACCORDANCE WITH N.E.C. OR YOUR LOCAL CODE.

DANGER - RISK OF SHOCK - DISCONNECT POWER BEFORE INSTALLATION

DANGER - RISQUE DE CHOC - COUPER L'ALIMENTATION AVANT L'INSTALLATION

CAUTION:
DISCONNECT POWER BEFORE CONNECTING THE FIXTURE.
FAILURE TO DO SO MAY PERMANENTLY DAMAGE THE LEDS.

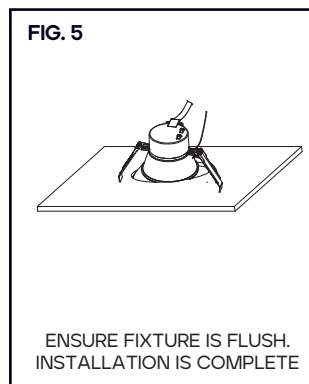
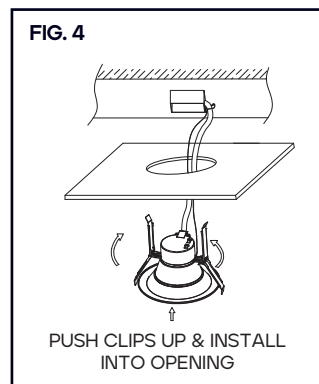
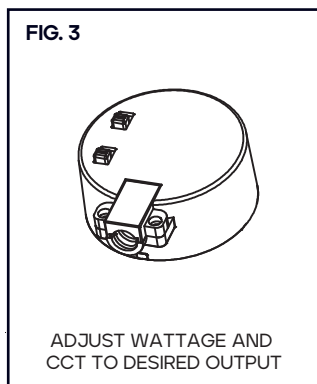
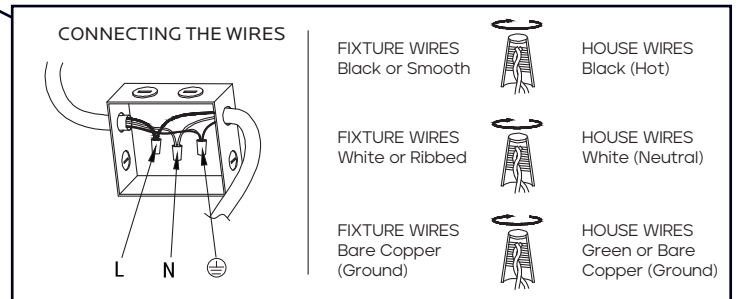
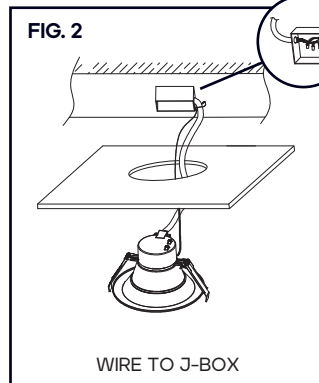
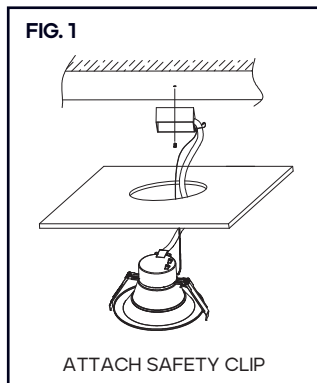
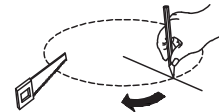
WARNING: For wet location installation, after fixture is installed on ceiling, put silicone glue to seal the gap between fixture and ceiling.

NEW CONSTRUCTION INSTALLATION

1. Make sure the **POWER IS TURNED OFF** at the source to the recessed housing in which you are installing the product.
2. Fix the ceiling or other fixed parts of the junction box and hook the safety cord to the junction box or other place (FIG. 1)
3. Insert lamp conduit into the J-Box and wire to power source (black to hot, white to neutral, green to ground) (FIG. 2)
4. Adjust the lamp power to desired lumen output by sliding the selector switch (FIG. 3)
5. Squeeze the two housing clips so they are in an upright position and insert lamp into housing (FIG. 4)
6. Once lamp is inside the housing, release the housing clips and continue pushing lamp into housing until securely fixed in the ceiling. (FIG. 5)

NOTE: The junction box is fixed on the ceiling bracket.

USE THE TEMPLATE



CUTOUT SIZE

LR23975

CUTOUT: Ø 4.3"
(110 MM)

LR23976

CUTOUT: Ø 6.3"
(160 MM)

LR23977

CUTOUT: Ø 7.87"
(200 MM)

LR23978

CUTOUT: Ø 9.64"
(245 MM)