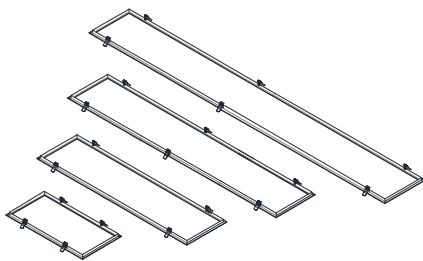


## 6" BACKLIT PANEL FLANGE KIT L24286, LR24287, L24288, LR24289

### IMPORTANT

- Read instructions carefully before installation and keep these instructions for future reference.
- **RISK OF ELECTRICAL SHOCK.** TURN MAIN SWITCH AND CIRCUIT BREAKER TO "OFF" POSITION BEFORE SERVICING OR RELAMPING.
- All electrical connections must be in accordance with local codes, ordinances and National Electrical Code. If you are unfamiliar with proper electrical wiring or connections, secure the services of a qualified licensed electrician.
- Proper grounding of the fixture is essential for protection from shock, correct operation of the electronic driver and the elimination of electrical interference.
- **WARNING.** If any special control devices are used with this fixture, follow the lighting control manufacturer instructions carefully to assure full compliance with N.E.C. requirements. If there are any questions, contact a Qualified Electrical Contractor.

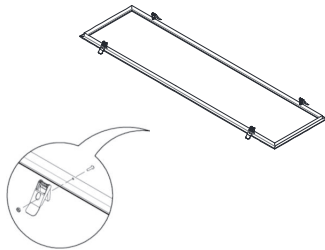


#### Flange kit

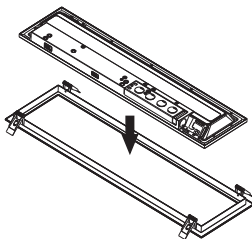
- 2FT
- 4FT
- 6FT
- 8FT

### Installation Steps:

#### 1. Screw and fix the springs

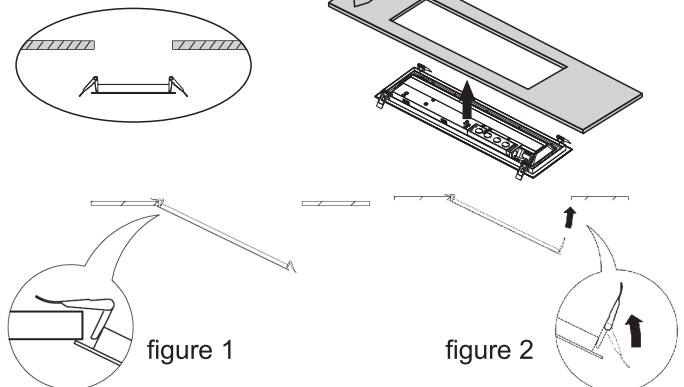


#### 2. Put the fixture in the recessed kit

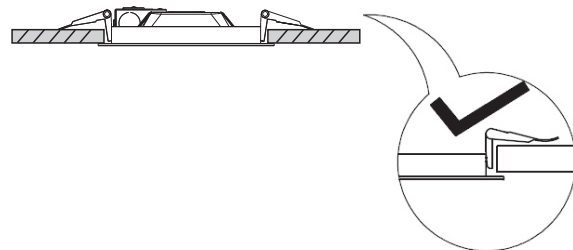


3. Open hole in the ceiling, the cut-out size as shown in the table. Insert the kit with fixture into the ceiling. Follow the wiring instruction of fixture to connect it to AC power. And then, insert one side first (figure 1), and then the other side (figure 2)

Item	Cut out
2'	6.81" x 24.52"
4'	6.81" x 48.50"
6'	6.81" x 72.52"
8'	6.81" x 96.50"



#### 4. Finish the installation, power on and enjoy the light.



Note: All statements, technical information, and recommendations contained herein are based on information the company believes to be reliable. The accuracy or completeness thereof is not guaranteed. The purchaser should determine the suitability of the product for its intended use and assumes all risk and liability whatsoever in connection herewith.