



viewpoint

FAMILY PRODUCT SERIES

*Value Lighting with a
Fresh Point of View*



A *Fresh* Point of View

30'

25'

20'

15'

10'

5'



VAM
21,000 – 42,000 Lumens



VAS
14,000 – 21,000 Lumens

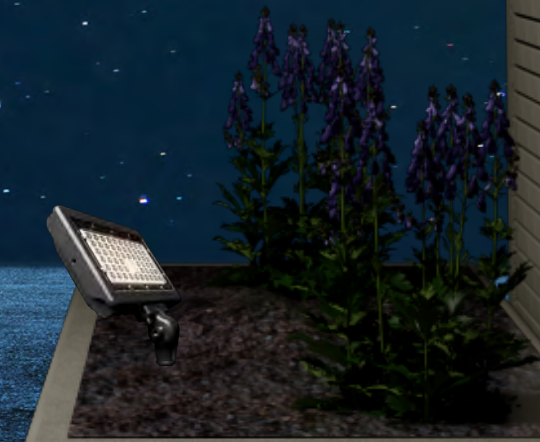
AREA

WALL MOUNT



VWM
3,000 – 14,000 Lumens

FLOOD



VFS
5,000 – 7,000 Lumens

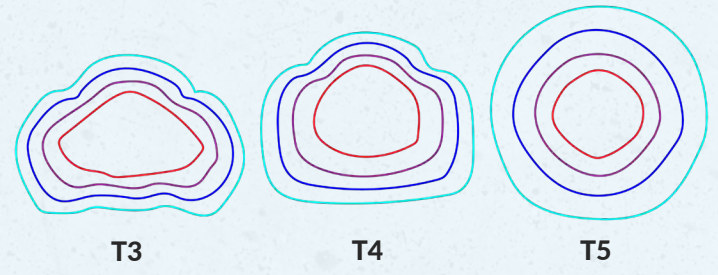
viewpoint AREA LIGHTS

Viewpoint Area Lights low-cost design allows for high energy savings while providing an unbeatable ROI. While its designed to be in-stock and shipped quickly, you won't lose out on configurability with a variety of lumen, optic, CCT and voltage options, as well as two mounting options with full-range adjustability. Delivering up to 165 LPW of targeted illumination, Viewpoint provides high performance distributions that fulfill most site requirements, replacing 150W-1000W HID luminaires.



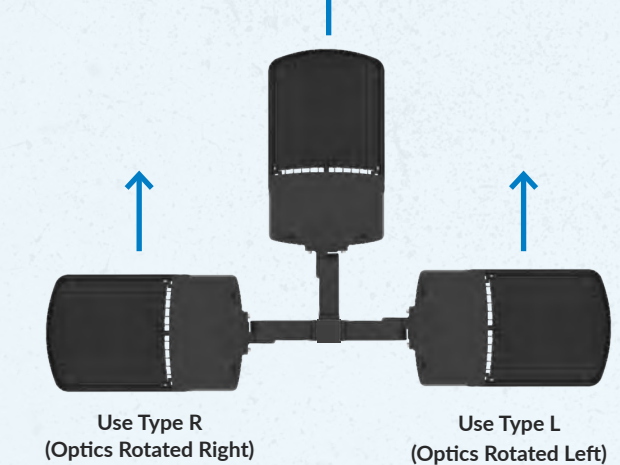
DISTRIBUTION PATTERNS

The Viewpoint Area Light boasts a wide variety of high-performance photometric distributions, providing superior site illumination in a variety of outdoor applications



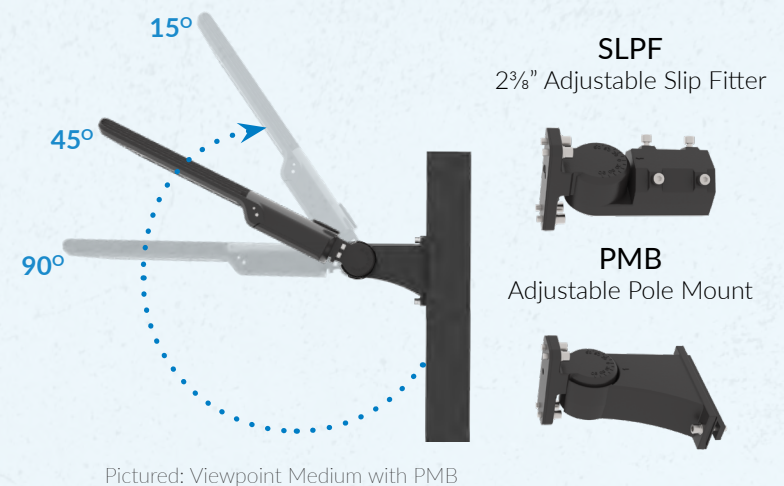
CUSTOMIZABLE, ROTATABLE OPTICS

The highly configurable, rotatable optics on Viewpoint accommodate endless designs and create high uniformity across the site.



ADJUSTABLE MOUNTING ACCESSORIES

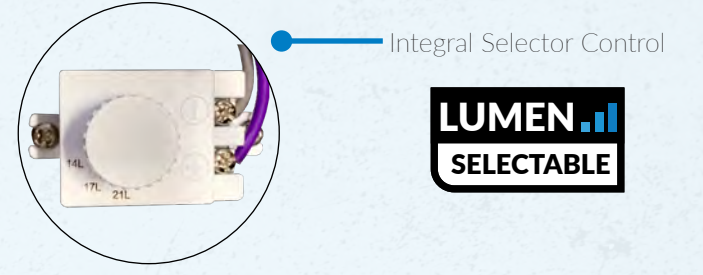
Viewpoint comes standard with a fully adjustable universal round/square pole mount bracket or slipfitter.



Pictured: Viewpoint Medium with PMB

LUMEN SELECTABILITY MADE EASY

The Integral Selector Control makes lumen selectability easy with three different lumen packages making up nine total possible lumen outputs.

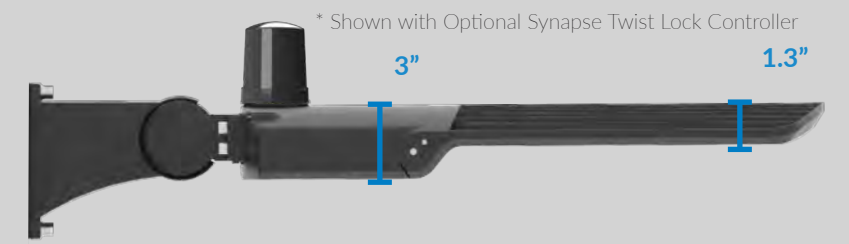
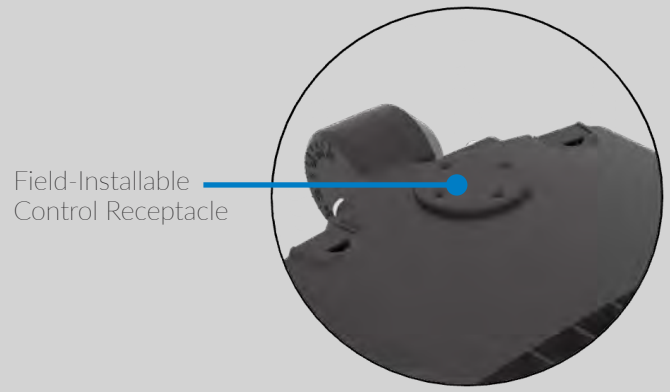


INDUSTRY LOW EPA WIND RATING

VAS less than .5
VAM less than .7

INNOVATIVE CONTROLS

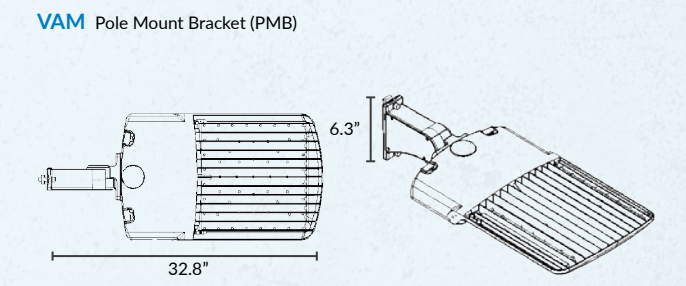
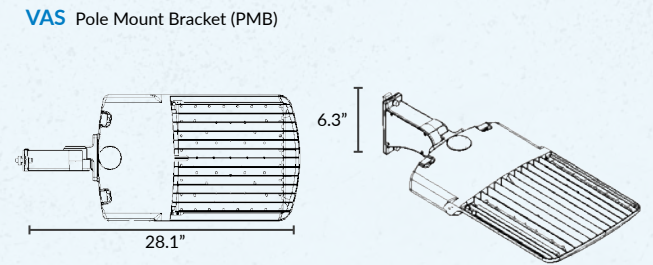
ILP partners with industry-leading control companies that provide highly-scalable and innovative lighting solutions. By integrating advanced software applications, sensors, and connected devices directly into our performance luminaires, you are able to control both indoor and outdoor spaces while reducing energy costs, improving occupancy comfort and perceived safety, and more.



SYNAPSE

Utilizing a robust 2.4 GHz self-healing mesh network, Synapse provides flexibility and scalability making it a perfect outdoor solution for both new construction and retrofit projects. The easy-to-use web application is accessible on any device with an internet connection and allows for complete customization of the system and its features.

LINE DRAWINGS



SUITABLE APPLICATIONS

- Parking Lots
- Car Dealerships
- Public and Municipal Parks
- Roadways



viewpoint FLOOD LIGHTS

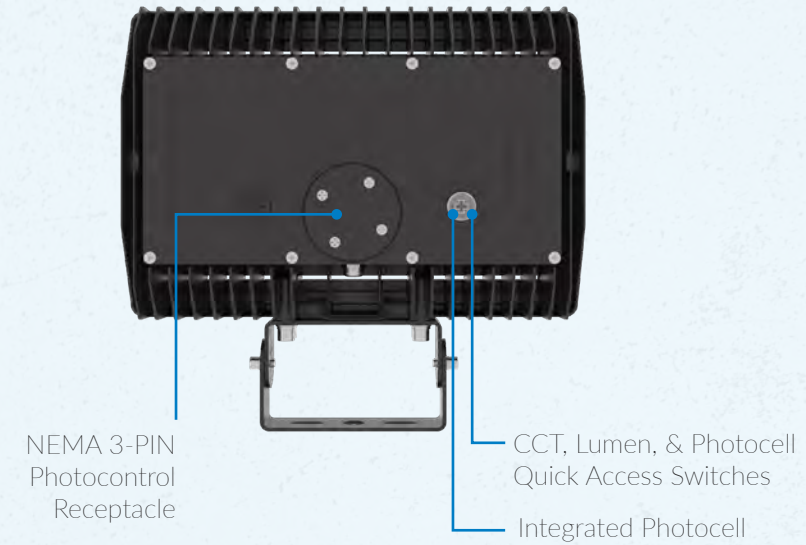
Get flooded with energy savings -
up to 85% savings compared to HID

With its sleek, low-profile design, the Viewpoint Flood Series discretely enhances and blends into site surroundings, while providing industry-leading features and performance. Upgrading your HID lights to the Viewpoint Flood Series allows for up to 85% energy savings, making it the clear choice for budget-friendly flood lights that meet demanding quality standards.

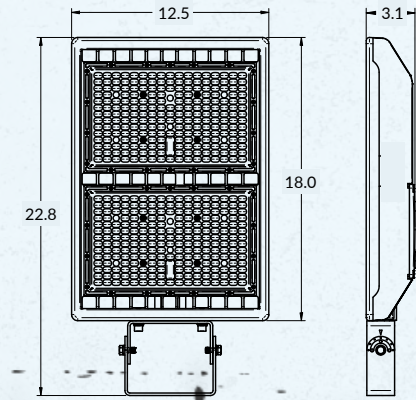
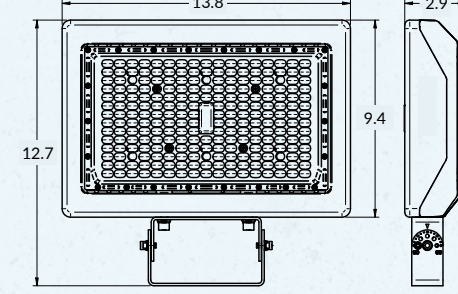
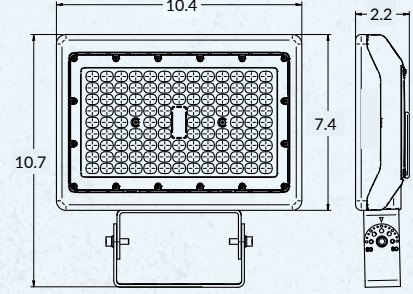
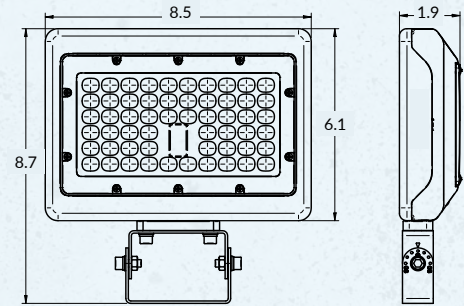
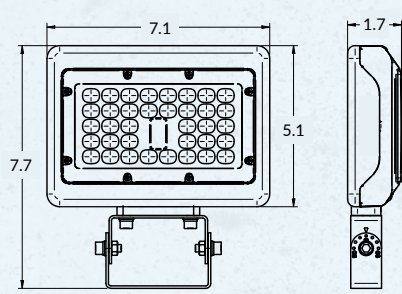
KEY FEATURES

- CCT Selectable in 3000K, 4000K, & 5000K (Up to 14L Lumen Package)
- 4-step Field Selectable lumen output allows every unit to dim down to 70% the initial lumen output
- Integrated 120-277V Photocell with cutoff switch
- 6kV Surge Protection (VFC 2.5kV)
- Wide range of lumen packages from 2,000 to 40,000 lms
- Up to 159 LM/W for exceptional energy savings
- Wide NEMA 7H6V and Medium NEMA 5Hx4V Distributions
- High ambient temp range from -40° to +50°C

ADDITIONAL FEATURES



MOUNTING OPTIONS



VFC
2,000
Lumens



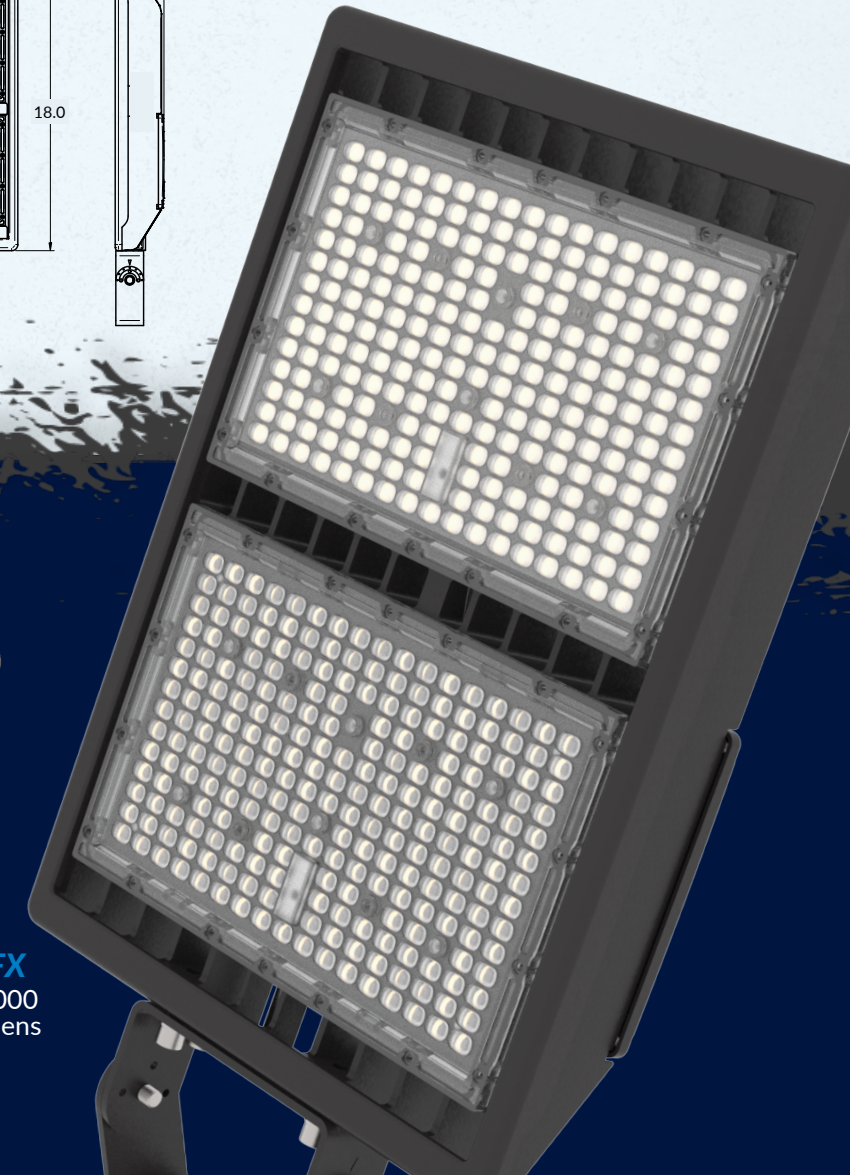
VFS
5,000-7,000
Lumens



VFM
10,000-14,000
Lumens



VFL
20,000-30,000
Lumens



VFX
40,000
Lumens

viewpoint WALL PACKS

The Viewpoint Wall Pack offers a minimalistic and clean aesthetic to put the finishing touches on the Viewpoint Product Family. With its slim wedge design, the Viewpoint Wall Pack packs a punch of illumination while remaining discrete and cost-effective. Lumen and CCT selectable, the Viewpoint Wall Pack luminaire offers a versatile, attractive and economical solution all while belonging to one cohesive product family.

PIR OCCUPANCY, PHOTOCELL, & BI-LEVEL DIMMING SENSORS AVAILABLE

Optional Bluetooth Programmable PIR sensor allows for continuous dimming, motion, and/or daylight harvesting, fully adjustable high/low dimmed light levels and adjustable time/cutoff delays.



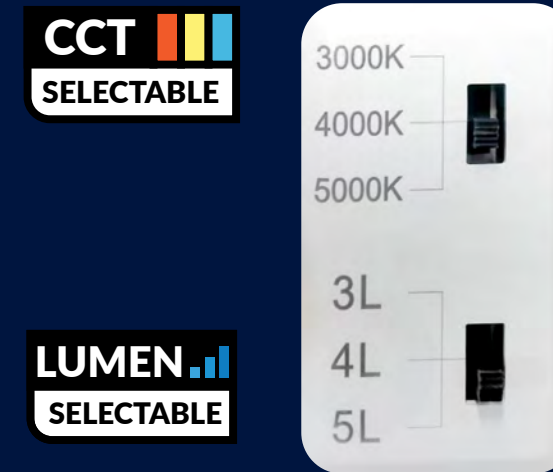
KEY FEATURES

- Architectural Wedge die-cast aluminum housing
- Bronze polyester powder coat finish (std.)
- Custom and factory select colors available
- Full Cutoff Type III & Type IV Distributions
- 3,000 - 14,000 Delivered Lumens with up to 147 LPW
- 3000K, 4000K & 5000K CCT Selectable via Integral selector
- Lumen Selectable - 3 lumen levels per SKU
- 120-277V Universal Voltage or 347-480V High Voltage
- 0-10V Dimmable Driver (std.)
- 6kV Surge protection
- >70 Color Rendering Index (CRI)
- Calculated L70 >100,000 hrs @ 25°C per TM-21-11
- Operating Ambient Temperature: -40°C to +40°C (-40°F to 104°F)
- Bluetooth Programmable PIR Occupancy, Photocell, & Bi-Level Dimming Sensors Available
- Three 1/2" coin plugs on sides for conduit or electronic photocell
- Battery backup & cold weather battery options available
- IP65 Rated Luminaire
- IDA Dark Sky Compliant; 3000K is IDA Listed
- 5 Year Warranty; 10 Year Optional Warranty
- ETL Listed for Wet Locations

A Complete Point of View

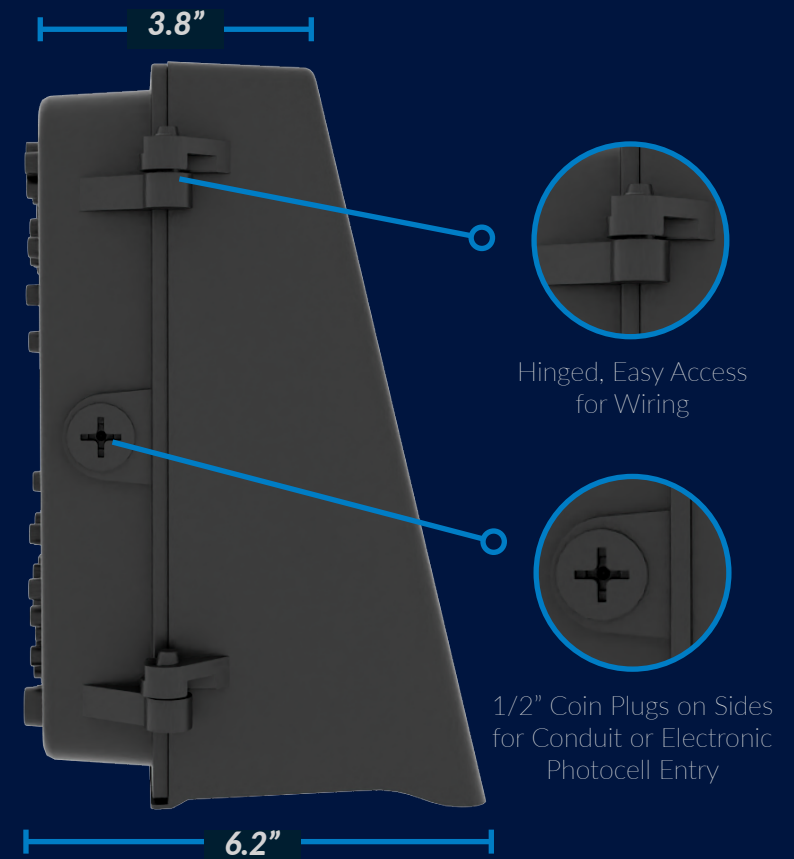
LUMEN & CCT SELECTABLE

The Viewpoint Wall Pack remains sleek yet versatile with the integral CCT and Lumen selectability. Ranging from 3,000 to 14,000 Lumens and CCTs from 3000K to 5000K, the Viewpoint Wall Pack is suited to fit any project needs.



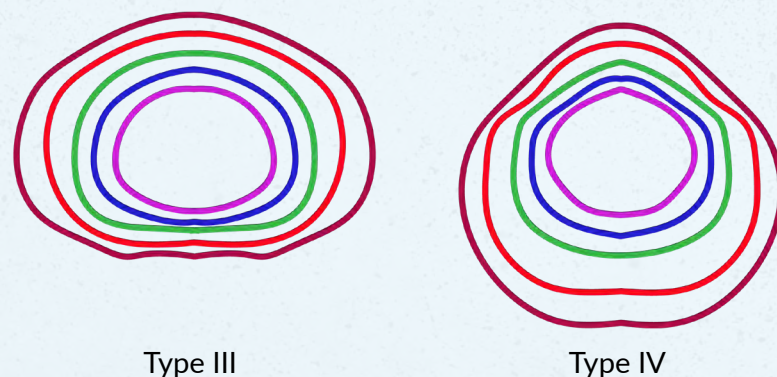
ULTRA SLIM, YET EFFICIENT DESIGN

Although only 6.2 inches in relief from the wall, the Viewpoint Wall Packs perform powerfully with up to 14,000 delivered lumens at up to 147 LPW. This compact design is furthered by the hinged access and 1/2" coin plugs on all sides for easily accessible wiring of the fixture.



FULL CUTOFF TYPE III & IV DISTRIBUTIONS

Viewpoint Wall Pack offers two Full Cutoff Distribution types that cater to the space and complete your project.





viewpoint

FAMILY PRODUCT SERIES



ilp-inc.com