



# KT-LED70HID-ADJ-EX39-8XX-D

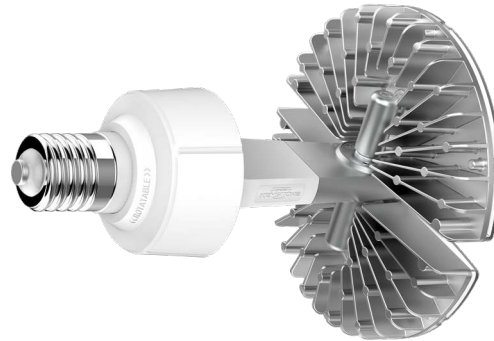
## MULTI-ANGLE ADJUSTABLE LAMP

### DESCRIPTION

Multi-Angle Adjustable Lamp | Smart Port Sensor Compatible

### APPLICATION

Used for low bay/high bay, post top, and shoebox applications



### PRODUCT FEATURES

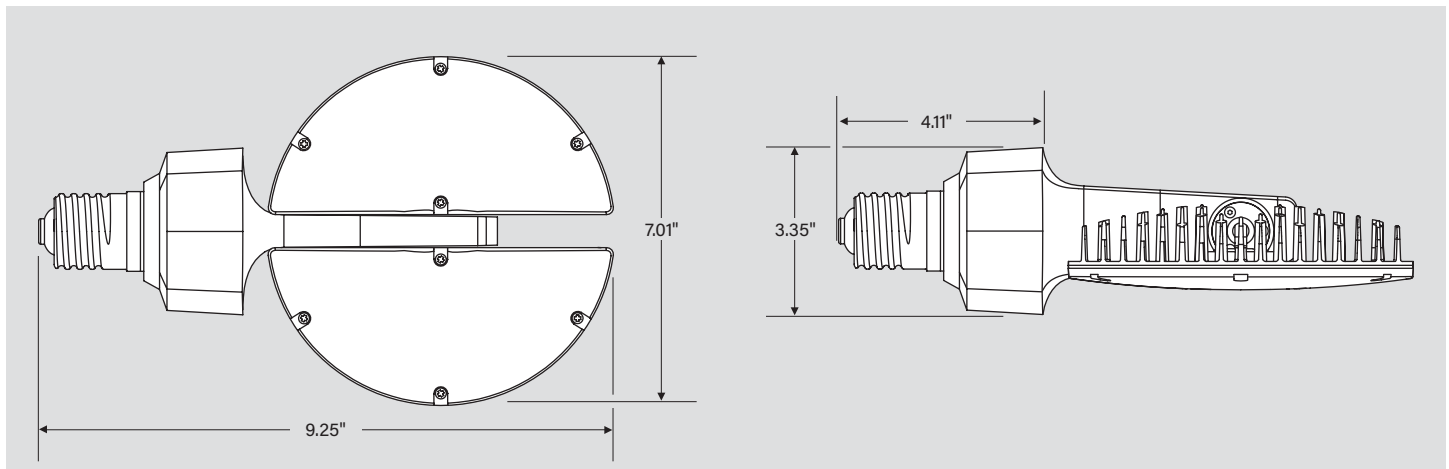
- Replacement for 250W metal halide lamp
- 50,000+ hour lifetime
- Environmentally friendly: No mercury used
- Instant startup
- UL Listed
- Operating Temperature: -30°C/-22°F to 45°C/113°F
- Integral driver, eliminates the need for external driver or ballast; includes 4kV surge protection
- Suitable for use in enclosed fixtures
- Do not use with standard dimmers. Not compatible with phase dimmers. Dimming functions with sensors only

### PERFORMANCE SPECIFICATIONS

| Catalog Number             | Wattage | CCT   | Lumen Output* | Efficacy | Input Voltage | Base | DLC | CRI  | Metal Halide Equivalent |
|----------------------------|---------|-------|---------------|----------|---------------|------|-----|------|-------------------------|
| KT-LED70HID-ADJ-EX39-830-D | 70W     | 3000K | 9,660         | 138 lm/W | 120-277V      | EX39 | Yes | ≥ 80 | 250W MH                 |
| KT-LED70HID-ADJ-EX39-840-D | 70W     | 4000K | 10,150        | 145 lm/W | 120-277V      | EX39 | Yes | ≥ 80 | 250W MH                 |
| KT-LED70HID-ADJ-EX39-850-D | 70W     | 5000K | 10,500        | 150 lm/W | 120-277V      | EX39 | Yes | ≥ 80 | 250W MH                 |

\* Based off of total lamp lumens

### PHYSICAL SPECIFICATIONS





# KT-LED70HID-ADJ-EX39-8XX-D

## MULTI-ANGLE ADJUSTABLE LAMP

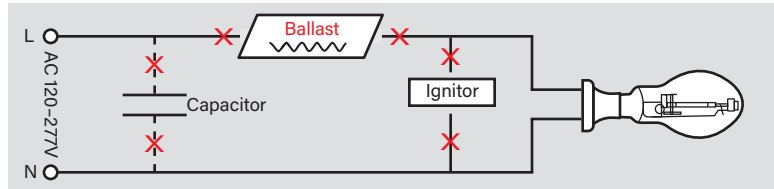
### WIRING INSTRUCTIONS

#### STEP 1

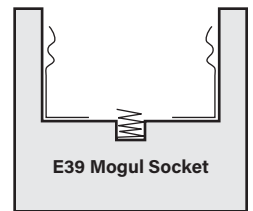
Turn off the power before installation.

#### STEP 2

Remove the old ballast, capacitor, and ignitor, if applicable.

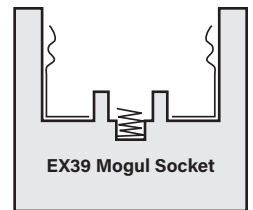
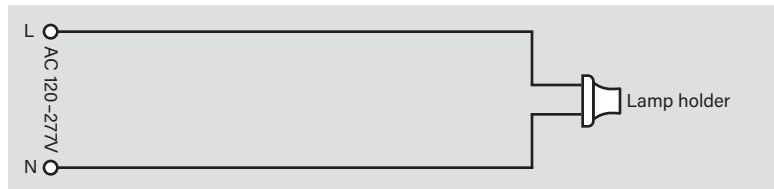


**EX39-based lamps** will work in *both* **E39** and **EX39** sockets.



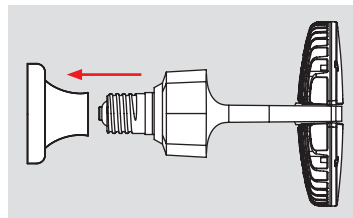
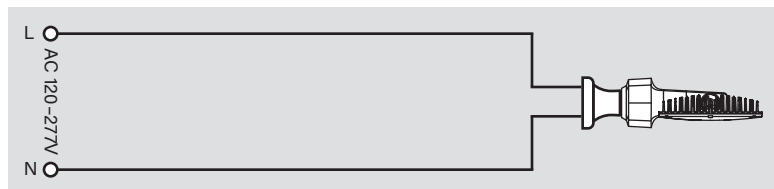
#### STEP 3

Make sure AC wires connect to EX39 socket directly.



#### STEP 4

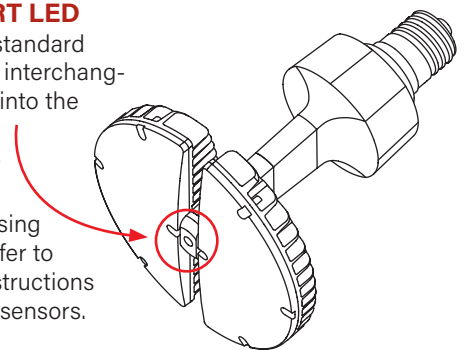
Screw the LED lamp into the corresponding socket.



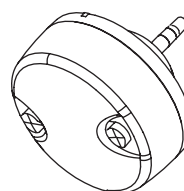
#### SMART PORT LED

Operate as a standard lamp or insert interchangeable modules into the Smart Port to enhance lamp functionality.

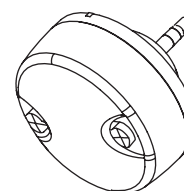
*Note:* When using Smart Port, refer to installation instructions included with sensors.



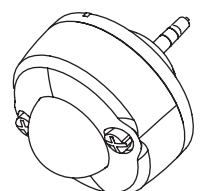
#### PHOTOCELL



#### MICROWAVE



#### PIR



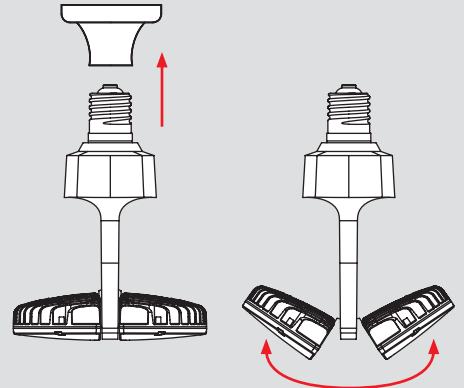
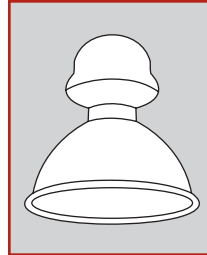


# KT-LED70HID-ADJ-EX39-8XX-D

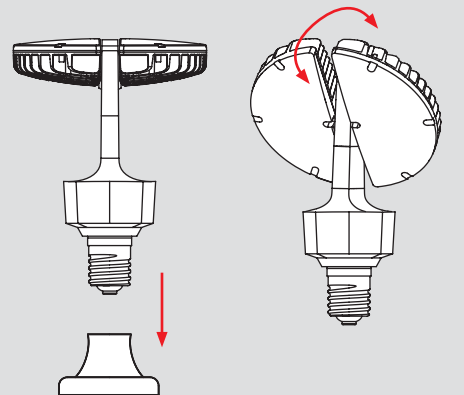
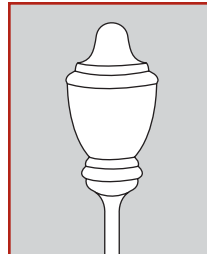
## MULTI-ANGLE ADJUSTABLE LAMP

### APPLICATIONS

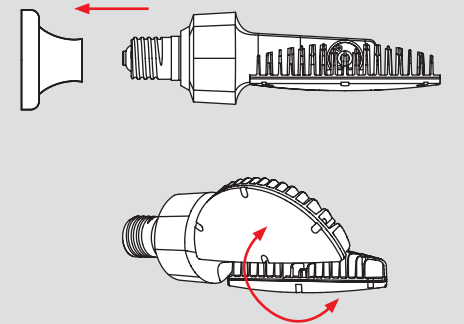
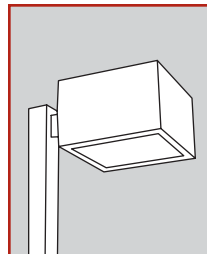
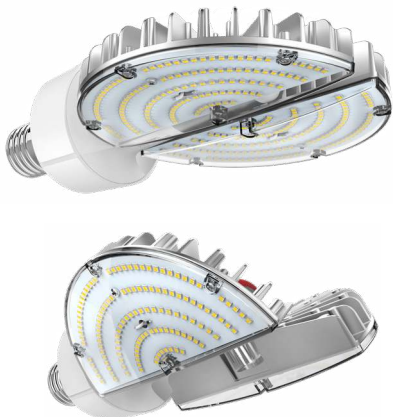
#### LOW BAY/HIGH BAY



#### POST TOP



#### SHOEBOX



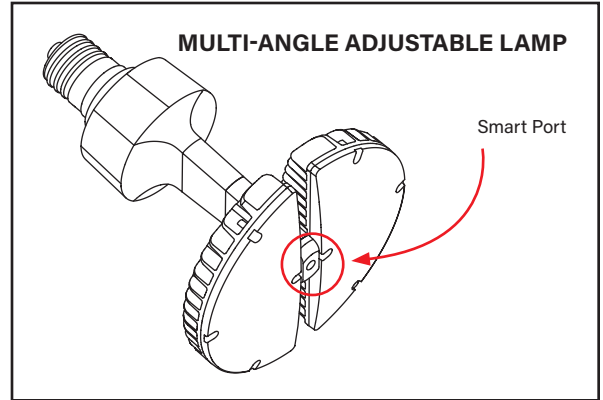


# KT-LED70HID-ADJ-EX39-8XX-D MULTI-ANGLE ADJUSTABLE LAMP

## ADAPTER



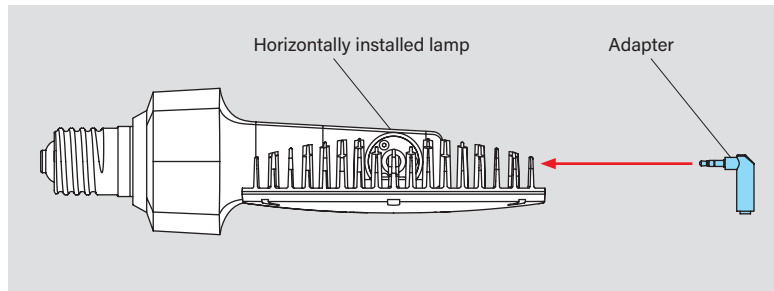
Adapter included with Multi-Angle Adjustable Lamp.  
For use with Smart Port LED Sensors when lamp is installed in a horizontal application.



## Installation Instructions

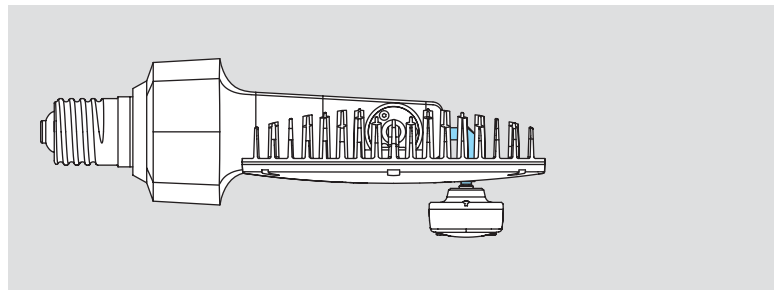
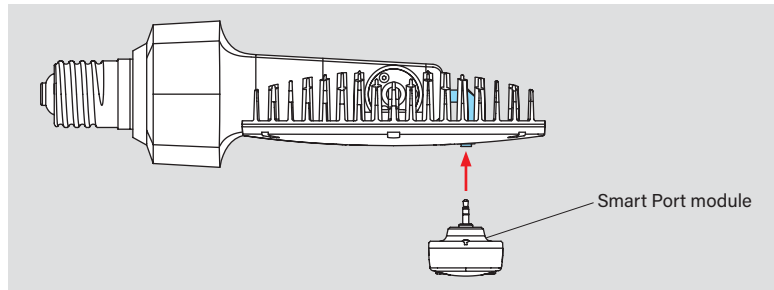
### STEP 1

Insert adapter into Smart Port.



### STEP 2

Insert Smart Port module into adapter.





# KT-LED70HID-ADJ-EX39-8XX-D

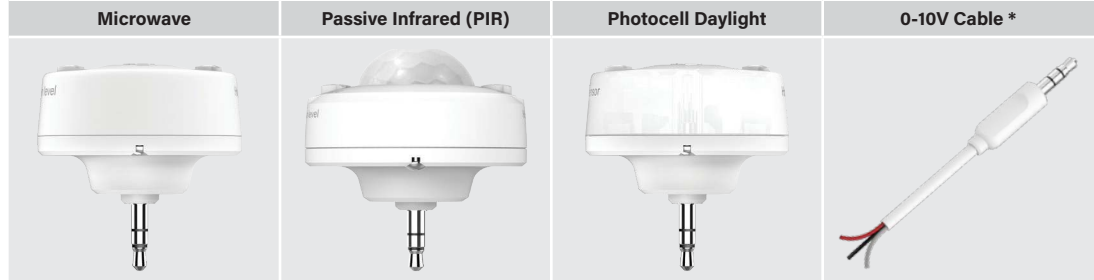
## MULTI-ANGLE ADJUSTABLE LAMP

### SMART PORT LED



On the top of the lamp is a low-voltage AUX port for lamp level sensor controls.

### SMART PORT LED AUX SENSORS



\* For use with continuous dimming applications.

### ORDERING INFORMATION

| Catalog Number             | Pack Quantity | UPC          | Easy Code | DLC PRODUCT ID |
|----------------------------|---------------|--------------|-----------|----------------|
| KT-LED70HID-ADJ-EX39-830-D | 8             | 843654127170 | UVL-68    | P4V1G1E8       |
| KT-LED70HID-ADJ-EX39-840-D | 8             | 843654127187 | PVE-18    | PL03Z1M6       |
| KT-LED70HID-ADJ-EX39-850-D | 8             | 843654127194 | XYD-18    | P3OL5CG7       |

### CATALOG NUMBER BREAKDOWN

# KT-LED70HID-ADJ-EX39-8XX-D

1
2
3
4
5
6
7
8
9

- 1** Keystone Technologies
- 2** LED Lamp
- 3** Wattage
- 4** Lamp Type
- 5** Adjustable Angle
- 6** Base Type
- 7** 800 Series
- 8** Color Temperature
- 9** Direct Drive