



LED LINEAR FIXTURE ARCHITECTURAL LINKABLE LINEAR 3 CCT/3 WATTAGE/ UP-DOWN SELECTABLE 24", 36", 48", 72", 96" - BLACK & WHITE FINISH

↑ 30/70 ↓ UP/DOWN
↑ 10/90 ↓ LIGHT
100% ↓ DISTRIBUTION
OPTIONS

3 CCT SELECT

3 WATTAGE SELECT



WHITE FINISH

BLACK FINISH

24"
LR42605
WHITE FINISH
LR42606
BLACK FINISH

36"
LR42648
WHITE FINISH
LR42649
BLACK FINISH

48"
LR42610
LR42610+EM*
LR42610+MS*
WHITE FINISH
LR42611
LR42611+EM*
LR42611+MS*
BLACK FINISH

72"
LR42612
LR42612+EM*
WHITE FINISH
LR42613
LR42613+EM*
BLACK FINISH

96"
LR42615
LR42615+EM*
LR42615+MS*
WHITE FINISH
LR42616
LR42616+EM*
LR42616+MS*
BLACK FINISH

INCLUDED IN BOX



STRAIGHT LINK BRACKET (1)



SUSPENSION KIT & CANOPY KIT BLACK/WHITE

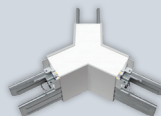


5' POWER FEED BLACK/WHITE



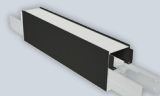
ARC CONNECTOR

LR42680 LR42681
WHITE FINISH BLACK FINISH



LINKABLE Y-CONNECTOR

LR42650 LR42651
BLACK FINISH WHITE FINISH



LINKABLE 4", 6", 9", 12" CONNECTOR

LR42617 LR42618
LR42600 LR42601
LR42602 LR42603
LR42607 LR42608
WHITE FINISH BLACK FINISH

MULTIPLE CONNECTOR & MOUNTING OPTIONS AVAILABLE



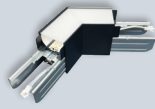
BI-LEVEL MS CONNECTOR

LR42672 LR42673
WHITE FINISH BLACK FINISH



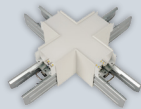
LINKABLE V60° CONNECTOR

LR42626 LR42627
WHITE FINISH BLACK FINISH



LINKABLE V120° CONNECTOR

LR42628 LR42629
WHITE FINISH BLACK FINISH



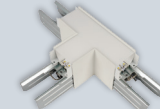
LINKABLE X-CONNECTOR

LR42620 LR42621
WHITE FINISH BLACK FINISH



LINKABLE L-CONNECTOR

LR42622 LR42623
WHITE FINISH BLACK FINISH



LINKABLE T-CONNECTOR

LR42624 LR42625
WHITE FINISH BLACK FINISH



COLOR SELECTABLE
3500K 4000K 5000K

WATTAGE SELECTABLE
3 OPTIONS

DIMMABLE
0-10V

MOTION SENSOR

EM READY

UP-DOWN LIGHT DISTRIBUTION

120-277V

DAMP LOCATION RATED

BEAM SPREAD 120°

5 YEAR WARRANTY

ELECTRICAL

		MODEL	DESCRIPTION	POWER	LUMEN	INPUT VOLTS	EFFICACY	LIFETIME	EMERGENCY TIME	MOTION SENSOR
24"	WHITE	LR42605	ARCHL24/3CCT/3WO/WT/UPDN	15	1725	120-277V	115	50,000		
				20	2300					
				25	2875					
	BLACK	LR42606	ARCHL24/3CCT/3WO/BK/UPDN	15	1725	120-277V	115	50,000		
				20	2300					
				25	2875					
36"	WHITE	LR42648	ARCHL36/3CCT/3WO/WT/UPDN	20	2500	120-277V	125	50,000		
				30	3750					
				40	5000					
	BLACK	LR42649	ARCHL36/3CCT/3WO/BK/UPDN	20	2500	120-277V	125	50,000		
				30	3750					
				40	5000					
48"	WHITE	LR42610	ARCHL48/3CCT/3WO/WT/UPDN	30	3540	120-277V	115	50,000		
				40	4600					
				50	5750					
		LR42610+EM	ARCHL48/3CCT/3WO/WT/UPDN+EM	30	3540	120-277V	115	50,000	90 MINS	
				40	4600					
				50	5750					
	LR42610+MS	ARCHL48/3CCT/3WO/WT/UPDN+MS	30	3540	120-277V	115	50,000		BI-LEVEL	
			40	4600						
			50	5750						
	BLACK	LR42611	ARCHL48/3CCT/3WO/BK/UPDN	30	3540	120-277V	115	50,000		
				40	4600					
				50	5750					
		LR42611+EM	ARCHL48/3CCT/3WO/BK/UPDN+EM	30	3540	120-277V	115	50,000	90 MINS	
				40	4600					
				50	5750					
LR42611+MS		ARCHL48/3CCT/3WO/BK/UPDN+MS	30	3540	120-277V	115	50,000		BI-LEVEL	
			40	4600						
			50	5750						
72"	WHITE	LR42612	ARCHL72/3CCT/3WO/WT/UPDN	36	4140	120-277V	115	50,000		
				45	5175					
				60	6900					
		LR42612+EM	ARCHL72/3CCT/3WO/WT/UPDN+EM	36	4140	120-277V	115	50,000	90 MINS	
				45	5175					
				60	6900					

ELECTRICAL

	MODEL	DESCRIPTION	POWER	LUMEN	INPUT VOLTS	EFFICACY	LIFETIME	EMERGENCY TIME	MOTION SENSOR	
72"	BLACK	ARCHL72/3CCT/3WO/BK/UPDN	36	4140	120-277V	115	50,000			
			45	5175						
			60	6900						
	LR42613+EM	ARCHL72/3CCT/3WO/BK/UPDN+EM	36	4140	120-277V	115	50,000	90 MINS		
			45	5175						
			60	6900						
96"	WHITE	ARCHL96/3CCT/3WO/WT/UPDN	50	5750	120-277V	115	50,000			
			64	7360						
			80	9200						
		LR42615+EM	ARCHL96/3CCT/3WO/WT/UPDN+EM	50	5750	120-277V	115	50,000	90 MINS	
				64	7360					
				80	9200					
	LR42615+MS	ARCHL96/3CCT/3WO/WT/UPDN+MS	50	5750	120-277V	115	50,000		Bi-LEVEL	
			64	7360						
			80	9200						
BLACK	LR42616	ARCHL96/3CCT/3WO/BK/UPDN	50	5750	120-277V	115	50,000			
			64	7360						
			80	9200						
	LR42616+EM	ARCHL96/3CCT/3WO/BK/UPDN+EM	50	5750	120-277V	115	50,000	90 MINS		
			64	7360						
			80	9200						
LR42616+MS	ARCHL96/3CCT/3WO/BK/UPDN+MS	50	5750	120-277V	115	50,000		Bi-LEVEL		
		64	7360							
		80	9200							

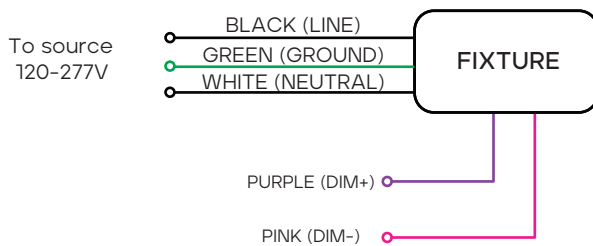
PHOTOMETRIC

MODEL	DESCRIPTION	COLOR (CCT)	TEMP	FLOOD	CRI	UL LISTED	DLC LISTED
LR42605	ARCHL24/3CCT/3WO/WT/UPDN	3500K/4000K/5000K	CCT SELECT	120°	80	YES	S-69P3BL
LR42606	ARCHL24/3CCT/3WO/BK/UPDN	3500K/4000K/5000K	CCT SELECT	120°	80	YES	S-69P3BL
LR42648	ARCHL36/3CCT/3WO/WT/UPDN	3500K/4000K/5000K	CCT SELECT	120°	80	YES	
LR42649	ARCHL36/3CCT/3WO/BK/UPDN	3500K/4000K/5000K	CCT SELECT	120°	80	YES	
LR42610	ARCHL48/3CCT/3WO/WT/UPDN	3500K/4000K/5000K	CCT SELECT	120°	80	YES	S-PRT06N
LR42610+EM	ARCHL48/3CCT/3WO/WT/UPDN+EM	3500K/4000K/5000K	CCT SELECT	120°	80	YES	S-PRT06N
LR42610+MS	ARCHL48/3CCT/3WO/WT/UPDN+MS	3500K/4000K/5000K	CCT SELECT	120°	80	YES	S-PRT06N
LR42611	ARCHL48/3CCT/3WO/BK/UPDN	3500K/4000K/5000K	CCT SELECT	120°	80	YES	S-PRT06N

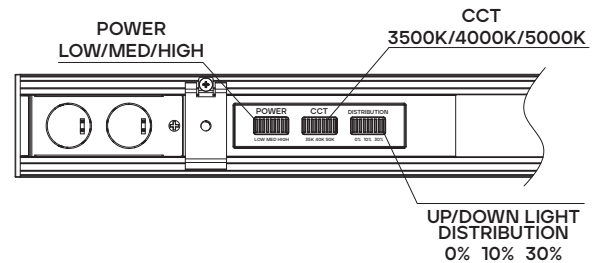
PHOTOMETRIC

MODEL	DESCRIPTION	COLOR (CCT)	TEMP	FLOOD	CRI	UL LISTED	DLC LISTED
LR42611+EM	ARCHL48/3CCT/3WO/BK/UPDN+EM	3500K/4000K/5000K	CCT SELECT	120°	80	YES	S-PRT06N
LR42611+MS	ARCHL48/3CCT/3WO/BK/UPDN+MS	3500K/4000K/5000K	CCT SELECT	120°	80	YES	S-PRT06N
LR42612	ARCHL72/3CCT/3WO/WT/UPDN	3500K/4000K/5000K	CCT SELECT	120°	80	YES	S-R966S5
LR42612+EM	ARCHL72/3CCT/3WO/WT/UPDN+EM	3500K/4000K/5000K	CCT SELECT	120°	80	YES	S-R966S5
LR42613	ARCHL72/3CCT/3WO/BK/UPDN	3500K/4000K/5000K	CCT SELECT	120°	80	YES	S-R966S5
LR42613+EM	ARCHL72/3CCT/3WO/BK/UPDN+EM	3500K/4000K/5000K	CCT SELECT	120°	80	YES	S-QXRDDK
LR42615	ARCHL96/3CCT/3WO/WT/UPDN	3500K/4000K/5000K	CCT SELECT	120°	80	YES	S-QXRDDK
LR42615+EM	ARCHL96/3CCT/3WO/WT/UPDN+EM	3500K/4000K/5000K	CCT SELECT	120°	80	YES	S-QXRDDK
LR42615+MS	ARCHL96/3CCT/3WO/WT/UPDN+MS	3500K/4000K/5000K	CCT SELECT	120°	80	YES	S-QXRDDK
LR42616	ARCHL96/3CCT/3WO/BK/UPDN	3500K/4000K/5000K	CCT SELECT	120°	80	YES	S-QXRDDK
LR42616+EM	ARCHL96/3CCT/3WO/BK/UPDN+EM	3500K/4000K/5000K	CCT SELECT	120°	80	YES	S-QXRDDK
LR42616+MS	ARCHL96/3CCT/3WO/WT/UPDN+MS	3500K/4000K/5000K	CCT SELECT	120°	80	YES	S-QXRDDK

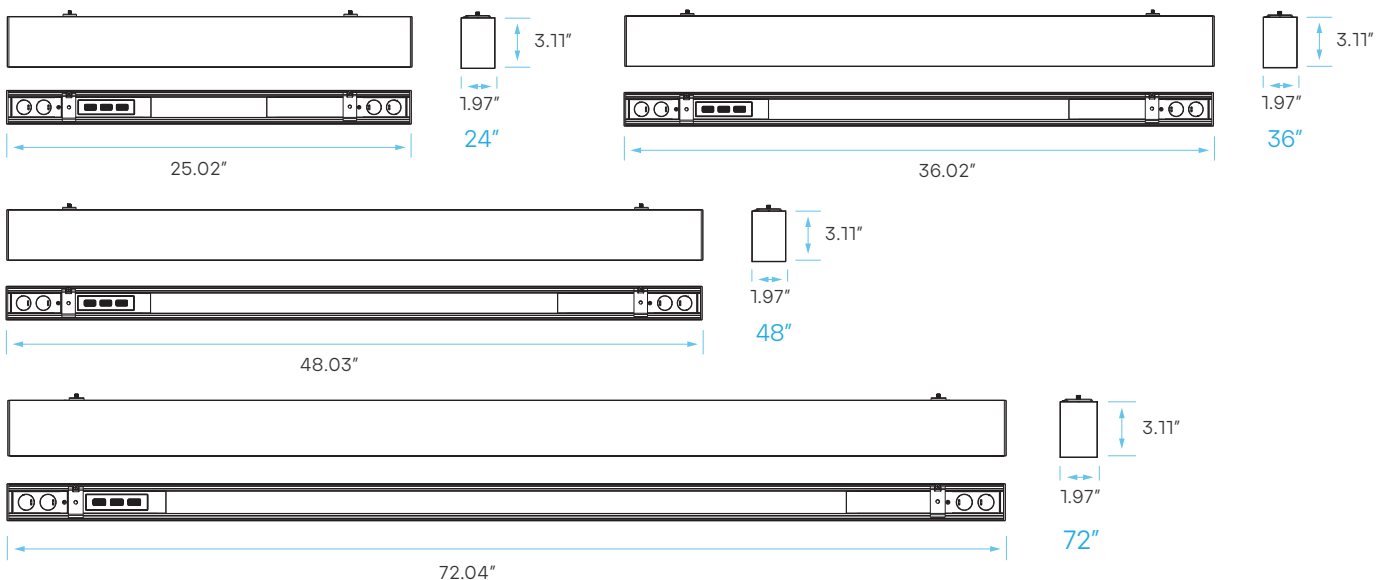
WIRING



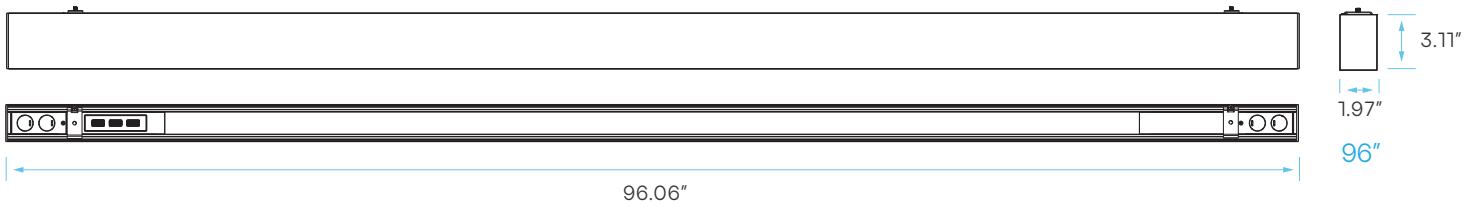
3CCT/WATTAGE/UP-DOWN SWITCH



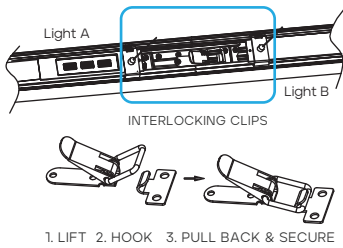
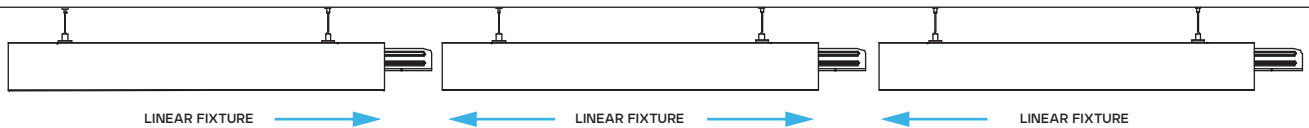
DIMENSIONS



DIMENSIONS



LINKABLE INSTALLATION

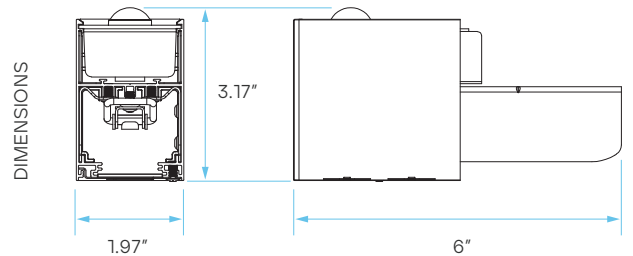


***PLEASE NOTE:**
 Under 120V line voltage, connect up to maximum of 40'. If the linking length is over 24', please use the roll out lens LR42644, LR42645 for seamless connection.
 Under 277V line voltage, connect up to maximum of 100'. If the linking length is over 24', please use the roll out lens LR42644, LR42645 for seamless connection.

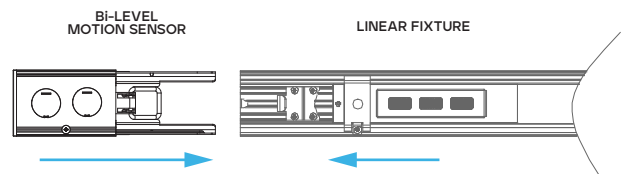
ARCHITECTURAL LINEAR MAX RUN			
MODEL	WATTAGE	120V	277V
LR42605	<25W	16 PCS	40 PCS
LR42606	<25W	16 PCS	40 PCS
LR42610	<50W	8 PCS	20 PCS
LR42611	<50W	8 PCS	20 PCS
LR42612	<60W	6 PCS	16 PCS
LR42613	<60W	6 PCS	16 PCS
LR42615	<80W	6 PCS	10 PCS
LR42616	<80W	6 PCS	10 PCS

Bi-LEVEL MS CONNECTOR OPTIONS

*SOLD SEPARATELY



INSTALLATION



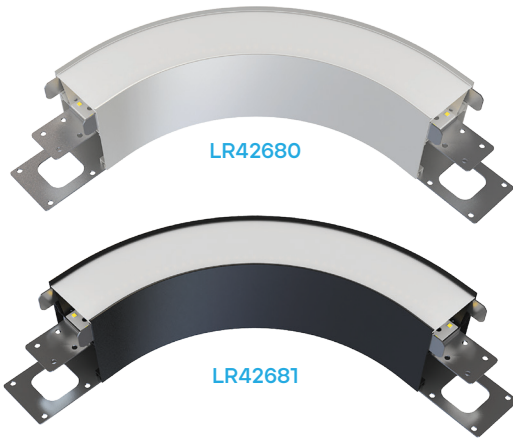
MODEL	DESCRIPTION	CONNECTOR TYPE
LR42672	ARCHL-MS/3CCT/3WO/WT	Bi-LEVEL MS CONNECTOR
LR42673	ARCHL-MS/3CCT/3WO/BK	Bi-LEVEL MS CONNECTOR

WORKS WITH:

MODEL	DESCRIPTION	TYPE
LR42605	ARCHL24/3CCT/3WO/WT/UPDN	24" LINEAR
LR42606	ARCHL24/3CCT/3WO/BK/UPDN	24" LINEAR
LR42610	ARCHL48/3CCT/3WO/WT/UPDN	48" LINEAR
LR42611	ARCHL48/3CCT/3WO/BK/UPDN	48" LINEAR
LR42612	ARCHL72/3CCT/3WO/WT/UPDN	72" LINEAR
LR42613	ARCHL72/3CCT/3WO/BK/UPDN	72" LINEAR
LR42615	ARCHL96/3CCT/3WO/WT/UPDN	96" LINEAR
LR42616	ARCHL96/3CCT/3WO/BK/UPDN	96" LINEAR

ARC CONNECTOR OPTIONS

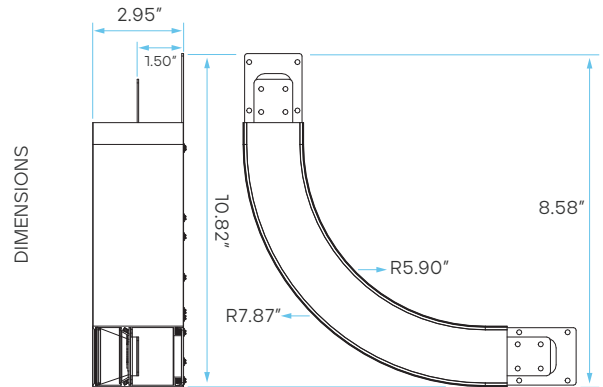
*SOLD SEPARATELY



MODEL	DESCRIPTION	CONNECTOR TYPE
LR42680	ARCHL-ARC/3CCT/3WO/WT	ARC CONNECTOR
LR42681	ARCHL-ARC/3CCT/3WO/BK	ARC CONNECTOR

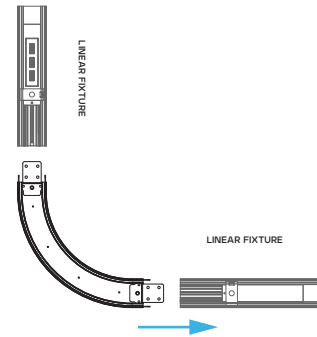
MODEL	DESCRIPTION	TYPE
LR42605	ARCHL24/3CCT/3WO/WT/UPDN	24" LINEAR
LR42606	ARCHL24/3CCT/3WO/BK/UPDN	
LR42610	ARCHL48/3CCT/3WO/WT/UPDN	
LR42611	ARCHL48/3CCT/3WO/BK/UPDN	48" LINEAR
LR42612	ARCHL72/3CCT/3WO/WT/UPDN	
LR42613	ARCHL72/3CCT/3WO/BK/UPDN	72" LINEAR
LR42615	ARCHL96/3CCT/3WO/WT/UPDN	
LR42616	ARCHL96/3CCT/3WO/BK/UPDN	96" LINEAR

WORKS WITH:



DIMENSIONS

INSTALLATION



"V60" CONNECTOR OPTIONS

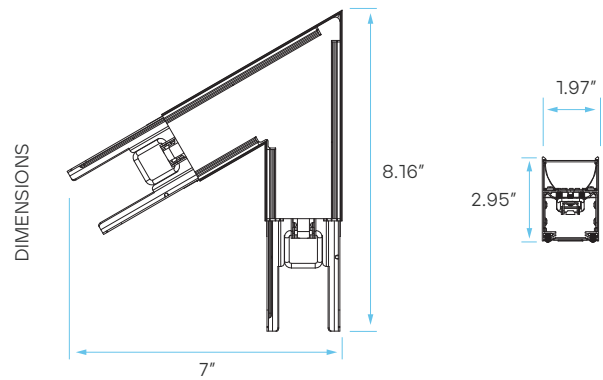
*SOLD SEPARATELY



MODEL	DESCRIPTION	CONNECTOR TYPE
LR42626	ARCHL-V60/3CCT/3WO/WT	V60° CONNECTOR
LR42627	ARCHL-V60/3CCT/3WO/BK	V60° CONNECTOR

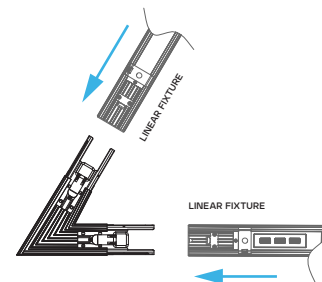
MODEL	DESCRIPTION	TYPE
LR42605	ARCHL24/3CCT/3WO/WT/UPDN	24" LINEAR
LR42606	ARCHL24/3CCT/3WO/BK/UPDN	
LR42610	ARCHL48/3CCT/3WO/WT/UPDN	
LR42611	ARCHL48/3CCT/3WO/BK/UPDN	48" LINEAR
LR42612	ARCHL72/3CCT/3WO/WT/UPDN	
LR42613	ARCHL72/3CCT/3WO/BK/UPDN	72" LINEAR
LR42615	ARCHL96/3CCT/3WO/WT/UPDN	
LR42616	ARCHL96/3CCT/3WO/BK/UPDN	96" LINEAR

WORKS WITH:



DIMENSIONS

INSTALLATION

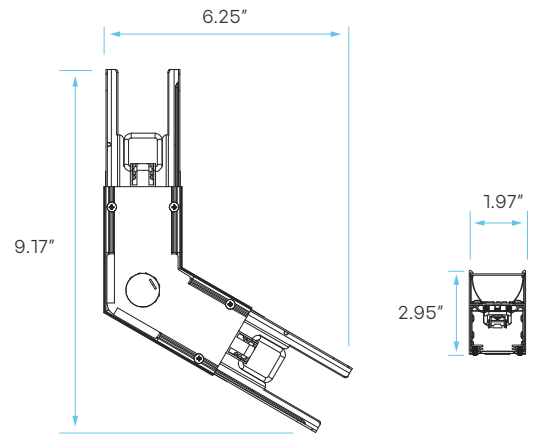


"V120°" CONNECTOR OPTIONS

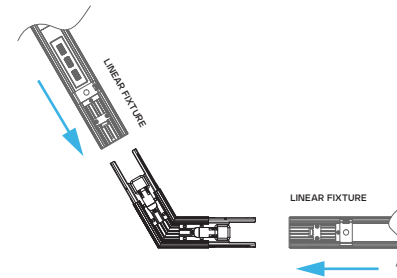
*SOLD SEPARATELY



DIMENSIONS



INSTALLATION



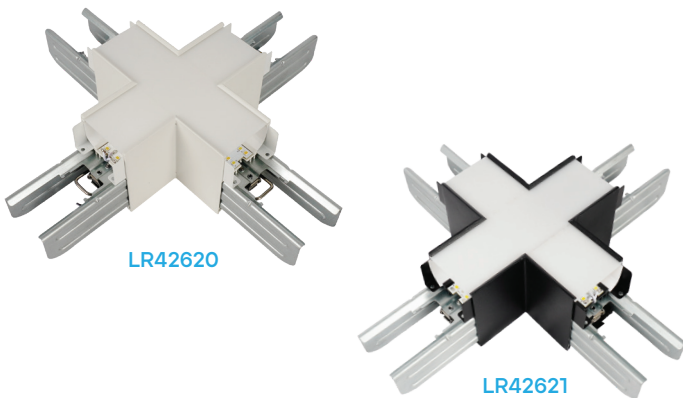
MODEL	DESCRIPTION	CONNECTOR TYPE
LR42628	ARCHL-V120/3CCT/3WO/WT	V120° CONNECTOR
LR42629	ARCHL-V120/3CCT/3WO/BK	V120° CONNECTOR

WORKS WITH:

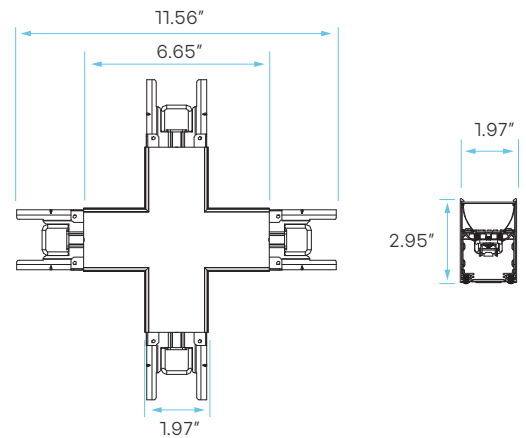
MODEL	DESCRIPTION	TYPE
LR42605	ARCHL24/3CCT/3WO/WT/UPDN	24" LINEAR
LR42606	ARCHL24/3CCT/3WO/BK/UPDN	
LR42610	ARCHL48/3CCT/3WO/WT/UPDN	
LR42611	ARCHL48/3CCT/3WO/BK/UPDN	48" LINEAR
LR42612	ARCHL72/3CCT/3WO/WT/UPDN	
LR42613	ARCHL72/3CCT/3WO/BK/UPDN	72" LINEAR
LR42615	ARCHL96/3CCT/3WO/WT/UPDN	
LR42616	ARCHL96/3CCT/3WO/BK/UPDN	

"X" CONNECTOR OPTIONS

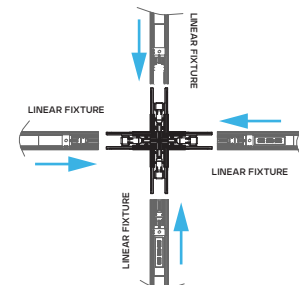
*SOLD SEPARATELY



DIMENSIONS



INSTALLATION



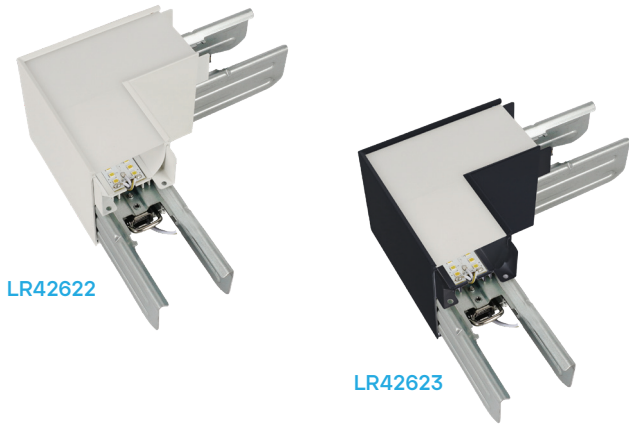
MODEL	DESCRIPTION	CONNECTOR TYPE
LR42620	ARCHL-X/3CCT/3WO/WT	X-CONNECTOR
LR42621	ARCHL-X/3CCT/3WO/BK	X-CONNECTOR

WORKS WITH:

MODEL	DESCRIPTION	TYPE
LR42605	ARCHL24/3CCT/3WO/WT/UPDN	24" LINEAR
LR42606	ARCHL24/3CCT/3WO/BK/UPDN	
LR42610	ARCHL48/3CCT/3WO/WT/UPDN	
LR42611	ARCHL48/3CCT/3WO/BK/UPDN	48" LINEAR
LR42612	ARCHL72/3CCT/3WO/WT/UPDN	
LR42613	ARCHL72/3CCT/3WO/BK/UPDN	72" LINEAR
LR42615	ARCHL96/3CCT/3WO/WT/UPDN	
LR42616	ARCHL96/3CCT/3WO/BK/UPDN	

"L" CONNECTOR OPTIONS

*SOLD SEPARATELY



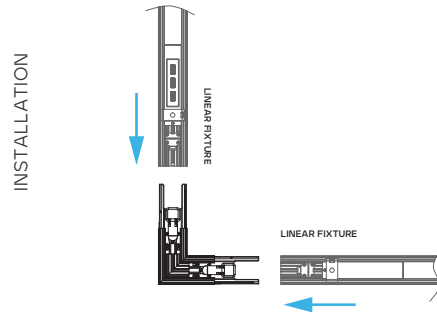
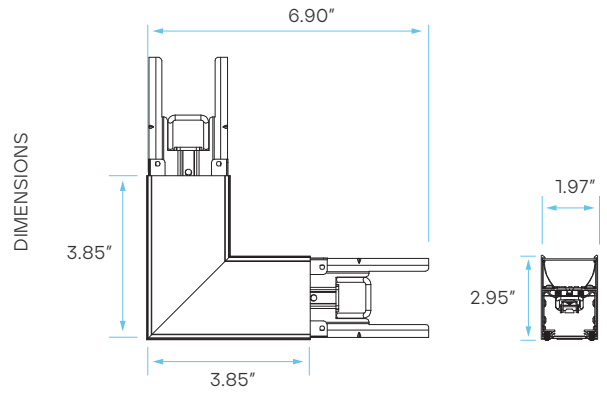
LR42622

LR42623

MODEL	DESCRIPTION	CONNECTOR TYPE
LR42622	ARCHL-L/3CCT/3WO/WT	L-CONNECTOR
LR42623	ARCHL-L/3CCT/3WO/BK	L-CONNECTOR

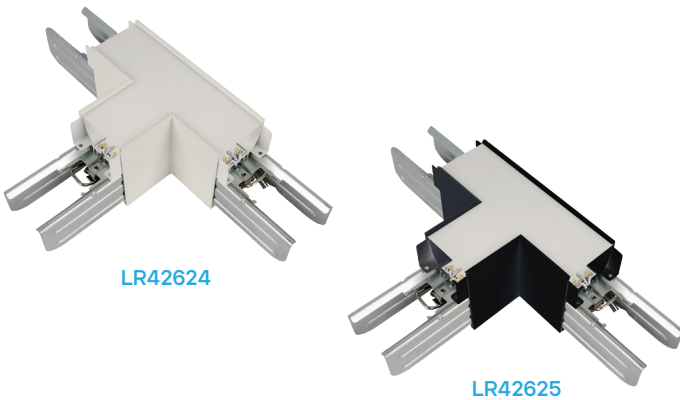
WORKS WITH:

MODEL	DESCRIPTION	TYPE
LR42605	ARCHL24/3CCT/3WO/WT/UPDN	24" LINEAR
LR42606	ARCHL24/3CCT/3WO/BK/UPDN	24" LINEAR
LR42610	ARCHL48/3CCT/3WO/WT/UPDN	48" LINEAR
LR42611	ARCHL48/3CCT/3WO/BK/UPDN	48" LINEAR
LR42612	ARCHL72/3CCT/3WO/WT/UPDN	72" LINEAR
LR42613	ARCHL72/3CCT/3WO/BK/UPDN	72" LINEAL
LR42615	ARCHL96/3CCT/3WO/WT/UPDN	96" LINEAR
LR42616	ARCHL96/3CCT/3WO/BK/UPDN	96" LINEAR



"T" CONNECTOR OPTIONS

*SOLD SEPARATELY



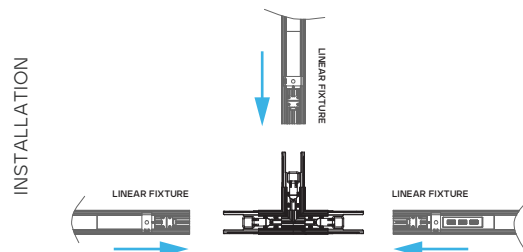
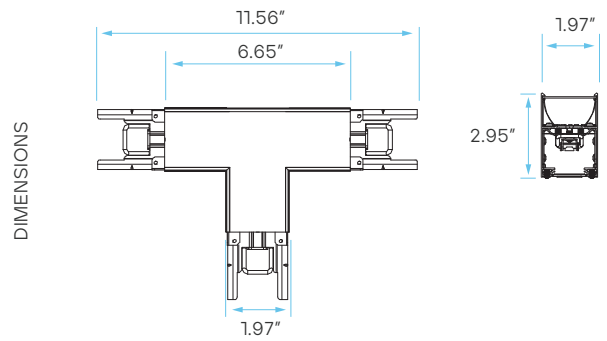
LR42624

LR42625

MODEL	DESCRIPTION	CONNECTOR TYPE
LR42624	ARCHL-T/3CCT/3WO/WT	T-CONNECTOR
LR42625	ARCHL-T/3CCT/3WO/BK	T-CONNECTOR

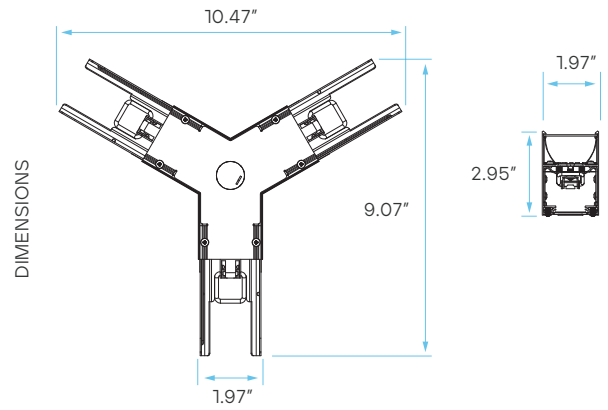
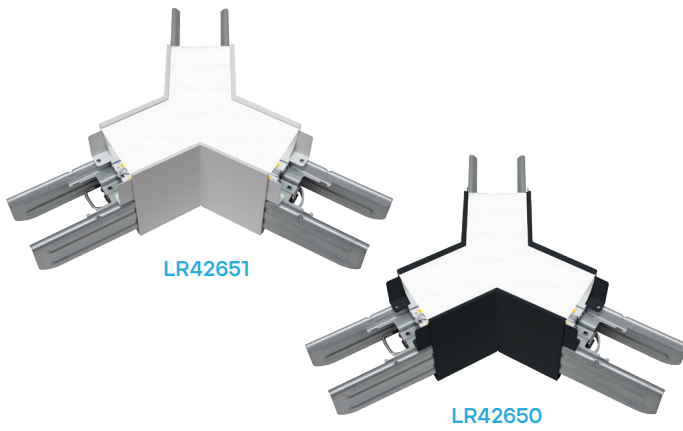
WORKS WITH:

MODEL	DESCRIPTION	TYPE
LR42605	ARCHL24/3CCT/3WO/WT/UPDN	24" LINEAR
LR42606	ARCHL24/3CCT/3WO/BK/UPDN	24" LINEAR
LR42610	ARCHL48/3CCT/3WO/WT/UPDN	48" LINEAR
LR42611	ARCHL48/3CCT/3WO/BK/UPDN	48" LINEAR
LR42612	ARCHL72/3CCT/3WO/WT/UPDN	72" LINEAR
LR42613	ARCHL72/3CCT/3WO/BK/UPDN	72" LINEAR
LR42615	ARCHL96/3CCT/3WO/WT/UPDN	96" LINEAR
LR42616	ARCHL96/3CCT/3WO/BK/UPDN	96" LINEAR



"Y" CONNECTOR OPTIONS

*SOLD SEPARATELY

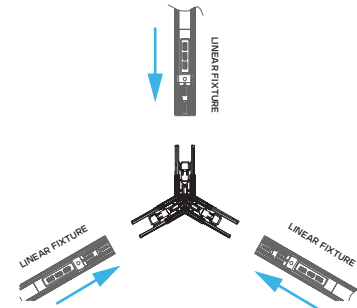


MODEL	DESCRIPTION	CONNECTOR TYPE
LR42650	ARCHL-Y/3CCT/3WO/BK	Y-CONNECTOR
LR42651	ARCHL-Y/3CCT/3WO/WT	Y-CONNECTOR

WORKS WITH:

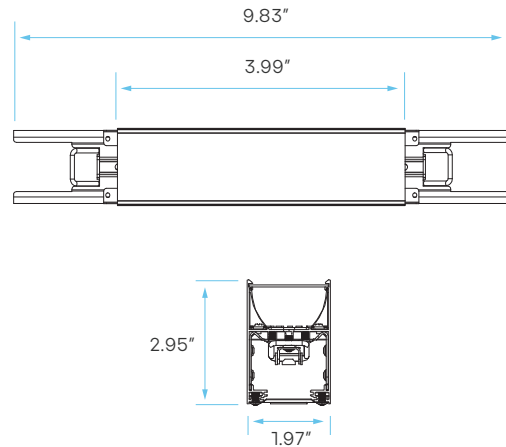
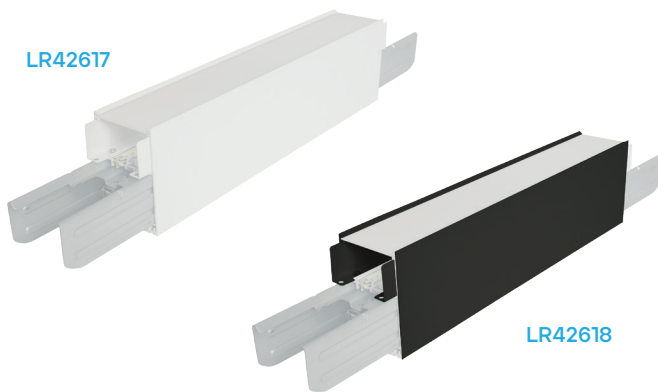
MODEL	DESCRIPTION	TYPE
LR42605	ARCHL24/3CCT/3WO/WT/UPDN	24" LINEAR
LR42606	ARCHL24/3CCT/3WO/BK/UPDN	24" LINEAR
LR42610	ARCHL48/3CCT/3WO/WT/UPDN	48" LINEAR
LR42611	ARCHL48/3CCT/3WO/BK/UPDN	48" LINEAR
LR42612	ARCHL72/3CCT/3WO/WT/UPDN	72" LINEAR
LR42613	ARCHL72/3CCT/3WO/BK/UPDN	72" LINEAR
LR42615	ARCHL96/3CCT/3WO/WT/UPDN	96" LINEAR
LR42616	ARCHL96/3CCT/3WO/BK/UPDN	96" LINEAR

INSTALLATION



4" CONNECTOR OPTIONS

*SOLD SEPARATELY



WORKS WITH:

MODEL	DESCRIPTION	CONNECTOR TYPE
LR42617	ARCHL4/3CCT/3WO/WT	4" CONNECTOR
LR42618	ARCHL4/3CCT/3WO/BK	4" CONNECTOR

MODEL	DESCRIPTION	TYPE
LR42605	ARCHL24/3CCT/3WO/WT/UPDN	24" LINEAR
LR42606	ARCHL24/3CCT/3WO/BK/UPDN	24" LINEAR
LR42610	ARCHL48/3CCT/3WO/WT/UPDN	48" LINEAR
LR42611	ARCHL48/3CCT/3WO/BK/UPDN	48" LINEAR
LR42612	ARCHL72/3CCT/3WO/WT/UPDN	72" LINEAR
LR42613	ARCHL72/3CCT/3WO/BK/UPDN	72" LINEAR
LR42615	ARCHL96/3CCT/3WO/WT/UPDN	96" LINEAR
LR42616	ARCHL96/3CCT/3WO/BK/UPDN	96" LINEAR

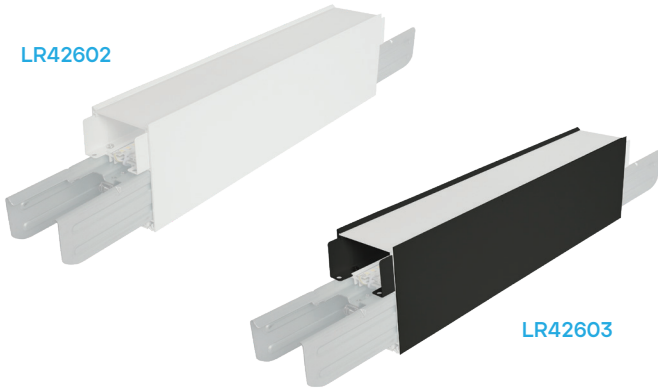
INSTALLATION



6" CONNECTOR OPTIONS

*SOLD SEPARATELY

LR42602

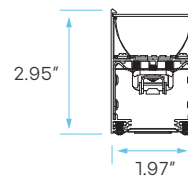
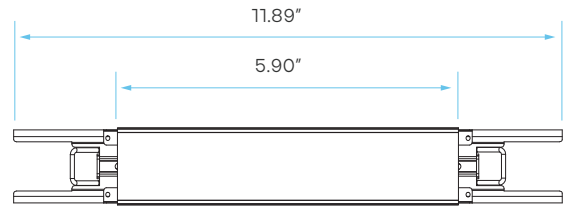


LR42603

MODEL	DESCRIPTION	CONNECTOR TYPE
LR42602	ARCHL6/3CCT/3WO/WT	6" CONNECTOR
LR42603	ARCHL6/3CCT/3WO/BK	6" CONNECTOR

WORKS WITH:

MODEL	DESCRIPTION	TYPE
LR42605	ARCHL24/3CCT/3WO/WT/UPDN	24" LINEAR
LR42606	ARCHL24/3CCT/3WO/BK/UPDN	24" LINEAR
LR42610	ARCHL48/3CCT/3WO/WT/UPDN	48" LINEAR
LR42611	ARCHL48/3CCT/3WO/BK/UPDN	48" LINEAR
LR42612	ARCHL72/3CCT/3WO/WT/UPDN	72" LINEAR
LR42613	ARCHL72/3CCT/3WO/BK/UPDN	72" LINEAR
LR42615	ARCHL96/3CCT/3WO/WT/UPDN	96" LINEAR
LR42616	ARCHL96/3CCT/3WO/BK/UPDN	96" LINEAR



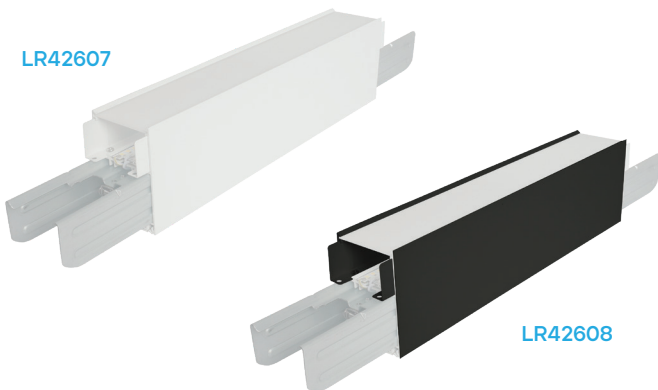
INSTALLATION



9" CONNECTOR OPTIONS

*SOLD SEPARATELY

LR42607

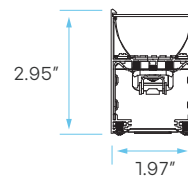
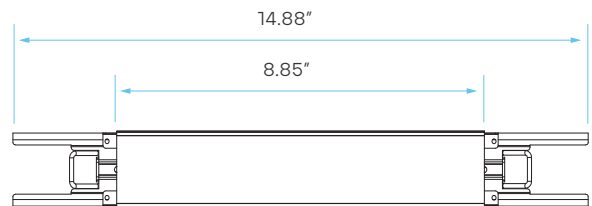


LR42608

MODEL	DESCRIPTION	CONNECTOR TYPE
LR42607	ARCHL9/3CCT/3WO/WT	9" CONNECTOR
LR42608	ARCHL9/3CCT/3WO/BK	9" CONNECTOR

WORKS WITH:

MODEL	DESCRIPTION	TYPE
LR42605	ARCHL24/3CCT/3WO/WT/UPDN	24" LINEAR
LR42606	ARCHL24/3CCT/3WO/BK/UPDN	24" LINEAR
LR42610	ARCHL48/3CCT/3WO/WT/UPDN	48" LINEAR
LR42611	ARCHL48/3CCT/3WO/BK/UPDN	48" LINEAR
LR42612	ARCHL72/3CCT/3WO/WT/UPDN	72" LINEAR
LR42613	ARCHL72/3CCT/3WO/BK/UPDN	72" LINEAR
LR42615	ARCHL96/3CCT/3WO/WT/UPDN	96" LINEAR
LR42616	ARCHL96/3CCT/3WO/BK/UPDN	96" LINEAR



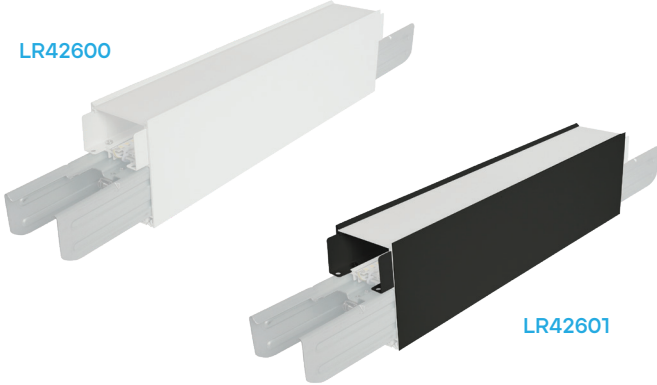
INSTALLATION



12" CONNECTOR OPTIONS

*SOLD SEPARATELY

LR42600

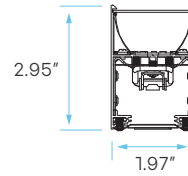
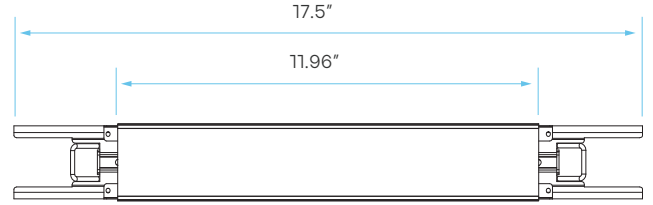


LR42601

MODEL	DESCRIPTION	CONNECTOR TYPE
LR42600	ARCHL12/3CCT/3WO/WT	12" CONNECTOR
LR42601	ARCHL12/3CCT/3WO/BK	12" CONNECTOR

WORKS WITH:

MODEL	DESCRIPTION	TYPE
LR42605	ARCHL24/3CCT/3WO/WT/UPDN	24" LINEAR
LR42606	ARCHL24/3CCT/3WO/BK/UPDN	24" LINEAR
LR42610	ARCHL48/3CCT/3WO/WT/UPDN	48" LINEAR
LR42611	ARCHL48/3CCT/3WO/BK/UPDN	48" LINEAR
LR42612	ARCHL72/3CCT/3WO/WT/UPDN	72" LINEAR
LR42613	ARCHL72/3CCT/3WO/BK/UPDN	72" LINEAR
LR42615	ARCHL96/3CCT/3WO/WT/UPDN	96" LINEAR
LR42616	ARCHL96/3CCT/3WO/BK/UPDN	96" LINEAR



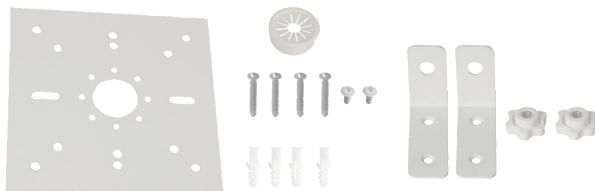
INSTALLATION



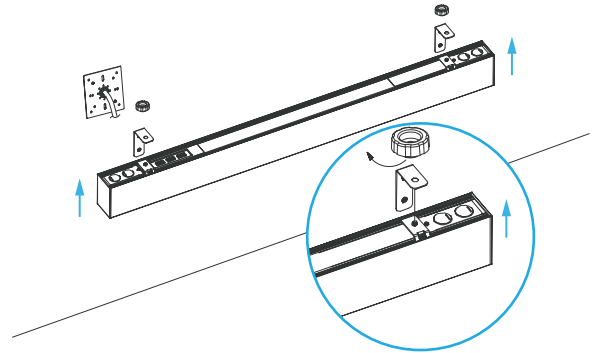
MOUNTING OPTIONS

*SOLD SEPARATELY

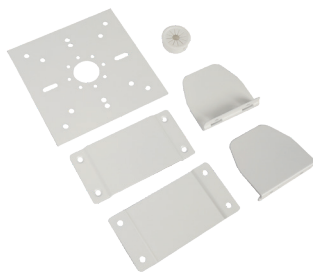
"L" WALL MOUNT KIT



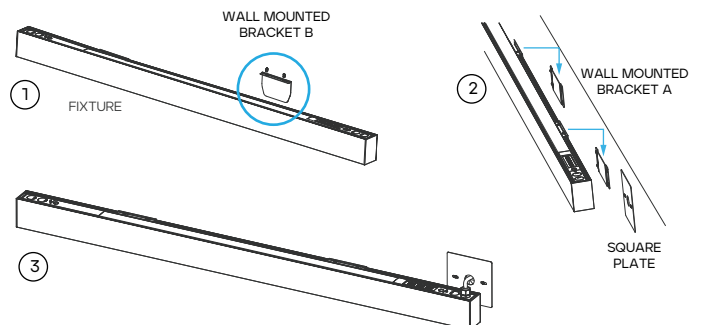
MODEL	DESCRIPTION	TYPE
LR42630	ARCHL/WALL2-KIT	"L" WALL MOUNT KIT



WALL MOUNT KIT



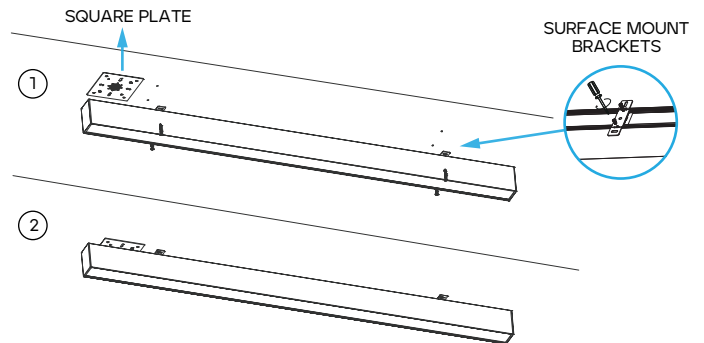
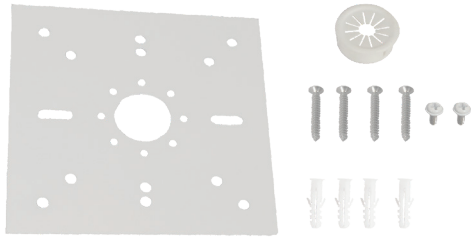
MODEL	DESCRIPTION	TYPE
LR42631	ARCHL/WALL-KIT	WALL MOUNT KIT



MOUNTING OPTIONS

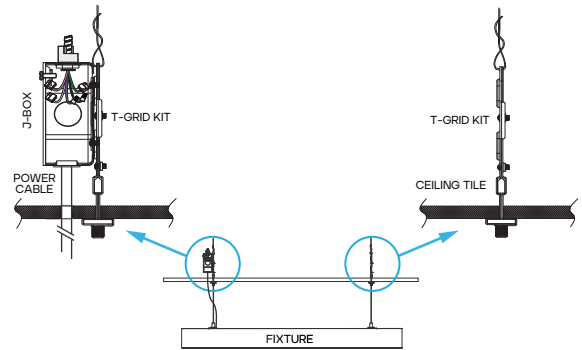
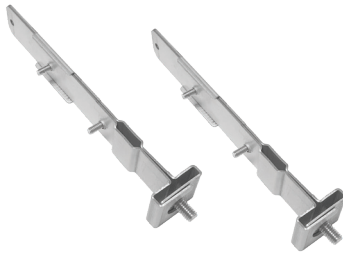
*SOLD SEPARATELY

SURFACE MOUNT KIT



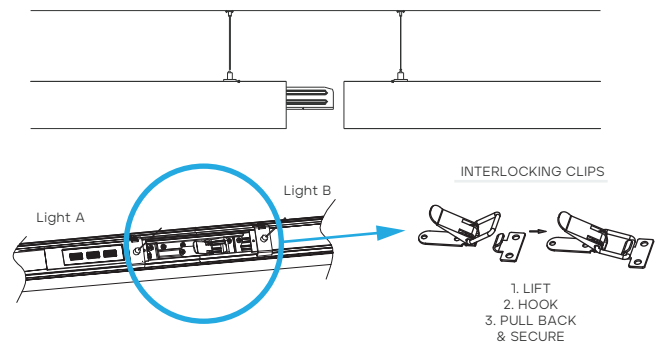
MODEL	DESCRIPTION	TYPE
LR42632	ARCHL/SURF-KIT	SURFACE MOUNT KIT

T-GRID KIT



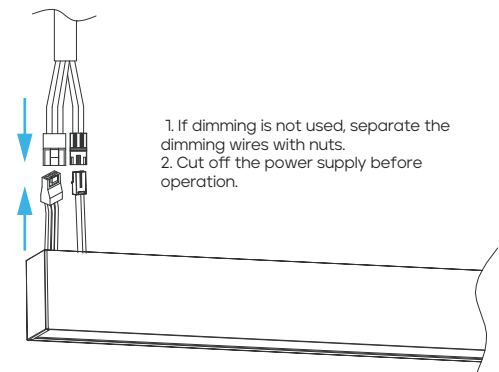
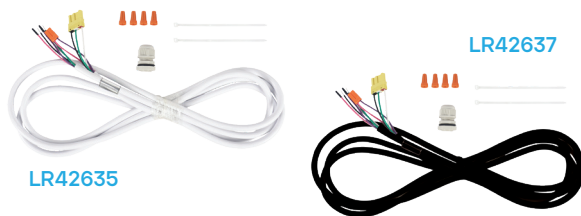
MODEL	DESCRIPTION	TYPE
LR42633	ARCHL/TGRID-KIT	T-GRID KIT

LINK KIT



MODEL	DESCRIPTION	TYPE
LR42634	ARCHL/LINK-KIT	LINK KIT

10' WIRE



MODEL	DESCRIPTION	TYPE
LR42635	ARCHL/WIRE10	10' WIRE
LR42637	ARCHL/PWR10/BK	10' WIRE

MOUNTING OPTIONS

*SOLD SEPARATELY

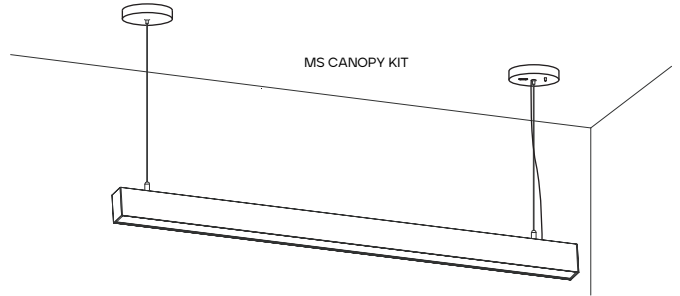
MOTION SENSOR CANOPY*



ADJUSTABLE
VIA DIP SWITCH

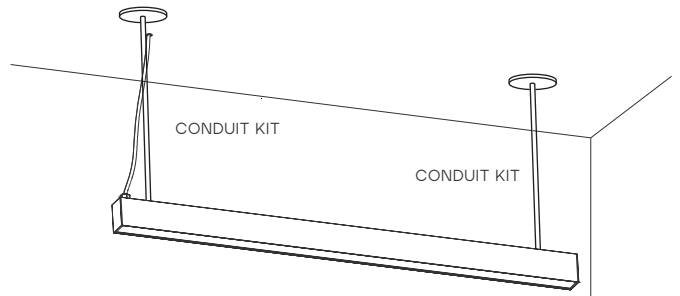
DEFAULT SETTINGS	
SENSITIVITY:	100%
STAND-BY TIME:	1 MIN
STAND-BY LIGHTING LEVEL:	30%
HOLD TIME:	1 MIN

*One LR42636 sensor can control a single run of multiple connected fixtures—up to 450W total.



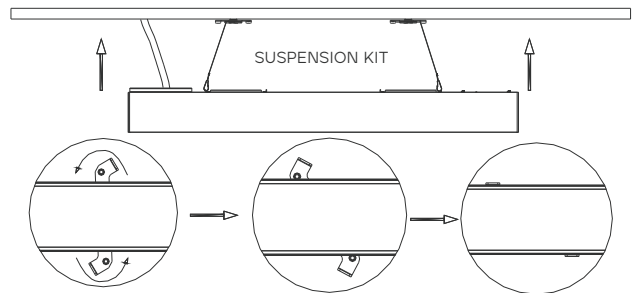
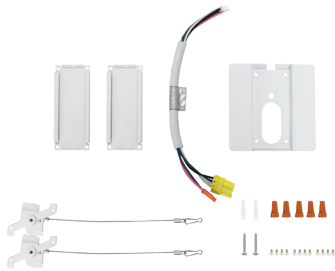
MODEL	DESCRIPTION	TYPE
LR42636	ARCHL/MS-CANOPY	MOTION SENSOR CANOPY*

CONDUIT KIT



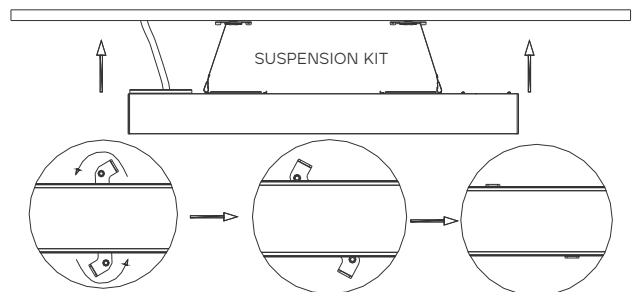
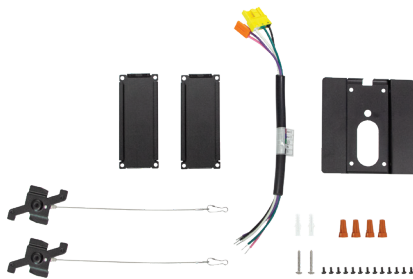
MODEL	DESCRIPTION	TYPE
LR42638	ARCHL/COND-KIT	CONDUIT KIT

SURFACE MOUNT KIT



MODEL	DESCRIPTION	TYPE
LR42653	ARCHL/SURF-KIT2/WT	SURFACE MOUNT KIT

SURFACE MOUNT KIT

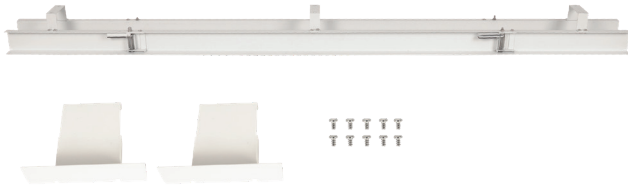


MODEL	DESCRIPTION	TYPE
LR42654	ARCHL/SURF-KIT2/BK	SURFACE MOUNT KIT

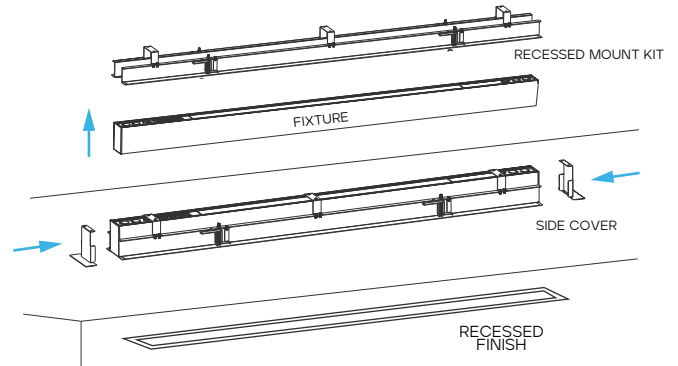
MOUNTING OPTIONS

*SOLD SEPARATELY

RECESSED MOUNT KIT

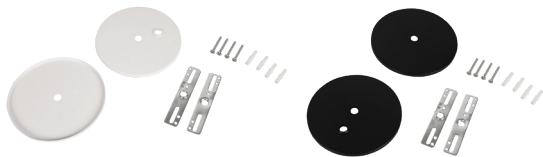


WORKS WITH 4' & 8'



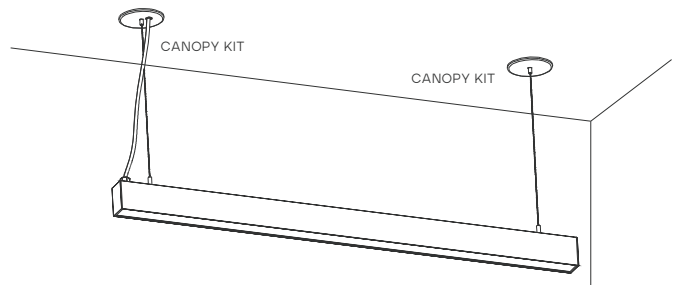
MODEL	DESCRIPTION	TYPE
LR42639	ARCHL/REC-KIT	RECESSED MOUNT KIT

CANOPY KIT



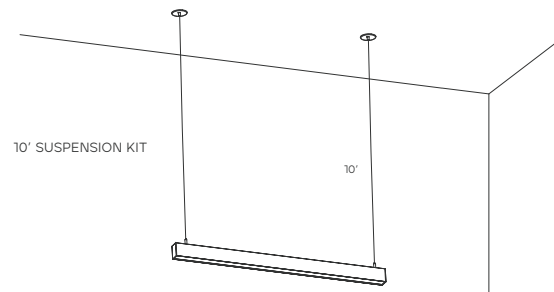
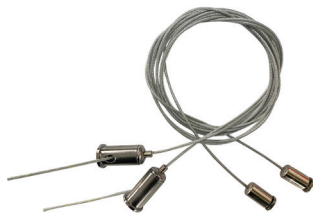
LR42640

LR42641



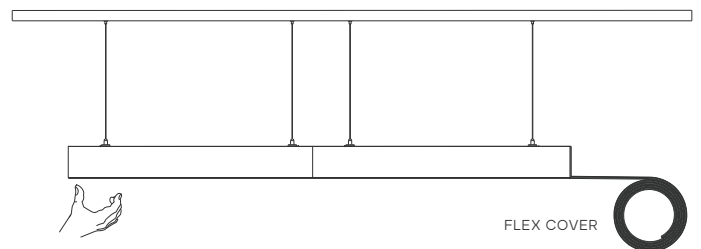
MODEL	DESCRIPTION	TYPE
LR42640	ARCHL/CNPY/WT/WIRE5	WHITE CANOPY KIT
LR42641	ARCHL/CNPY/BK/WIRE5	BLACK CANOPY KIT

10' SUSPENSION KIT



MODEL	DESCRIPTION	TYPE
LR42646	ARCHL/SUSP/KIT/10	10' SUSPENSION KIT

FLEXIBLE COVER

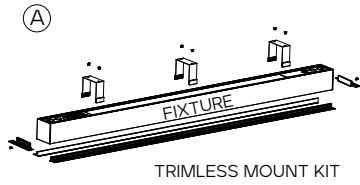


MODEL	DESCRIPTION	TYPE
LR42644	ARCHL/FLEX-CVR25	25' FLEXIBLE COVER
LR42645	ARCHL/FLEX-CVR100	100' FLEXIBLE COVER

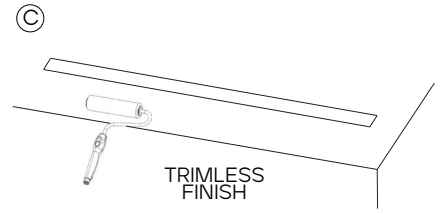
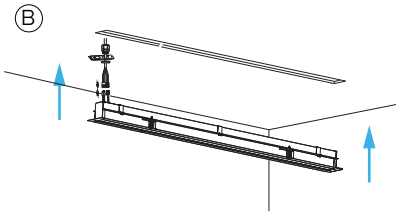
MOUNTING OPTIONS

*SOLD SEPARATELY

2', 4', 6' & 8' TRIMLESS MOUNT KIT

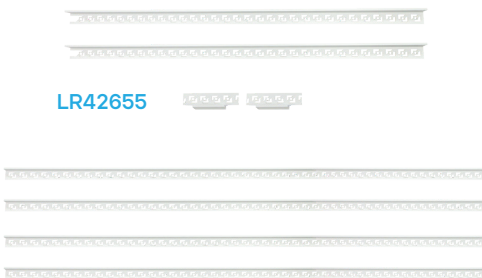


TRIMLESS MOUNT KIT



TRIMLESS FINISH

LR42655



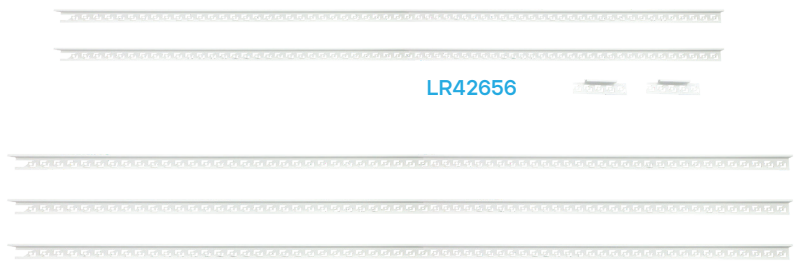
*2PCS/SIDE

LR42657



*2PCS/SIDE

LR42656



LR42658



MODEL	DESCRIPTION	TYPE	MODEL	DESCRIPTION	TYPE
LR42655	ARCHL/TL-KIT/2FT/WT	2' TRIMLESS MOUNT KIT	LR42657	ARCHL/TL-KIT/6FT/WT	6' TRIMLESS MOUNT KIT
LR42656	ARCHL/TL-KIT/4FT/WT	4' TRIMLESS MOUNT KIT	LR42658	ARCHL/TL-KIT/8FT/WT	8' TRIMLESS MOUNT KIT