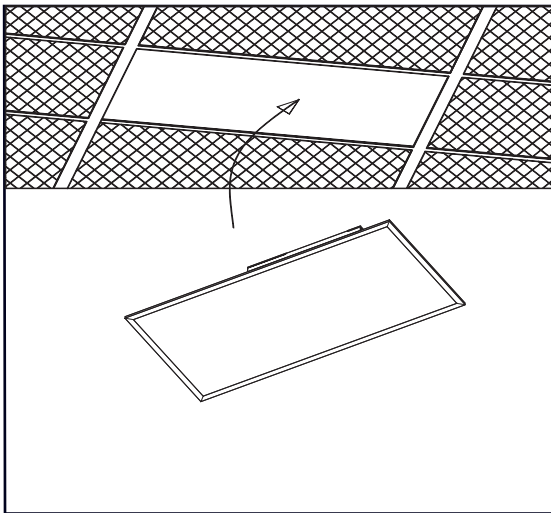


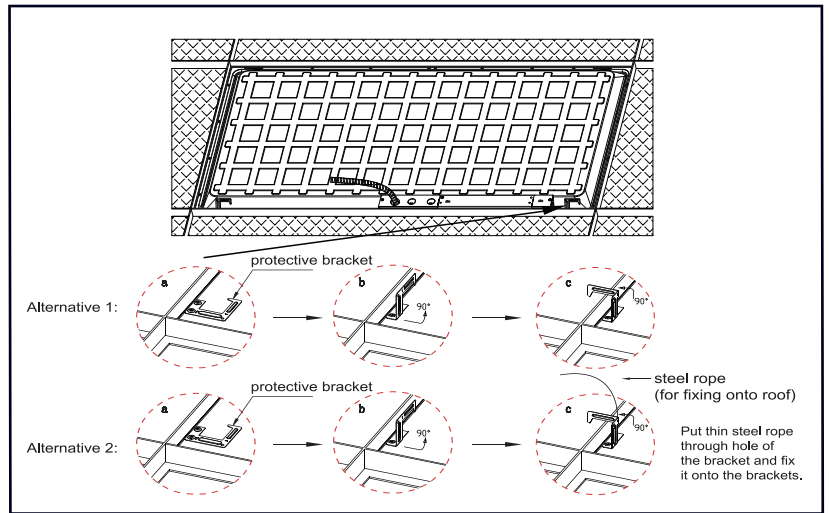
2X4 LED BACKLIT PANEL - 5 CCT & 3 WATTAGE SELECTABLE LR24294

PLEASE READ THESE INSTRUCTIONS CAREFULLY BEFORE INSTALLATION AND KEEP FOR REFERENCE. ELECTRICAL PRODUCTS CAN CAUSE DEATH OR INJURY, OR DAMAGE TO PROPERTY. IF IN ANY DOUBT ABOUT THE INSTALLATION OR USE OF THIS PRODUCT, CONSULT A COMPETENT ELECTRICIAN

RECESSED INSTALLATION



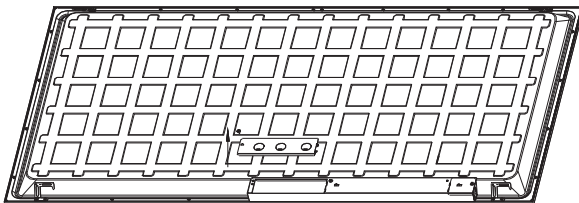
1. Replace existing lighting fixture from ceiling with LED panel



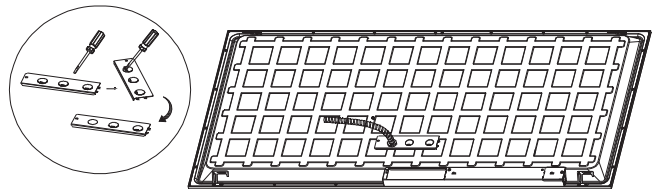
2. Use the safety brackets to secure and keep in place.

INSTALLATION GUIDE

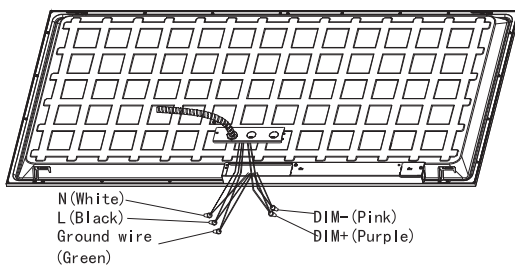
1. Unscrew the driver cover



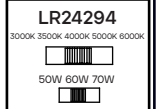
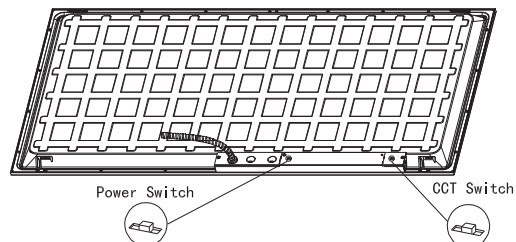
2. Connect the conduit to the driver box.



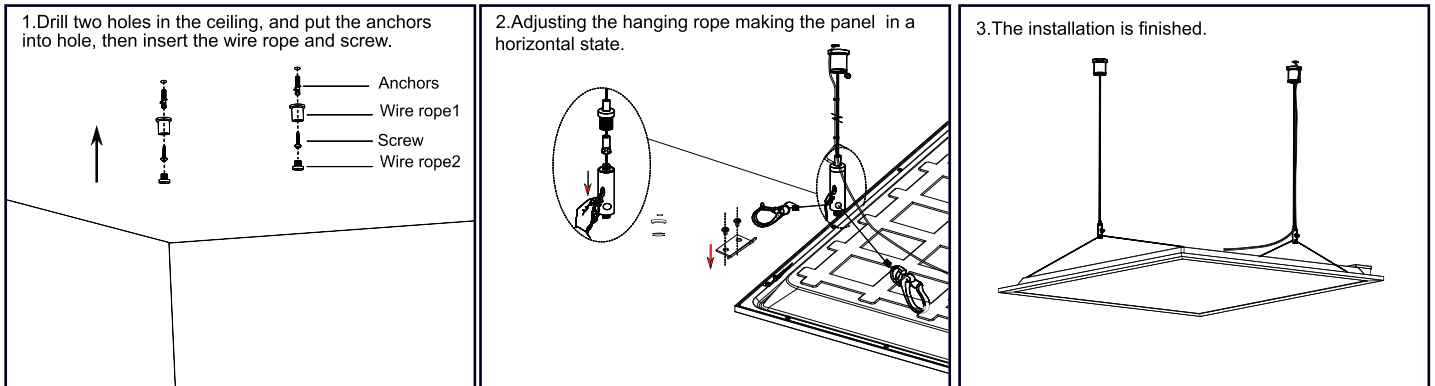
3. Connect other wires separately



4. Put back the driver cover and fix it by screw
Select adjustable power and color temperature.



SUSPENSION KIT INSTALLATION



Note: 2*2/1*4/2*4ft: 2 pcs suspension kits needed for installation.

WIRING

