

LED SURFACE MOUNT DOUBLE RING - BLACK 10", 12", 14", 16", 18"



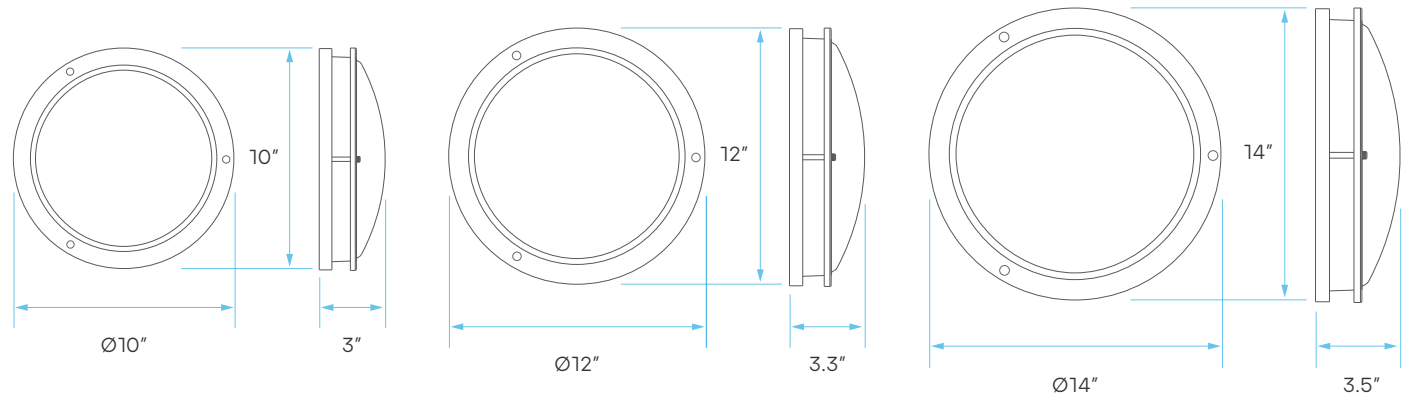
**CRI
80**

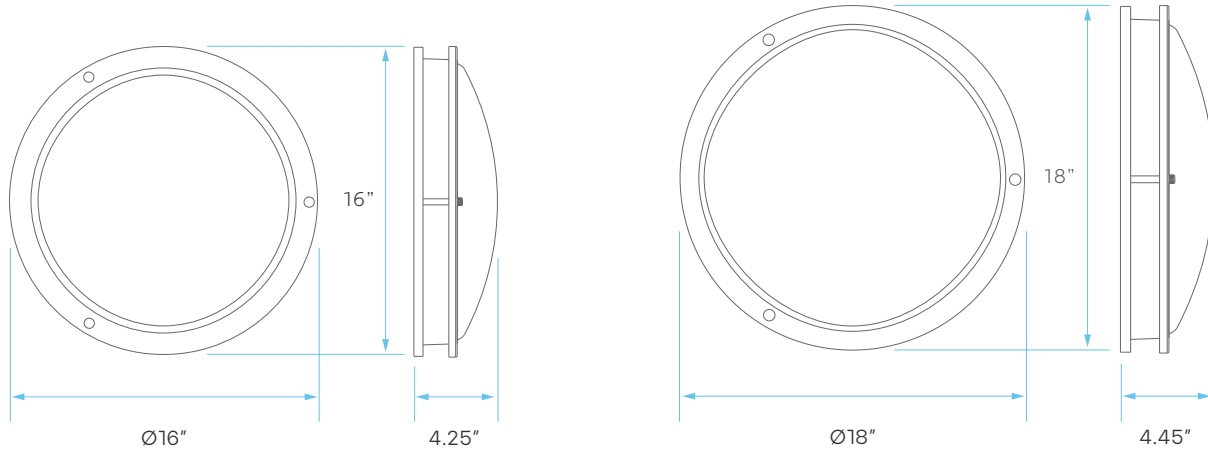
COLOR SELECTABLE
2700K 3000K 3500K 4000K 5000K

DIMMABLE
TRIAC

**DAMP
LOCATION
RATED**

**5
YEAR
WARRANTY**





ELECTRICAL

| | MODEL | DESCRIPTION | POWER | INPUT VOLTS | EFFICACY | LIFETIME | COST/YR |
|-----|---------|---------------------------|-------|-------------|----------|----------|---------|
| 10" | LR23290 | LED10"FLUSH/DR/BLK/5CCT/D | 14 | 120V | 75 | 50,000 | \$ 1.69 |
| 12" | LR23291 | LED12"FLUSH/DR/BLK/5CCT/D | 14 | 120V | 80 | 50,000 | \$ 1.69 |
| 14" | LR23292 | LED14"FLUSH/DR/BLK/5CCT/D | 18 | 120V | 80 | 50,000 | \$ 2.16 |
| 16" | LR23293 | LED16"FLUSH/DR/BLK/5CCT/D | 24 | 120V | 80 | 50,000 | \$ 2.89 |
| 18" | LR23294 | LED18"FLUSH/DR/BLK/5CCT/D | 24 | 120V | 90 | 50,000 | \$ 2.89 |

PHOTOMETRIC

| MODEL | DESCRIPTION | COLOR (CCT) | TEMP | LUMEN | FLOOD | CRI | ETL |
|---------|---------------------------|-------------------------------|------------|-------|-------|-----|-----|
| LR23290 | LED10"FLUSH/DR/BLK/5CCT/D | 2700K/3000K/3500K/4000K/5000K | CCT SELECT | 1050 | 120° | 80 | YES |
| LR23291 | LED12"FLUSH/DR/BLK/5CCT/D | 2700K/3000K/3500K/4000K/5000K | CCT SELECT | 1120 | 120° | 80 | YES |
| LR23292 | LED14"FLUSH/DR/BLK/5CCT/D | 2700K/3000K/3500K/4000K/5000K | CCT SELECT | 1400 | 120° | 80 | YES |
| LR23293 | LED16"FLUSH/DR/BLK/5CCT/D | 2700K/3000K/3500K/4000K/5000K | CCT SELECT | 1920 | 120° | 80 | YES |
| LR23294 | LED18"FLUSH/DR/BLK/5CCT/D | 2700K/3000K/3500K/4000K/5000K | CCT SELECT | 2160 | 120° | 80 | YES |