

E-Series EZ96

Easy J-Box Installation
 Constant Voltage LED Driver
 Phase-Cut Dimmable

Specification Sheet

The **E-Series EZ96** is an electronic Class 2 dimmable LED driver designed to easily be concealed using a 4" junction box kit.

- Lighting applications: Under-cabinet, kick/cove, furniture, merchandise cases, and more
 - Ideal solution for surface-mount or recessed wall installations*
 - Easy code compliant J-Box installations with low-voltage/main voltage divider
 - Dimmable down to 1%
 - Uses popular forward phase TRIAC dimmers
 - Auto reset, over current and short circuit protection
- * Consult E-Series EZ96 Installation Guide for insulated wall installations.



DIMENSIONS

| | | |
|--------|-------|----------|
| LENGTH | 3.63" | (92mm) |
| WIDTH | 2.54" | (64.5mm) |
| HEIGHT | 0.89" | (22.6mm) |

Installation: Wire leads

Driver Types: Class 2, Single Channel

Dimming: Phase-cut dimmable down to 1% with leading edge TRIAC dimmer

Input Voltage: 120VAC, 50/60Hz

Output Voltage: 24VDC

Listing: UL Recognized

Certifications: UL 8750, CSA C22.2 No. 250 13-14

Warranty: 5 year



EZ96R24DC-JBKIT: Driver + J-Box Kit
 Includes J-Box cover (not shown).

ORDERING GUIDE

| Part Number | Kit Description |
|-----------------|-----------------------------|
| EZ96R24DC-JBKIT | 96W EZ96 Driver + J-Box Kit |



E-Series EZ96

Easy J-Box Installation
Constant Voltage LED Driver
Phase-Cut Dimmable

Specification Sheet

Customer Service

Phone: (714) 312-5080

Fax: (714) 312-5070

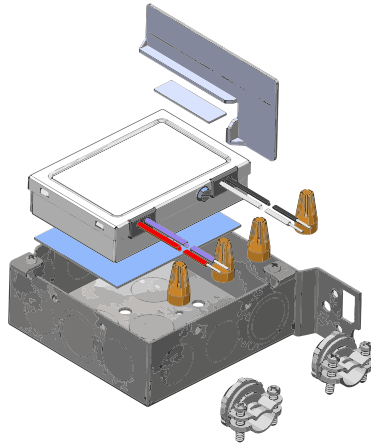
E-mail: CustomerCare@magnitudeinc.com

| PART NO. | KIT DESCRIPTION |
|-----------------|--------------------|
| EZ96R24DC-JBKIT | Driver + J-Box Kit |

EZ96R24DC-JBKIT Driver + J-Box Kit

Kit includes:

- EZ96 Driver
- Low-voltage divider
- 4" J-Box
- Wire connectors (4)
- Cable clamps (2)
- J-Box cover (not shown)
- Thermal tape for back side of driver



| SPECIFICATIONS | |
|--------------------------------|---|
| INPUT | 96W |
| Input Voltage Range | 120VAC ± 10% |
| Input Frequency | 50 / 60Hz |
| Input Current | 0.85A@120VAC |
| Efficiency | > 90% |
| Power Factor | 0.95 |
| OUTPUT | |
| Maximum Load | 96W |
| Max. Load for Insulated Walls* | 75W |
| Minimum Load | 8W |
| Output Voltage @ Max. Load | 24.0 VDC |
| Output Current @ Max. Load | 4.16A |
| ENVIRONMENTAL | |
| Max. Ambient Temperature | -30°C to +35°C (-22°F to 95°F) |
| Ingress Protection | IP54, Dust/water spray |
| DIMMING | |
| Minimum Dimming Level | 1% |
| PROTECTION | |
| Circuit Breaker | Short-circuit & over-voltage auto-reset |
| MECHANICAL HOUSING | |
| Primary Leads | 18AWG |
| Secondary Leads | 14AWG |
| Length | 3.63" (92mm) |
| Width | 2.54" (64.5mm) |
| Height | 0.89" (22.6mm) |
| Weight | 9 oz. (255g) |
| Housing Material | Coated Steel |
| APPROVAL MARKINGS | |
| Certifications/Approval Signs | UL8750 Class 2 |

*Consult E-Series EZ96 Installation Guide for insulated wall installations.

E-Series EZ96

Easy J-Box Installation
Constant Voltage LED Driver
Phase-Cut Dimmable

Specification Sheet

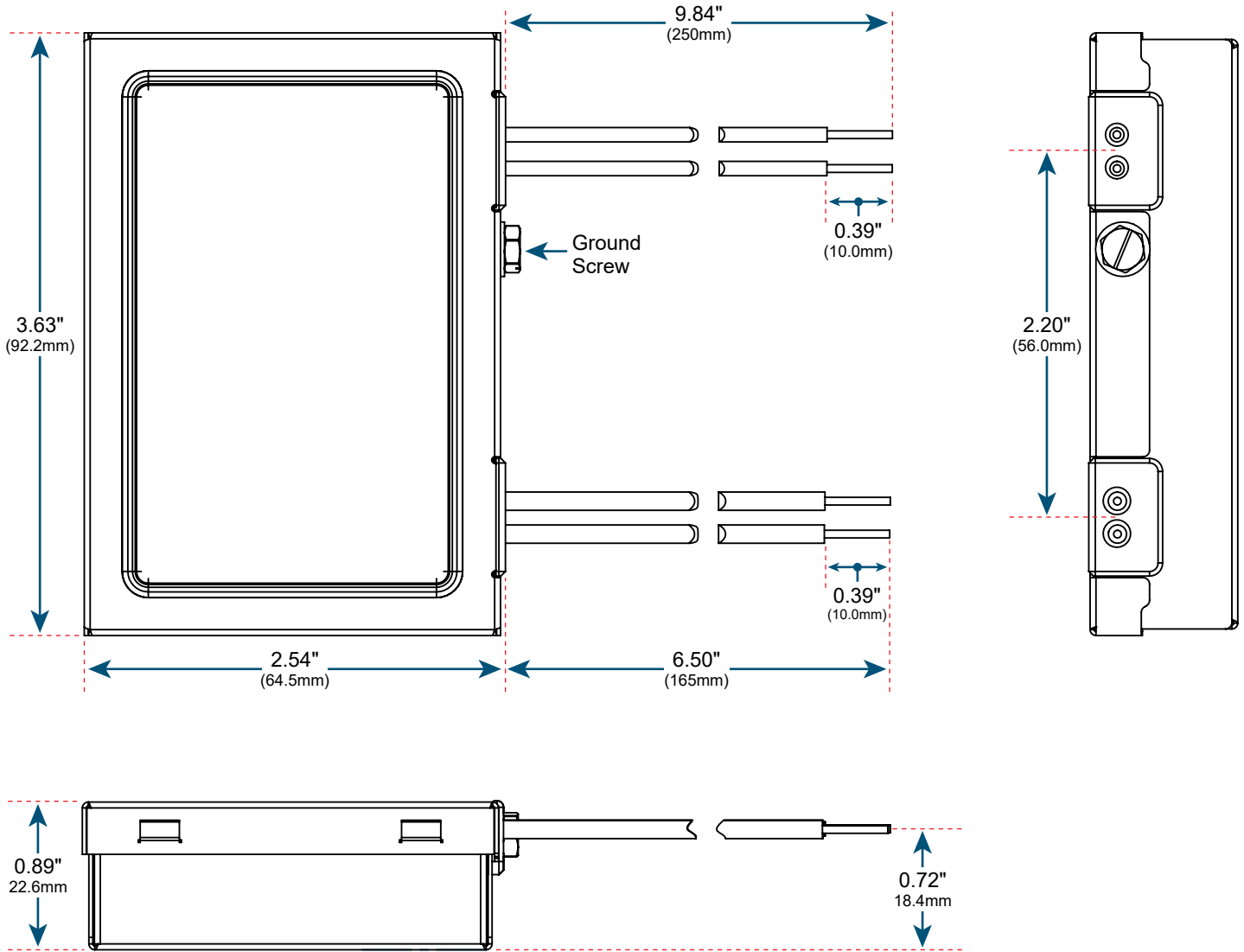
Customer Service

Phone: (714) 312-5080

Fax: (714) 312-5070

E-mail: CustomerCare@magnitudeinc.com

MECHANICAL DIAGRAMS



E-Series EZ96

Easy J-Box Installation
Constant Voltage LED Driver
Phase-Cut Dimmable

Specification Sheet

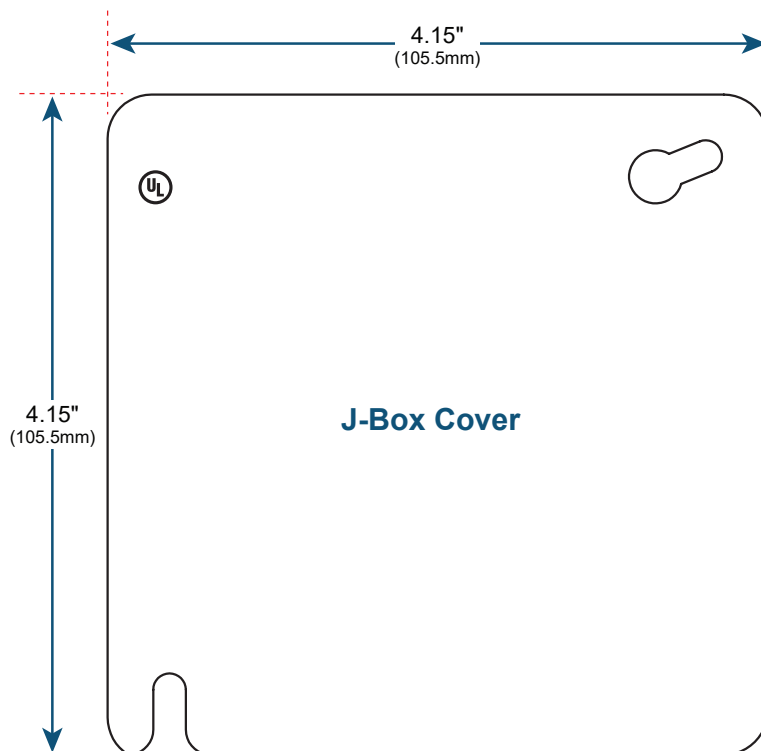
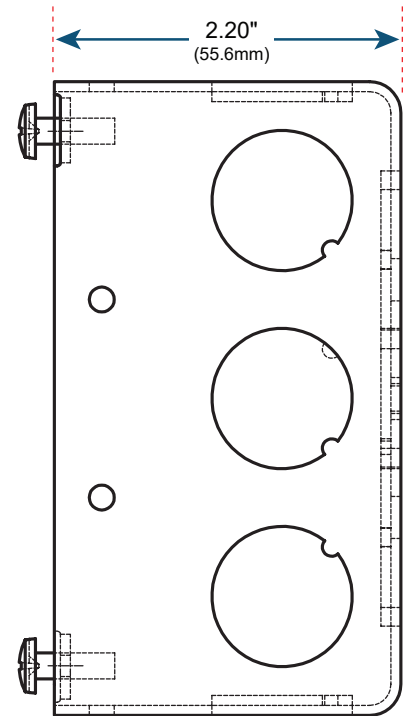
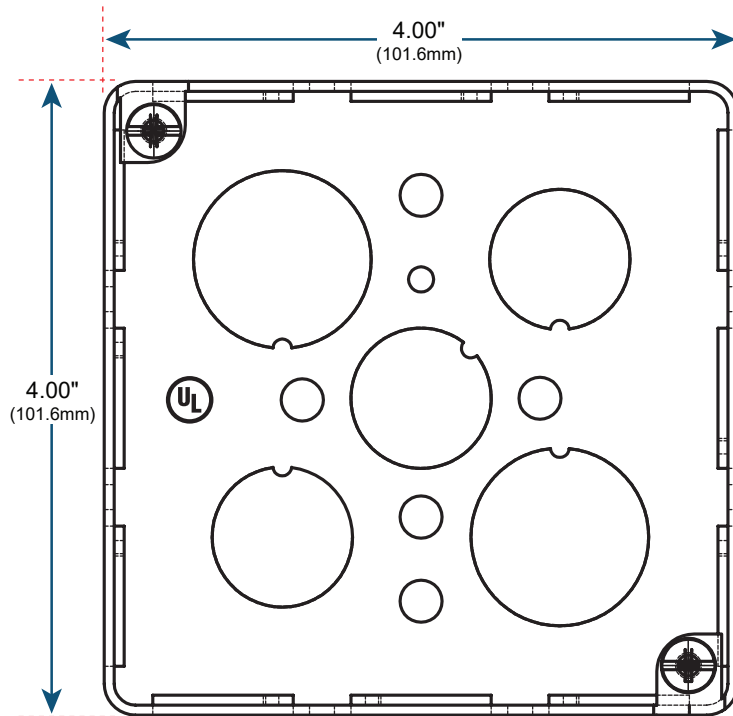
Customer Service

Phone: (714) 312-5080

Fax: (714) 312-5070

E-mail: CustomerCare@magnitudeinc.com

MECHANICAL DIAGRAMS



E-Series EZ96

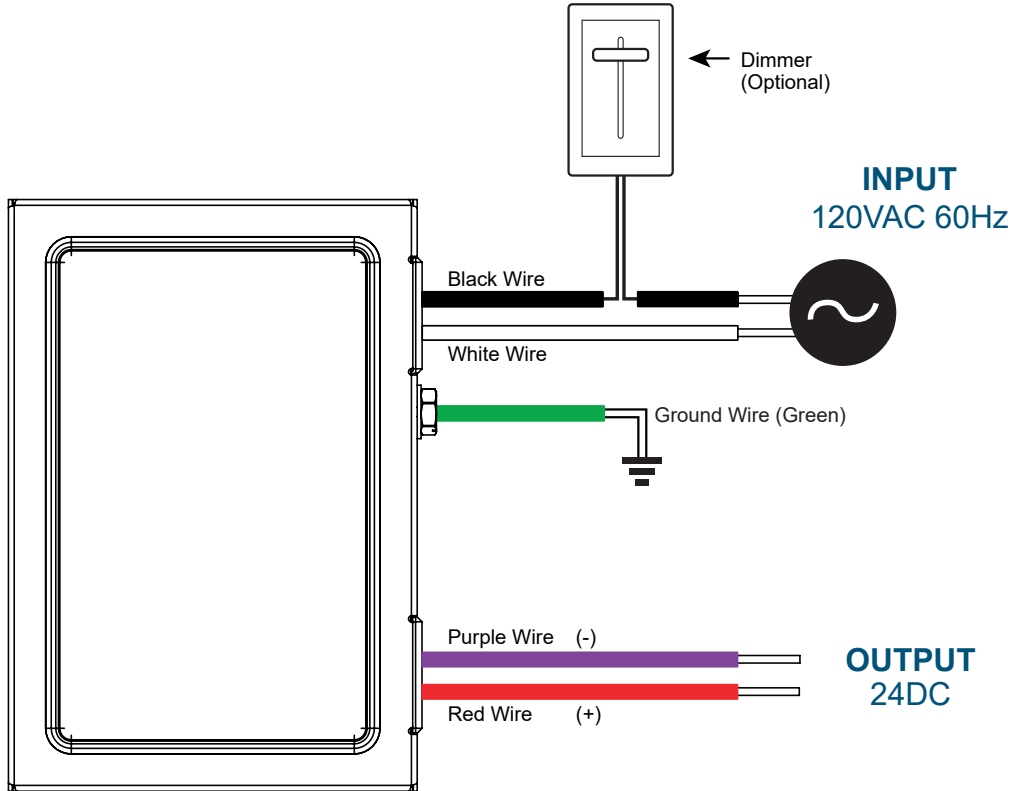
Easy J-Box Installation
 Constant Voltage LED Driver
 Phase-Cut Dimmable

Specification Sheet

Customer Service

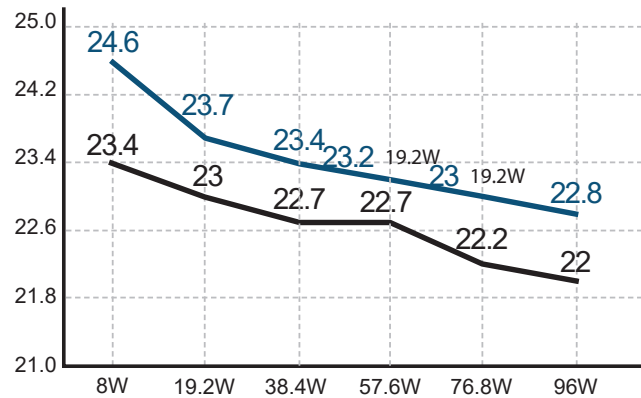
Phone: (714) 312-5080
 Fax: (714) 312-5070
 E-mail: CustomerCare@magnitudeinc.com

WIRING DIAGRAM



LOAD REGULATION

96W (24VDC)



— Output Voltage vs. Load
 — Output Voltage with a typical TRIAC Dimmer (on Max)