



Advance Xtitanium outdoor LED drivers are long-lasting and low maintenance, LED-based light sources are an excellent solution for all lighting applications. For optimal performance, these solutions require reliable drivers matching the long lifetime of the LEDs. The Advance Xtitanium LED outdoor driver portfolio offers a range of products specially designed to operate LED solutions in outdoor applications. These drivers are designed for hard-wired integration into outdoor luminaires for the most rugged applications. They operate to specification under wide temperature and electrical ranges to ensure reliability.

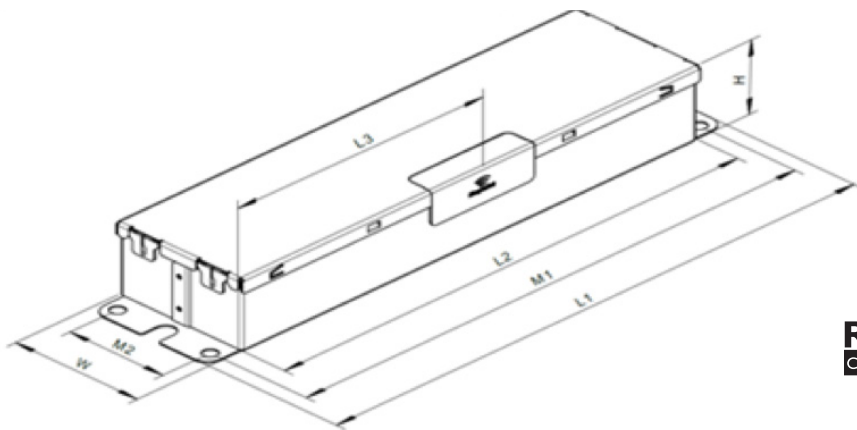
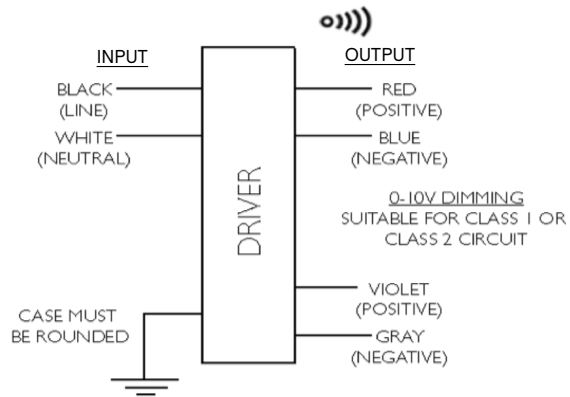
#### Specifications

Input Voltage (Vac)	Output Power (W)	Output Voltage (V)	Output Current (A)	Efficiency @ Max Load and 75°C Case	Max Case Temp. (°C)	Input Current (A)	Max. Input Power (W)	THD @ Max Load (%)	Power Factor @ Max Load	Surge Protection (Combi-Wave, KV)	Envir. Protection Rating	Dim	Dimming Range (with specified dimmers)	Min. Output Current (A)
120	95	20-54	0.1-2.75	88.4	Life - 85°C UL - 90°C	0.95	110	<10%	>0.95	6	UL damp & dry and Type HL	0-10V Analog Class 1 and 2 Wiring	5% ~ 100%	0.03
277				89.8		0.4								

#### Enclosure

	In. (mm)
Case Length (L2)	8.30 (210.8)
Case Width (W)	2.21 (56.2)
Case Height (H)	1.48 (37.6)
Mounting Length (M)	8.91 (226.3)
Mounting Width (M2)	1.69 (42.9)
Overall Length (L1)	9.43 (239.5)
Center of SimpleSet Antenna (L3)	4.41 (112.1)

#### Wiring Diagram



Class P  
LED class 2 output  
For Dry and Damp Location

Intertek  
Class P/ Class P  
Conforms to UL STD 8750  
Certified to CAN/CSA STD  
C22.2 No. 250.13

Type HL

# Xitanium XI095C275V054BSF2

## 95W 0.1–2.75A 0–10V Dimming

### Features

- 50,000+ hour lifetime<sup>1</sup>
- Programmable output current through SimpleSet
- Large operating window
- 6kV combi-wave surge rating to comply with ANSI C82.77-5 CAT C low

### Benefits

- Designed for Class 2 luminaires
- Fast and simple way of programming
- Perfectly suited for COB applications up to 2.6A
- Industry leading dimming range for 95W Class 2 product
- No external surge protection required to pass C82.77-5 CAT C low

### Application

- Area
- Roadway
- Parking garages
- Floodlights
- High-bay and mid-bay fixtures

### Electrical Specifications

All the specifications are typical and at 25°C Tcase unless specified otherwise.

### Product Data

Order Information	
Full Product Code	XI095C275V054BSF2 (Mid-Pack, 10pcs/Box), 12NC: 929001782413
Line Frequency	50/60Hz
Min. Mains Voltage Operational	108 Vac
Max. Mains Voltage Operational	305 Vac
Output Information	
Maximum Open Circuit Voltage	<= 60 Vdc (Class 2 Output)
Output Current Ripple (ripple = peak to average / average)	15% max @ max lout (Low frequency ripple ( ≤120Hz) content <5%)
Output Current Tolerance (in performance window)	<5%
Protections	Short Circuit, Open Circuit Protection for LED + and LED - and Temperature Foldback
Features	
0–10V Dimming	150µA (±3%) source current from driver See dim curve for detail.
AOC (Adjustable Output Current)	0.1A–2.75A via SimpleSet (Factory Default at 2.3A)
Additional SimpleSet Configurable Features	Adjustable Min Dim level, Adjustable Lumen Output, Adjustable Lumen Output Min, OEM Write Protection
Environment & Approbation	
Operating Ambient Temp. Range	–40°C to +55°C
Max Case Temperature (Tcase)	90°C
Agency Approbations	UL 8750, CSA 250.13, Class P (UL, CSA, ETL)
Electromagnetic Compliance	FCC Title 47 Part 15 Class A for 120–277 AC Mains input.
Audible Noise	<24dB Class A
Weight	2.1 Lbs / 0.95 kgs

1. Advance Xitanium LED drivers are manufactured to engineering standards correlating to a designed and average life expectancy of 50,000 hours of operation at maximum rated case temperature. Minimum 90% survivals based on MTTF modeling.

# Xitanium XI095C275V054BSF2

95W 0.1-2.75A 0-10V Dimming

## Electrical Specifications

All the specifications are typical and at 25°C ta unless specified otherwise.

### 0-10V Dimming Curve

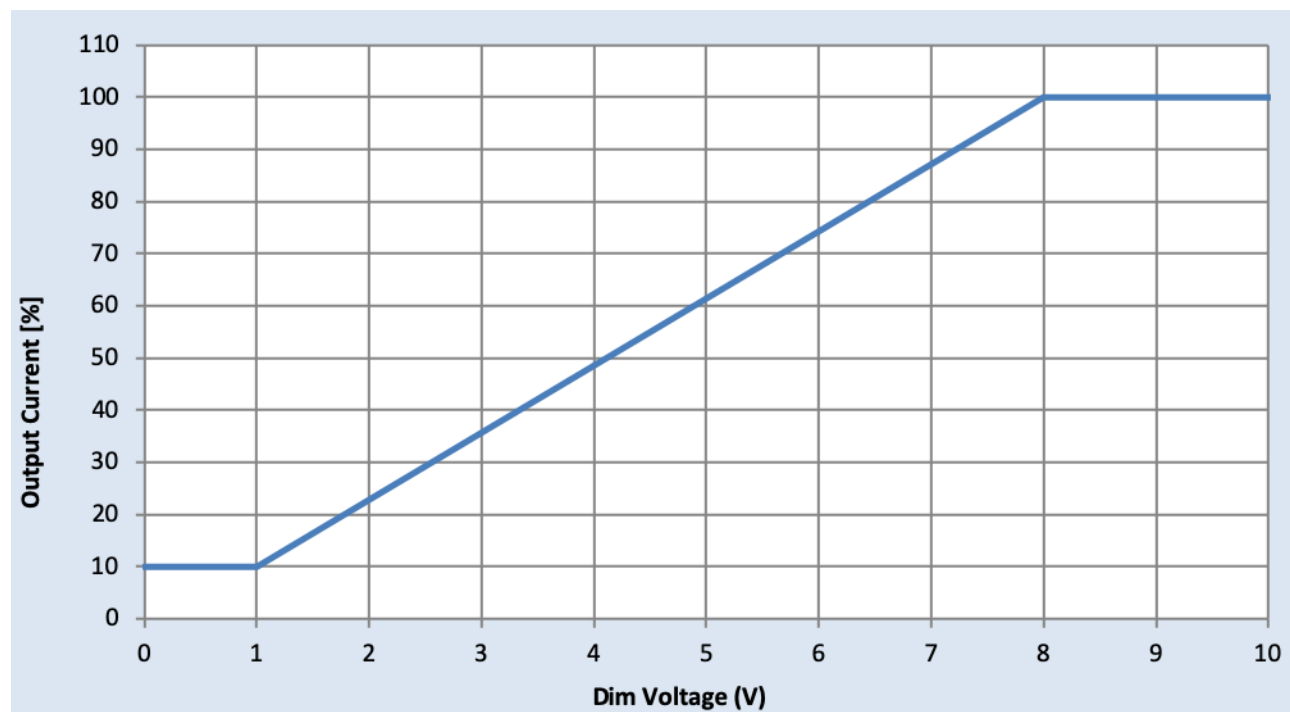
Dimming source current from the driver: 150µA (@ 0<Vdim<8V)

Minimum dim level: Factory default 10% of lout setting as default

Maximum output voltage on the dimming wires: 12V

### Approved Dimmer List

Manufacturer	Manufacturer Part Number
Lutron	Visit <a href="http://www.lutron.com/advance">www.lutron.com/advance</a> for a list of dimmers (Mark VII) that will work with this driver
Leviton	IllumaTech IP7 series
Advance	Sunrise - SR1200ZTUNV



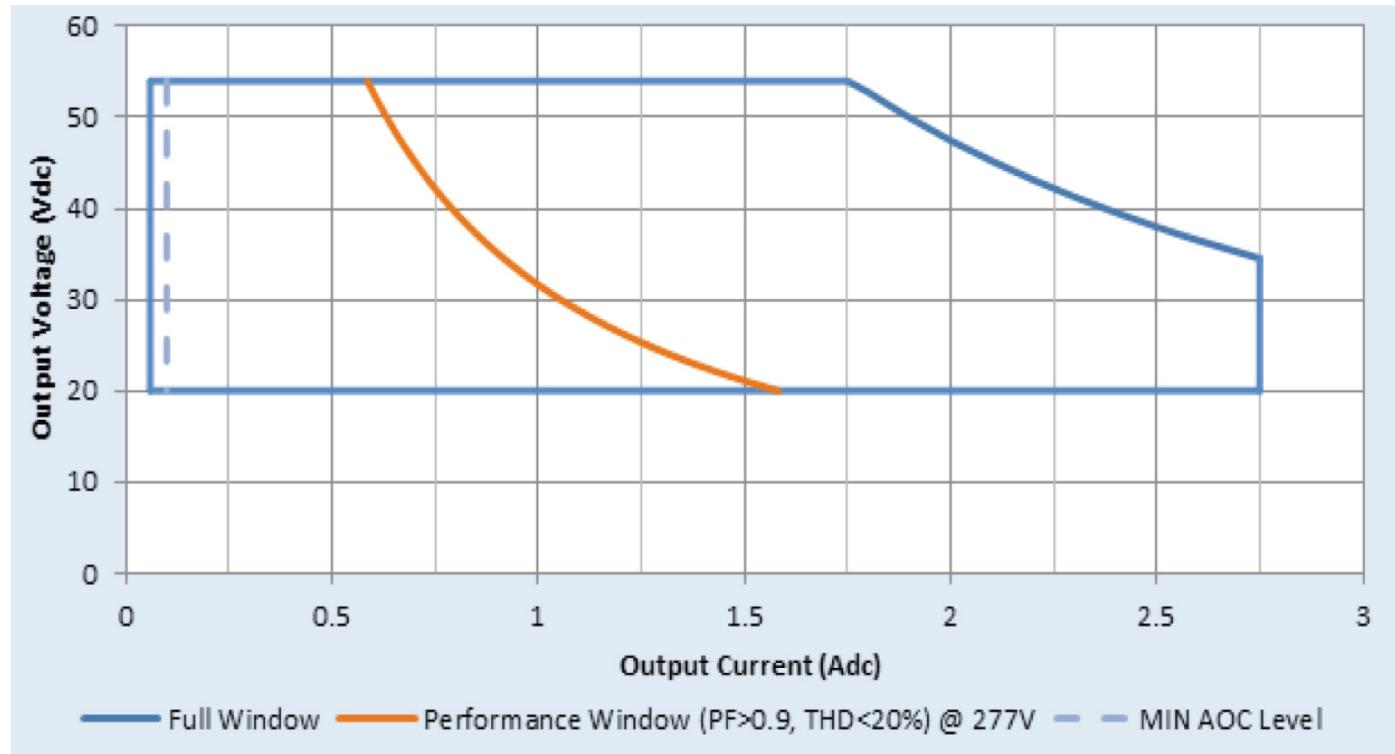
# Xitanium XI095C275V054BSF2

95W 0.1-2.75A 0-10V Dimming

## Electrical Specifications

All the specifications are typical and at 25°C ta unless specified otherwise.

## Driver Output Window



## Notes

1. Factory default output current is 2.3A.
2. To get a 100% to 5% dimming range, the output current setting through AOC should be  $\geq 600\text{mA}$ .
3. Factory default minimum dimming level is 10%. This can be adjusted between 5% and 100% using Advance MultiOne.

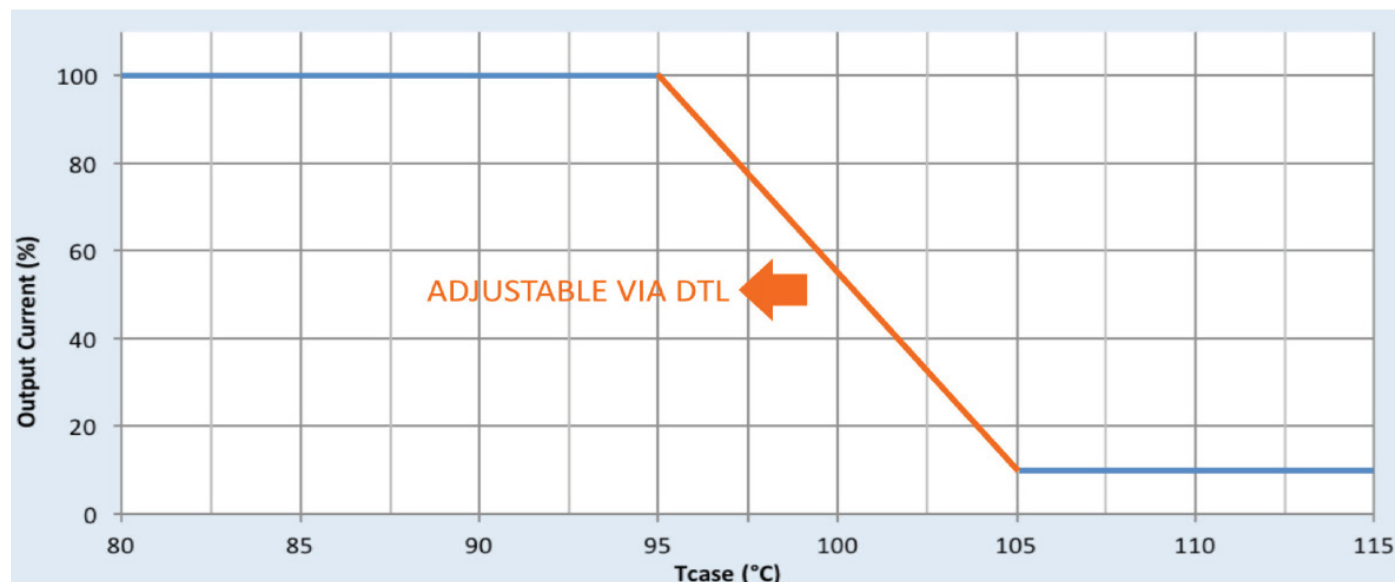
# Xitanium XI095C275V054BSF2

95W 0.1-2.75A 0-10V Dimming

## Electrical Specifications

All the specifications are typical and at 25°C ta unless specified otherwise.

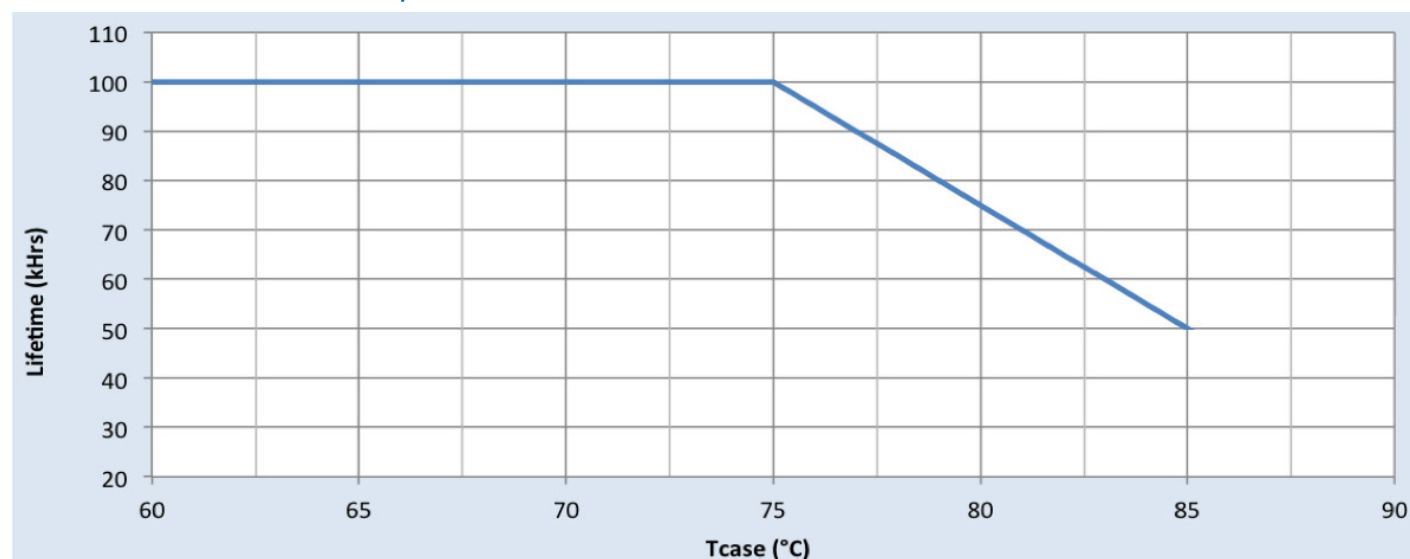
## Output Current Vs. Driver Case Temperature



## Note

There is  $\pm 5^\circ\text{C}$  tolerance on the driver case temperature.

## Driver Lifetime vs. Driver Case Temperature



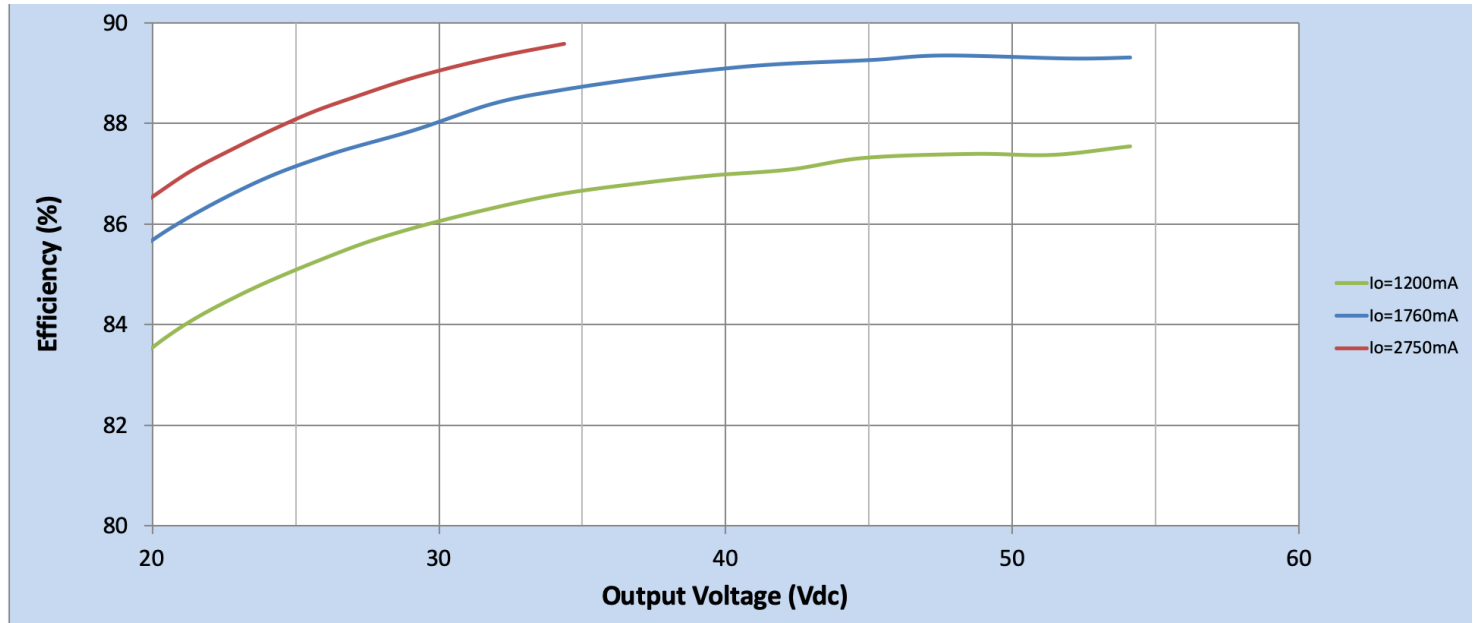
# Xitanium XI095C275V054BSF2

95W 0.1-2.75A 0-10V Dimming

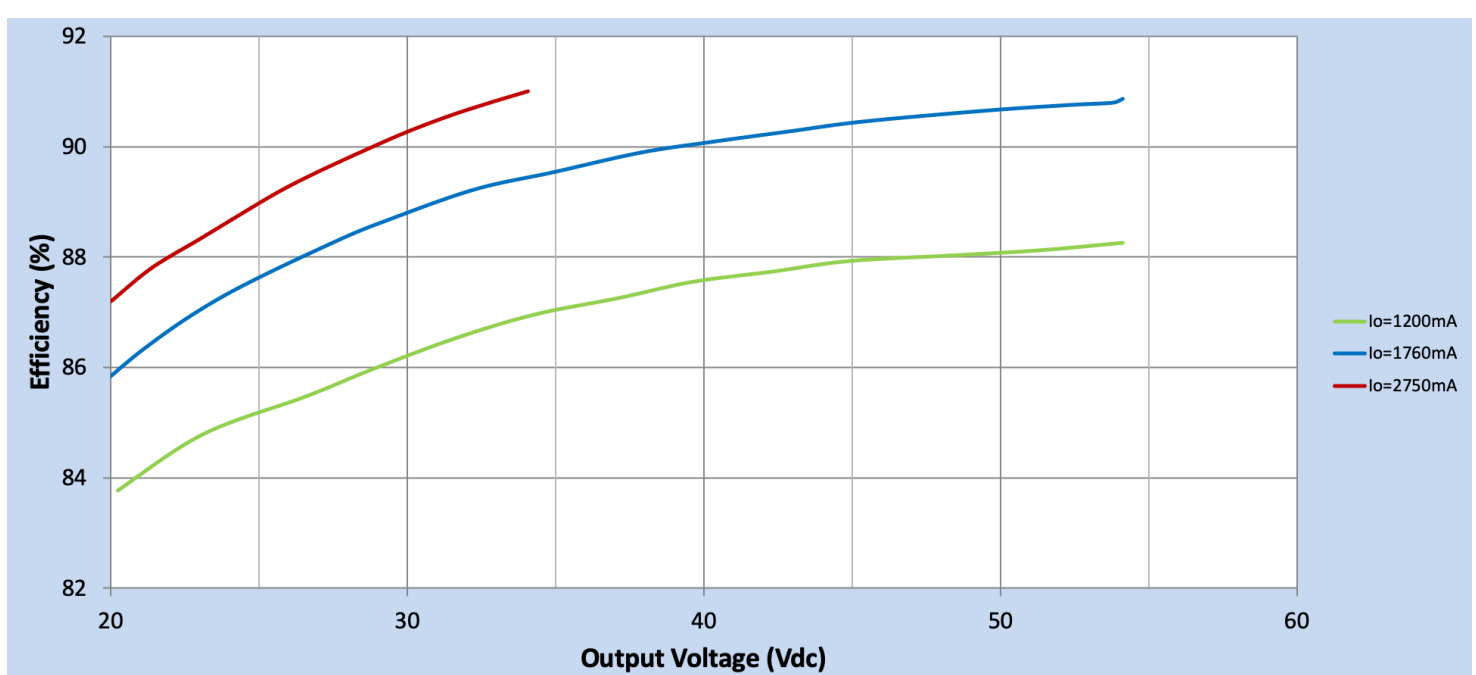
## Performance Characteristics

Based on measurements on a typical sample at 75°C case. The accuracy of the measurements is within the tolerance of the measurement instruments.

### Efficiency Vs. Output Voltage at 120Vac



### Efficiency Vs. Output Voltage at 277Vac



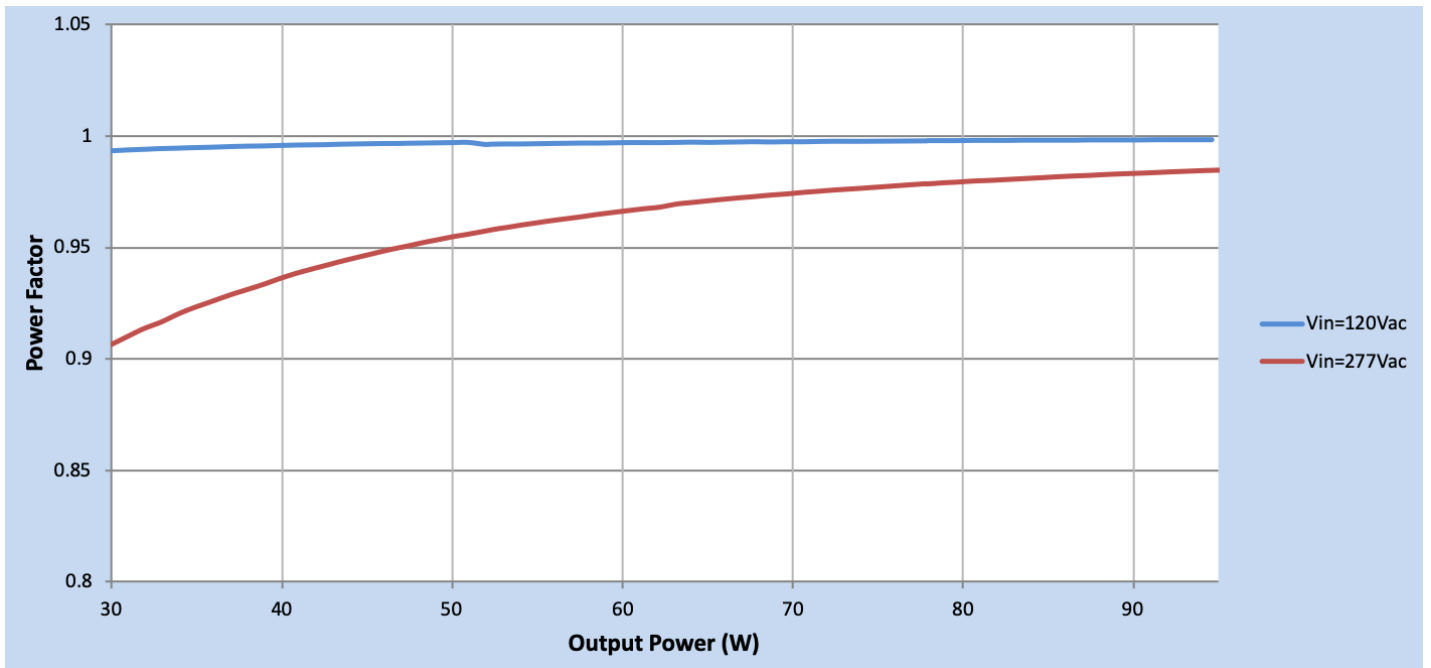
# Xitanium XI095C275V054BSF2

95W 0.1-2.75A 0-10V Dimming

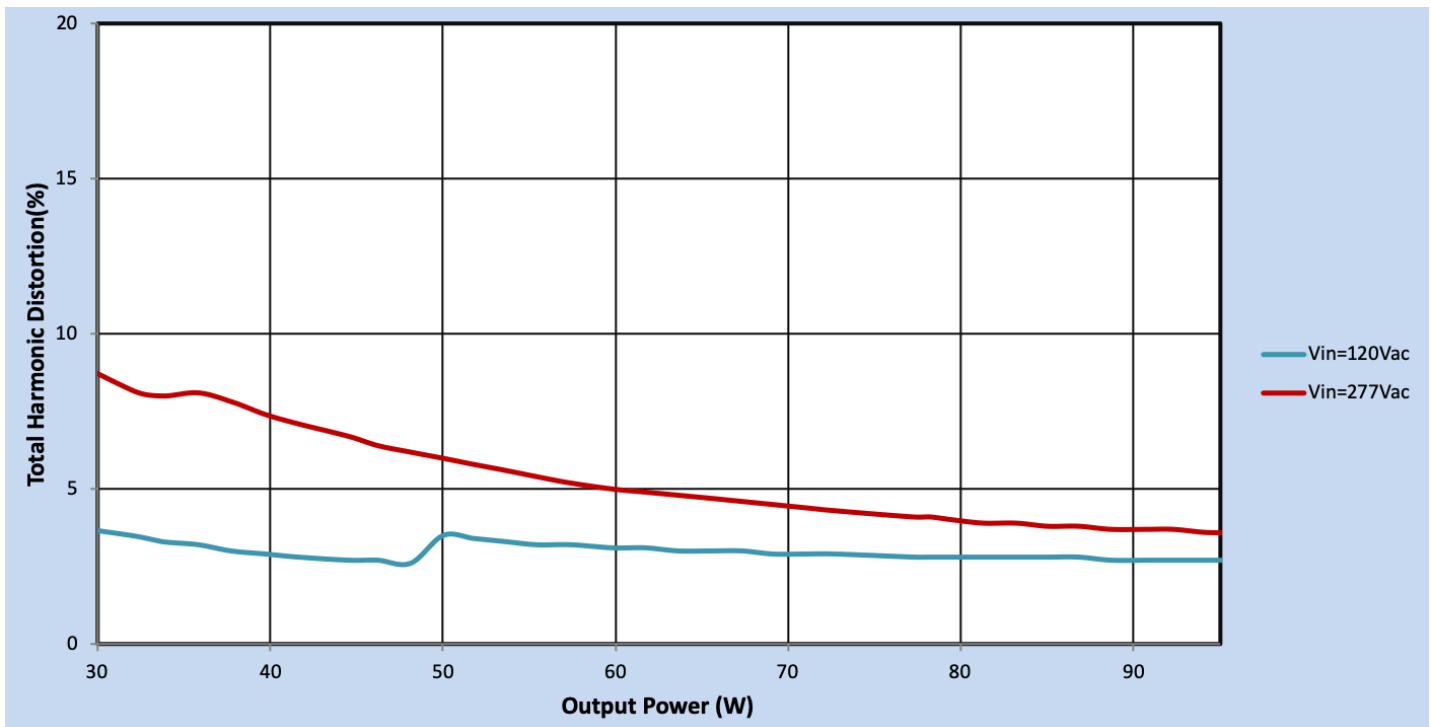
## Performance Characteristics

Based on measurements on a typical sample at 75°C case. The accuracy of the measurements is within the tolerance of the measurement instruments.

## Power Factor Vs. Output Power



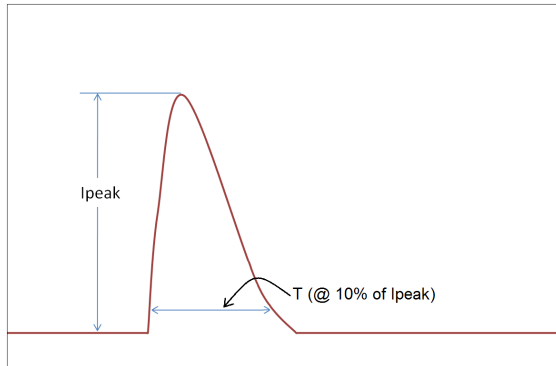
## Total Harmonic Distortion (THD) Vs. Output Power



# Xitanium XI095C275V054BSF2

95W 0.1-2.75A 0-10V Dimming

## Inrush Current Info



$V_{in}$	$I_{peak}$	T (@ 10% of $I_{peak}$ )
120 Vrms	35.9A	227 $\mu$ S
277 Vrms	85.6A	222 $\mu$ S

Inrush current is measured at peak of the corresponding line voltage. Source impedance per NEMA 410.

## Lightning Surge Info

ANSI Surge Type	Differential Mode (L-N)	Common Mode (L-G, N-G, L&N-G)
1.2/50 $\mu$ s Combination Wave (w/t 2 $\Omega$ )	6kV	6kV

## Isolation

Isolation	Input	Output	0-10V	Enclosure
Input	NA	2xU+1kV	2.5kV	2xU+1kV
Output	2xU+1kV	NA	2.5kV	2xU+1kV
0-10V	2.5kV	2.5kV	NA	2.5kV
Enclosure	2xU+1kV	2xU+1kV	2.5kV	NA

U = Max. input voltage

The information presented in this document is not intended as any commercial offer and does not form part of any quotation or contract.

