

## OPTIC LENS/3 CCT & 3 WATTAGE ADJUSTABLE LED SHOEBOX LIGHT LR41130, LR41132

To avoid the risk of fire, explosion, or electric shock, this product should be installed, inspected and maintained by a qualified electrician only, in accordance with all electrical codes.

**To avoid electric shock:**

Be certain electrical power is OFF before and during installation and maintenance  
Luminaire must be connected to a wiring system with an equipment-grounding conductor.

**To avoid explosion:**

Make sure the supply voltage is the same as the rated luminaire voltage  
Do not install where marked operating temperatures exceed the ignition temperature of the hazardous atmosphere  
Do not operate in ambient temperatures above those indicated on the luminaire nameplate

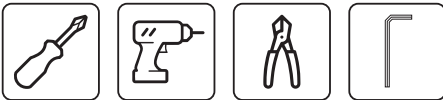
**Suitable for use in the following locations:**

Ambient temp: -40° ~ +50°C (-40° ~ +122°F)  
Wet locations

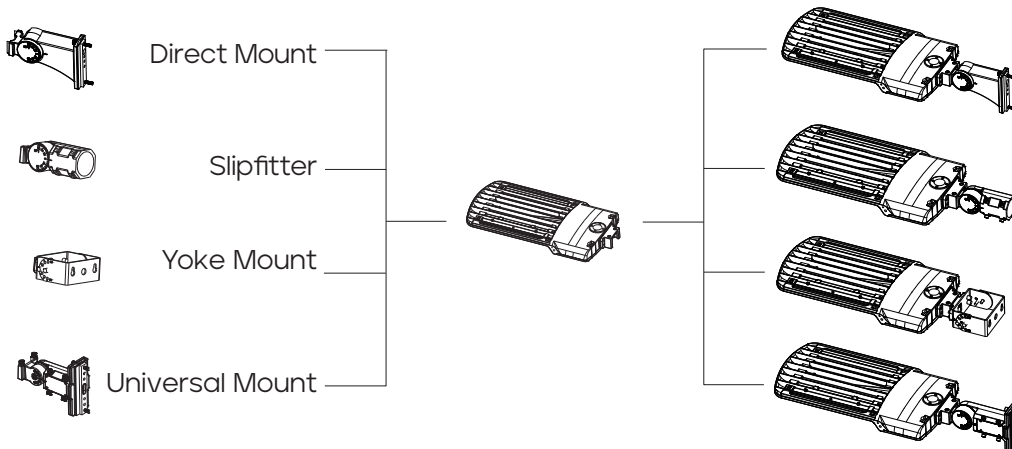


### Tools Needed

A screwdriver, drill, a pair of wire strippers, Allen Wrench/Hex Key and fasteners (hardware provided for pole mounting) appropriate for the mounting surface will be needed to install the Aquila.



1 The following options are available for mounting the led area light:

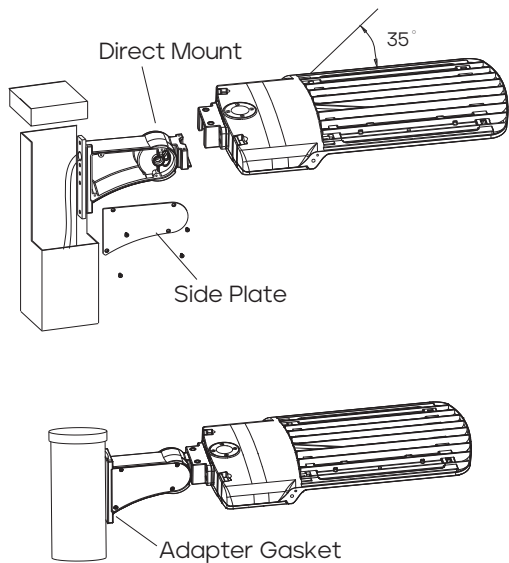


2 Carefully unpack fixture from packaging and inspect for any damage caused in shipping.

3 Turn off power at appropriate switch/breaker.

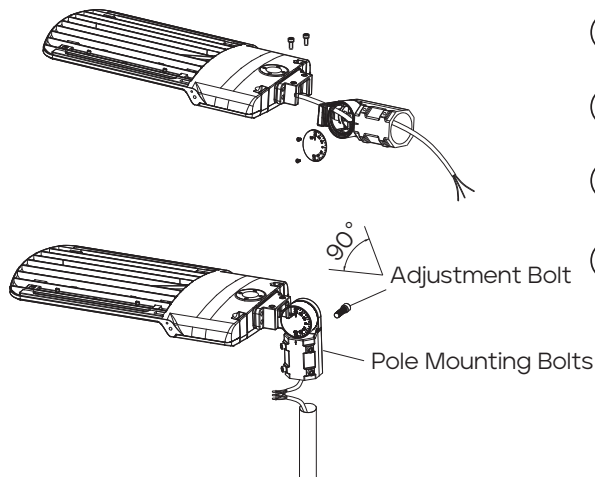
4 Locate desired positioning for the fixture on the mounting surface.

## Mounting with Direct Mount



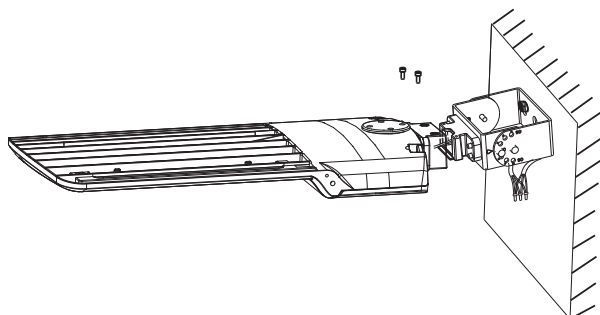
- ① Prepare pole by drilling per the mounting diagram (see below)
- ② Remove side plate from arm and attach to pole with included hardware and adapter gasket. Note: Adapter gasket not required for round pole. Use flat gasket instead.
- ③ Route fixture wiring through arm and mount fixture to arm using dovetail feature. Secure with included hardware.
- ④ Connect fixture wires to supply wires per the wiring diagram. Close the side plate when complete.
- ⑤ Adjust angle of fixture by loosening the bolt with a hex key ( $\frac{1}{4}$ " or 10mm) and move fixture ( $0^\circ$  to  $+35^\circ$ ) then tighten at desired angle.

## Mounting with slipfitter



- ① Remove the side cover from the arm hinge and pull fixture wires through bracket.
- ② Install the arm to the fixture using the dovetail feature and reattach the side cover.
- ③ Loosen four mounting bolts on the mounting arm, connect wiring per wiring diagram, and feed wires into pole.
- ④ Position fixture on the pole and tighten all (4) four screws evenly on the side of the arm. Adjust as needed from  $0^\circ$ - $90^\circ$  and lock position with bolt.

## Mounting with yoke

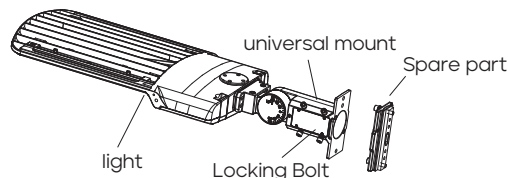


- ① Drill holes in mounting surface per mounting diagram.
- ② Install expansion bolts and fix yoke to wall.
- ③ Position fixture on yoke and tighten two (2) bolts.
- ④ Pull power supply wires and connect wires following wiring diagram.
- ⑤ Adjust angle of fixture by loosening the bolt with a hex key and then tighten at desired angle ( $0^\circ$  -  $90^\circ$ ).

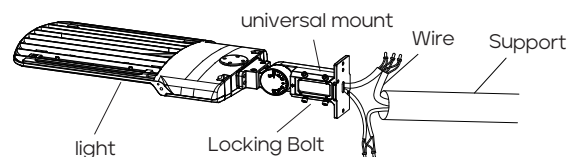
## Mounting with Universal Mount

### a. Adjustable fitter mount

- ① Remove the spare parts from universal mount. (Fig.1)
- ② Loosen four mounting bolts on the universal mount, connect wires per wiring diagram, and feed wires into pole. (Fig.2)
- ③ Position fixture on the pole and tighten all four screws evenly on the side of the mount. Adjust as needed from 0°-90 and lock position with bolt. (Fig.2)



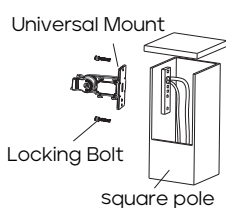
(Figure 1)



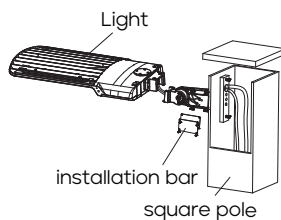
(Figure 2)

### b. Direct mount

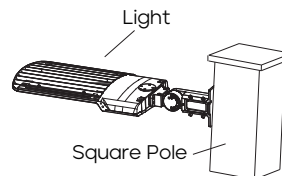
- ① Prepare pole by drilling per the mounting diagram (see below)
- ② Remove side plate from arm and attach to pole with included hardware and adapting plate. Note: use the adapting plate for round pole installation (Fig.6)
- ③ Route fixture wiring through universal mount and install fixture to the mount using dovetail features. Secure with included hardware.
- ④ Connect fixture wires to supply wires per the wiring diagram. Close the side plate when complete.
- ⑤ Adjust as needed from 0°-90° and lock position with bolt.



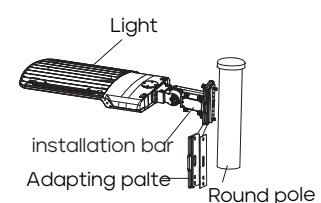
(Figure 3)



(Figure 4)



(Figure 5)

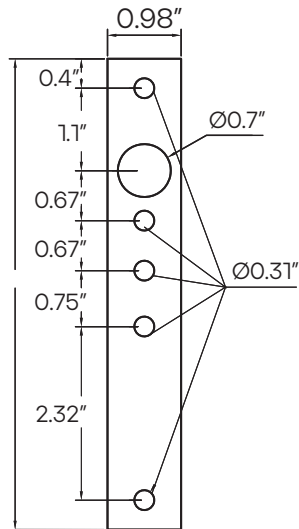


(Figure 6)

## Mounting Dimensions

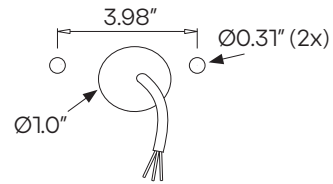
### Drill Pattern

Direct Mount  
Universal Mount

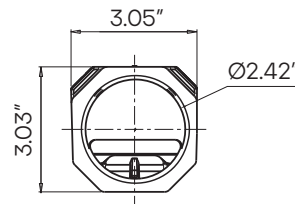


### Drill Pattern

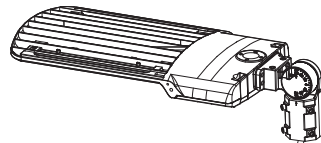
Yoke



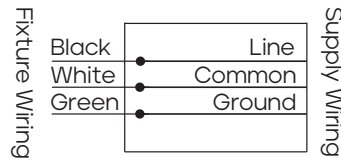
### Tenon Mount Dimensions



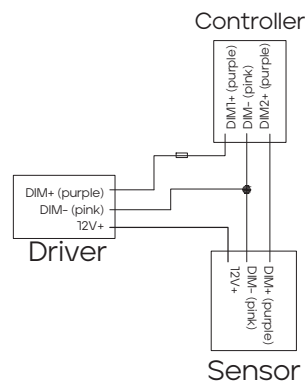
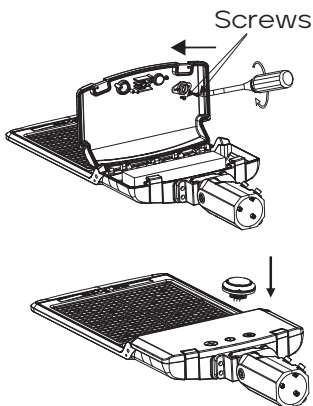
## Wiring Diagram



Black/Brown: AC Line  
Green/Yellow: GND  
White/Blue: AC Neut.

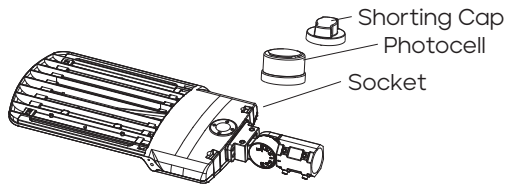


## Motion Sensor Base and Sensor Installation



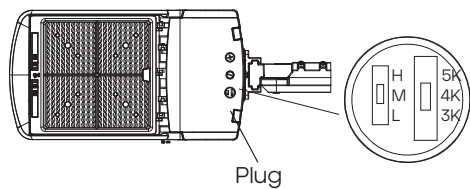
- ① Open driver box cover by undoing latches.
- ② Place sensor base on driver cover and secure with screws and connect cables as shown.
- ③ Close the driver cover and redo latches.
- ④ For sensor installation, screw sensor into socket. Do not overtighten.

## Photocell Installation



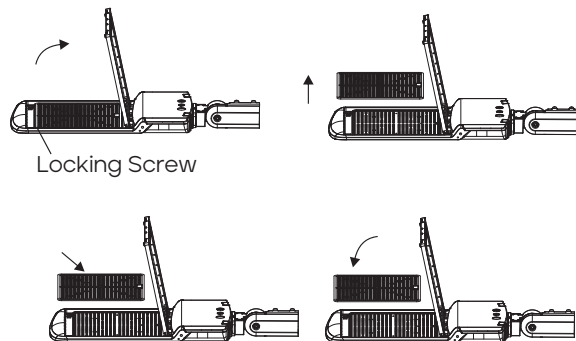
- ① Remove shorting cap from socket.
- ② Insert photocell into socket and twist to lock in.

## CCT and Wattage Adjustment



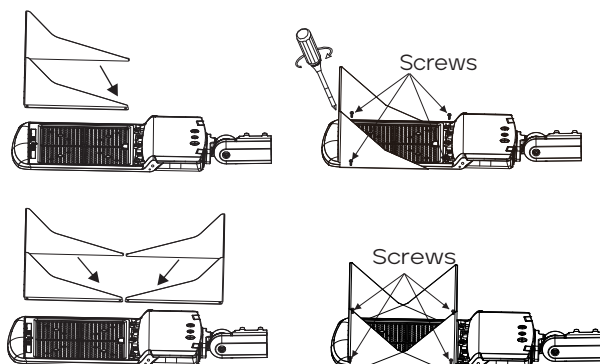
- ① Remove plug from bottom of fixture.
- ② Slide CCT and Wattage switches to desired setting.
- ③ Reinstall plug and tighten fully.

## Lens Change



- ① Before installation lay fixture on a stable surface.
- ② Remove locking screw from back of fixture, undo latches on front of fixture and lift lens frame. Remove existing lens.
- ③ Install new lens, close frame, fasten latches and reinstall screw.

## Glare Shield Installation



- ① Note: Glare shields may be installed on front, back, or front and back.
- ② Align desired shield(s) to mounting locations on face of fixture
- ③ Secure glare shield(s) with four (4) included screws.