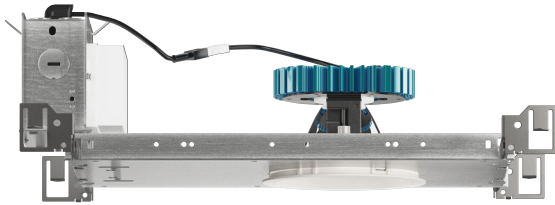


alphabet

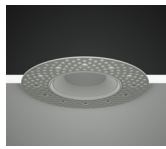
PROJECT INFORMATION		
JOB NAME		TYPE
ORDERING CODE		

NU4

4" Round Downlight Standard White



Trim



Trimless



Trimless Millwork

20° - 65° BEAM (Note: Specifications are subject to change without notice)		
14mm COB PERFORMANCE DATA		
LED LIGHT ENGINE	NOMINAL DELIVERED LUMENS	SYSTEM WATTAGE
10LM	990LM @30K/80CRI	9W
15LM	1485LM @30K/80CRI	12W
20LM	2095LM @30K/80CRI	17W
25LM	2540LM @30K/80CRI	21W
30LM	3090LM @30K/80CRI	26W
35LM	3580LM @30K/80CRI	31W
40LM	4180LM @30K/80CRI	37W
10LM	840LM @30K/90CRI	9W
15LM	1260LM @30K/90CRI	12W
20LM	1780LM @30K/90CRI	17W
25LM	2160LM @30K/90CRI	21W
30LM	2620LM @30K/90CRI	26W
35LM	3040LM @30K/90CRI	31W
40LM	3550LM @30K/90CRI	37W
Notes	Delivered lumens based on 25D optic with no lens, (see page 2)	

8°-12° BEAM (Note: Specifications are subject to change without notice)		
6mm COB PERFORMANCE DATA		
LED LIGHT ENGINE	NOMINAL DELIVERED LUMENS	SYSTEM WATTAGE
10LM	990LM @30K/80CRI	10W
15LM	1460LM @30K/80CRI	15W
20LM	1970LM @30K/80CRI	23W
10LM	840LM @30K/90CRI	10W
20LM	1670LM @30K/90CRI	23W
Notes	Delivered lumens based on 8D optic no lens, (see page 2)	



FEATURES

- 3/4" bezel regress with 1/16" micro flange
- 8° - 65° optical beam control
- UGR < 19
- 110 LPW average
- Glare control, specialty optics, trim options, and custom finishes available
- Microban™ antimicrobial finish available on all exposed painted surfaces

LED

- 90 CRI: SDCM = 2-step MacAdam Ellipse, Lumen Maintenance: L₇₀ > 66,000 hrs
- 80 CRI: SDCM = 2-step MacAdam Ellipse, Lumen Maintenance: L₇₀ > 66,000 hrs

DIMMING AND CONTROLS

- eldoLED flicker free 0-10V dimming to 0% and 1%
- eldoLED flicker free DALI dimming to 0% and 1%
- DMX dim to zero
- Lutron Hi-lumen 2-Wire (Eco System) dimming to 0.1% and 1%
- Leading & trailing edge (Triac/ELV) dimming to 1%
- Casambi bluetooth dimming to 1%
- nLight control interface dimming to 0%

LISTING

- ULus Listed to UL1598 & UL2108; cUL Listed to CSA C22.2 #250.0
- IP65 with lens - Suitable for wet locations with lens - Suitable for damp locations without lens
- Non-conductive, dead-front construction (shower approved)
- NSF/ANSI-2 with lens (Non-Food and Splash Zones)
- 5 Year Limited warranty

CONSTRUCTION

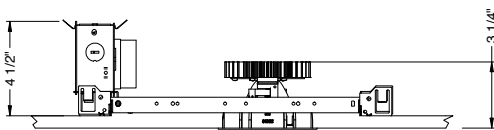
- Lexan™ (PC) highly resistant to impact and heat (240°F)
- Optimal material for wireless BLE signal connectivity
- Shatter proof acrylic bezel lens
- Electrocoated 16-gauge cold-rolled steel construction
- Accommodates ceiling thickness from 1/8" to 1-5/8"

ELECTRICAL

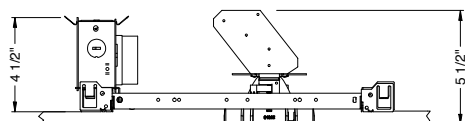
- 120V-277V, 120 only Triac / ELV
- Power factory ≥ 0.9
- 2kV driver input surge protection
- Remote and Integral (ITS) emergency test switch
- 7W, 10W (T20 CEC) and 12W EM 90min battery
- Max. ambient installation temperature 95°F (35°C)

FIXTURE HEIGHT

10LM - 30LM LOW LUMENS



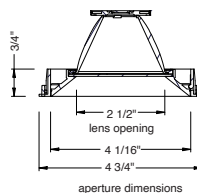
35LM - 40LM HIGH LUMENS



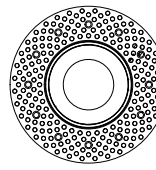
TRIMMED



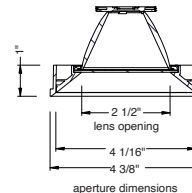
ceiling cutout
4-1/2" diameter
ceiling thickness
1/8" to 1 5/8"



TRIMLESS



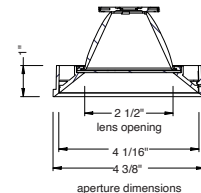
ceiling cutout
4-1/2" diameter
ceiling thickness
3/8" to 1 3/4"



MILLWORK



ceiling cutout
4-3/8" diameter
ceiling thickness
1/2" to 1 3/4"



alphabet

PROJECT INFORMATION		
JOB NAME		TYPE
ORDERING CODE		

8°- 65° BEAM ORDERING CODE

SERIES	NU4	NU4									
TYPE	RD	round downlight									
	RDT	round downlight trimless									
	RDTMW	round downlight trimless millwork									
LED	SW	standard white									
DELIVERED LUMENS	10LM	990 lm									
	15LM	1485 lm									
	20LM	2095 lm									
	25LM	2540 lm									
	30LM	3090 lm									
	35LM	3580 lm									
	40LM	4180 lm									
Standard Configuration: 3000K 80CRI 25D, NL Calculated Delivered Lumens = [Delivered Lumen Value] x [CCT Multiplier] x [Reflector Multiplier]											
CCT	27K	2700K	CCT	2700K	3000K	3500K	4000K				
	30K	3000K	CRI	80+	90+	80+	90+				
	35K	3500K	CCT MULTIPLIER FOR LUMEN OUTPUT	0.96	0.81	1.00	0.85	1.03	0.88	1.06	0.91
	40K	4000K									
CRI	80	80 CRI									
	90	90 CRI									
OPTIC & LM MULTIPLIER SEE PAGE 5, 6	8D ¹	8 degrees	(1.00)								
	12D ¹	12 degrees	(1.00)								
	20D	20 degrees	(0.99)								
	25D	25 degrees	(1.00)								
	35D	35 degrees	(0.99)								
	50D	50 degrees	(0.99)								
BEZEL LENS SEE PAGE 3	65D	65 degrees	(0.99)								
	NL ²	no lens	(1.00)								
	CL	clear lens	(0.98)								
	DL	diffused lens	(0.91)								
	E ³	elliptical beam spread	(0.92)								
	HCL ⁴	honeycomb louver	(0.85)								
HET	high efficiency textured lens, similar to Solite™	(0.92)									
SBL	smoothing beam lens	(0.92)									
Color lenses (amber, blue, green, red) see page 4.											
TRIM COLOR SEE PAGE 3	BK	black									
	WH	white									
	MC	matte chrome									
	BZ	bronze									
	WT	wheat									
CC ⁵	custom color, consult factory for details										
Antimicrobial finish, add AM to black, white or matte chrome i.e. BKAM.											
Not applicable to trimless option. Do not include in trimless ordering code.											
BEZEL COLOR SEE PAGE 3	BK	black	(0.98)								
	WH	white	(1.00)								
	MC	matte chrome	(0.99)								
	BZ	bronze	(0.98)								
	WT	wheat	(0.99)								
	CC ⁵	custom color, consult factory for details									
Antimicrobial finish, add AM to black, white or matte chrome i.e. BKAM.											

8°- 65° BEAM ORDERING CODE

MOUNTING OPTIONS SEE PAGE 8, 9	NC	new construction with ceiling fitting plate
	IC ⁶	insulation contact housing
	ICAT ⁶	insulation contact/airtight housing
	CP ⁶	chicago plenum housing
	RET	retrofit, no ceiling fitting plate
VOLTAGE	I20	120V
	UNV	120V-277V
DIMMING	DIM10	eldoLED flicker free 0-10V dimming to 1%
	DIM10Z	eldoLED flicker free 0-10V dimming to 0%
	DALI	eldoLED flicker free DALI dimming to 1%
	DALIZ	eldoLED flicker free DALI dimming to 0%
	DMX-RJ45	DMX control dimming to 0.1% with RJ45 connection
	DMX-WL	DMX control dimming to 0.1% with wire lead connection
	DMX-XLR	DMX control dimming to 0.1% with XLR 5pin connection
	LUT	Lutron Hi-lume Ecosystem dimming to 1%, Soft-on & Fade-to-Black
	LUTP ⁸	Lutron Hi-lume Premier Ecosystem dimming to 0.1%, Soft-on & Fade-to-Black
	ELV1 ⁷	leading & trailing edge (Triac/ELV) dimming to 1%
ELECTRICAL OPTIONS	NLT	nLight control interface: standard Cat-5/RJ45 connection (female), dimming to 0%
	CAS	Casambi Bluetooth control with flicker free 1% dimming
	EM7 ⁹	emergency battery backup, 90 minutes at 7W to LED
	EM12 ⁹	emergency battery backup, 90 minutes at 12W to LED
	EM10CA20 ⁹	remote emergency battery backup, 90 minutes at 10W to LED, CA title 20

ADDITIONAL MOUNTING INFO

New Construction Bar Hangers (included)	Mounting Length: 14-3/4" to 26"
Extension Kit p/n: K20266 (ordered separately, 1 per fixture)	Extends a pair of Bar Hangers Total Mounting Length: 29" to 48"

YOUR COMPLETED ORDERING CODE

Follow the steps to specify your fixture, example:
NU4 - RD - SW - 20LM - 35K - 90 - 8D - NL - WH - WH - NC - UNV - DIM10 - EM7

NOTES

- 8D/12D available in 10LM/15LM/20LM.
- NL option does not meet requirements for AT/DF/WET/NSF listings. Lensing cannot be added in the field.
- Elliptical lens not available with 8D/12D optic options. Actual beam distributions [20D= 35° x 60°, 25D= 40° x 65°, 35D= 45° x 70°, 55D= 55° x 80°]
- HCL not available with lens.
- Custom set up fee plus minimum quantity required per color.
- IC/ICAT/CP not available in 40LM.
- ELV1 (120V) not available in 10LM.
- LUTP not available in 25LM/30LM/40LM.
- For integrated test switch add "ITS" after emergency backup code, i.e. EM12ITS. Test switch is mounted in the bezel of the fixture.

* EldoLED and DMX uses logarithmic dimming curve as standard. For linear dimming curve, add "LIN" after dimming code, i.e. DIM10LIN.

alphabet

PROJECT INFORMATION		
JOB NAME		TYPE
ORDERING CODE		

TRIM OPTIONS

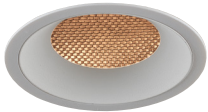
TRIM/BEZEL COLORS



OPTICAL OPTIONS

- UGR calculation based on CIE 117-1995; room size: 4H X 8H, reflectance: 70/50/20;
- UGR calculation based on 15LM fixtures, unless otherwise noted.

REFLECTOR OPTIC ACCESSORY Honeycomb Louver



OPTIC	BEAM ANGLE	UGR
8D	7.8	10.9
12D	11.3	23.5
20D	17.4	12.5
25D	22.2	13.9
35D	32.4	16.5
50D	44.9	13.4
65D	52	15.5

NL No Lens



OPTIC	BEAM ANGLE	UGR
8D	7.8	14.2
12D	11.9	13.8
20D	18	13.6
25D	22.8	13.1
35D	36.2	14.5
50D	49.2	18.3
65D	64.5	18.8

CL Clear Lens



OPTIC	BEAM ANGLE	UGR
8D	7.9	13.7
12D	12.1	13.3
20D	18	13.3
25D	22.8	12.8
35D	36.2	14.2
50D	49.2	18.1
65D	64.6	18.5

DL Diffused Lens



OPTIC	BEAM ANGLE	UGR
20D	39.4	19.5
25D	42.4	19.8
35D	50.6	20.8
50D	56.7	21.4
65D	66.7	23.3

HET High Efficiency Textured Lens

High Efficiency Textured Lens



OPTIC	BEAM ANGLE	UGR
20D	22.5	13.8
25D	27	14
35D	38.8	15.8
50D	49.8	16.5
65D	60.4	19.5

SBL Smoothing Beam Lens

Smoothing Beam Lens



OPTIC	BEAM ANGLE	UGR
8D	10.2	12.8
12D	13.2	12.9
20D	19.3	13
25D	24.3	13.1
35D	37.2	14.8
50D	51.2	15.6
65D	62.2	18.8

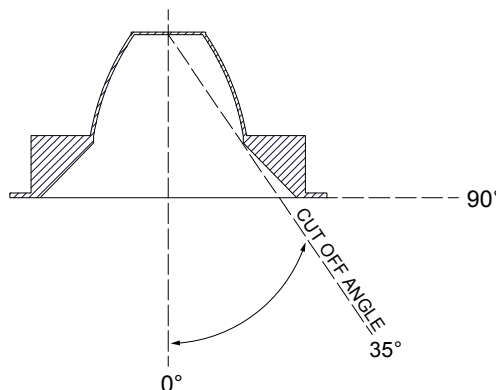
GLARE CONTROL

CUT-OFF ANGLE

Visual comfort is achieved with a lower cut-off angle due to improved glare control. The smaller the cut-off angle, the easier it is on the eye.

Alphabet downlights have been thoughtfully engineered to eliminate glare while still delivering functional illumination.

- Cutoff angle of CL is 35 degrees;



alphabet

PROJECT INFORMATION		
JOB NAME		TYPE
ORDERING CODE		

TRIM OPTIONS

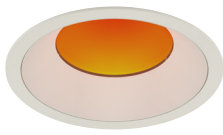
TRIM/BEZEL COLORS



OPTICAL OPTIONS

- UGR calculation based on CIE 117-1995; room size: 4H X 8H, reflectance: 70/50/20;
- UGR calculation based on 15LM fixtures, unless otherwise noted.

AMBER



OPTIC	MULTIPLIER	BEAM SPREAD
20D	0.485	18°
25D	0.484	22°
35D	0.485	35°
50D	0.48	50°
65D	0.473	60°

AVERAGE LUMENS: 2000LM 1880 CCT

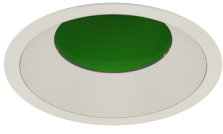
RED



OPTIC	MULTIPLIER	BEAM SPREAD
20D	0.04	18°
25D	0.04	22°
35D	0.04	35°
50D	0.04	50°
65D	0.038	60°

AVERAGE LUMENS: 168LM

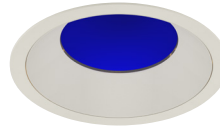
GREEN



OPTIC	MULTIPLIER	BEAM SPREAD
20D	0.202	18°
25D	0.202	22°
35D	0.204	35°
50D	0.2	50°
65D	0.196	60°

AVERAGE LUMENS: 850LM

BLUE



OPTIC	MULTIPLIER	BEAM SPREAD
20D	0.051	18°
25D	0.051	22°
35D	0.053	35°
50D	0.05	50°
65D	0.049	60°

AVERAGE LUMENS: 210LM

Add AM / BL / GR / RD to bezel lens ordering code section.

Example: NU4 - RD - SW - 10LM - 30K - 80 - 35D - BL - WH - WH - NC - UNV - DIM

alphabet

PROJECT INFORMATION		
JOB NAME		TYPE
ORDERING CODE		

PHOTOMETRIC DATA

20LM CCT MULTIPLIERS		
	80CRI	90CRI
2700K	0.96	0.81
3000K	1	0.85
3500K	1.03	0.88
4000K	1.06	0.91
FC Formula = CBCP / Distance ²		

20D 18° NO LENS	
Throw Distance (ft)	Beam Diameter (ft)
6	1.9
8	2.5
10	3.2
12	3.8
14	4.4
Illuminance at Center (fc)	
323	
182	
116	
81	
59	
WATTS: 17.2	LPW: 121.4
LUMENS: 2088	CCT: 3000K
INTENSITY	
DEGREE	CANDELA
0	11622
5	10517
15	2170
25	862
35	401
45	3

25D 23° NO LENS	
Throw Distance (ft)	Beam Diameter (ft)
6	2.4
8	3.2
10	4
12	4.8
14	5.6
Illuminance at Center (fc)	
244	
137	
88	
61	
45	
WATTS: 17.2	LPW: 122.1
LUMENS: 2099	CCT: 3000K
INTENSITY	
DEGREE	CANDELA
0	8779
5	7589
15	2759
25	940
35	372
45	2

35D 36° NO LENS	
Throw Distance (ft)	Beam Diameter (ft)
6	3.9
8	5.2
10	6.5
12	7.8
14	9.1
Illuminance at Center (fc)	
128	
72	
46	
32	
23	
WATTS: 17.2	LPW: 120.6
LUMENS: 2074	CCT: 3000K
INTENSITY	
DEGREE	CANDELA
0	4594
5	4283
15	2845
25	1317
35	435
45	10

40LM CCT MULTIPLIERS		
	80CRI	90CRI
2700K	0.96	0.81
3000K	1	0.85
3500K	1.03	0.88
4000K	1.06	0.91
FC Formula = CBCP / Distance ²		

20D 18° NO LENS	
Throw Distance (ft)	Beam Diameter (ft)
6	1.9
8	2.5
10	3.2
12	3.8
14	4.4
Illuminance at Center (fc)	
644	
362	
232	
161	
118	
WATTS: 37.3	LPW: 111.7
LUMENS: 4165	CCT: 3000K
INTENSITY	
DEGREE	CANDELA
0	23188
5	20984
15	4329
25	1719
35	799
45	5

25D 23° NO LENS	
Throw Distance (ft)	Beam Diameter (ft)
6	2.4
8	3.2
10	4
12	4.8
14	5.6
Illuminance at Center (fc)	
487	
274	
175	
122	
89	
WATTS: 37.3	LPW: 112.3
LUMENS: 4189	CCT: 3000K
INTENSITY	
DEGREE	CANDELA
0	17516
5	15142
15	5504
25	1876
35	742
45	4

35D 36° NO LENS	
Throw Distance (ft)	Beam Diameter (ft)
6	3.9
8	5.2
10	6.5
12	7.8
14	9.1
Illuminance at Center (fc)	
255	
143	
92	
64	
47	
WATTS: 37.3	LPW: 110.9
LUMENS: 4138	CCT: 3000K
INTENSITY	
DEGREE	CANDELA
0	9166
5	8545
15	5676
25	2627
35	868
45	19

alphabet

PROJECT INFORMATION		
JOB NAME		TYPE
ORDERING CODE		

PHOTOMETRIC DATA

20LM CCT MULTIPLIERS		
	80CRI	90CRI
2700K	0.96	0.81
3000K	1	0.85
3500K	1.03	0.88
4000K	1.06	0.91
FC Formula = CBCP / Distance ²		

50D 49° NO LENS	
Throw Distance (ft)	Beam Diameter (ft)
6	9.0
8	5.1
10	3.3
12	2.3
14	1.7
Illuminance at Center (fc)	
WATTS: 17.2	LPW: 121.2
LUMENS: 2085	CCT: 3000K
INTENSITY	
DEGREE	CANDELA
0	3253
5	3231
15	2606
25	1591
35	450
45	13

65D 65° NO LENS	
Throw Distance (ft)	Beam Diameter (ft)
6	5.9
8	3.3
10	2.1
12	1.5
14	1.1
Illuminance at Center (fc)	
WATTS: 17.2	LPW: 120.9
LUMENS: 2080	CCT: 3000K
INTENSITY	
DEGREE	CANDELA
0	2103
5	2101
15	1990
25	1520
35	779
45	144

40LM CCT MULTIPLIERS		
	80CRI	90CRI
2700K	0.96	0.81
3000K	1	0.85
3500K	1.03	0.88
4000K	1.06	0.91
FC Formula = CBCP / Distance ²		

50D 49° NO LENS	
Throw Distance (ft)	Beam Diameter (ft)
6	180
8	102
10	65
12	45
14	33
Illuminance at Center (fc)	
WATTS: 37.3	LPW: 111.5
LUMENS: 4160	CCT: 3000K
INTENSITY	
DEGREE	CANDELA
0	6491
5	6446
15	5200
25	3175
35	898
45	25

65D 65° NO LENS	
Throw Distance (ft)	Beam Diameter (ft)
6	117
8	66
10	42
12	29
14	21
Illuminance at Center (fc)	
WATTS: 37.3	LPW: 111.2
LUMENS: 4150	CCT: 3000K
INTENSITY	
DEGREE	CANDELA
0	4195
5	4191
15	3971
25	3033
35	1555
45	288

alphabet

PROJECT INFORMATION		
JOB NAME		TYPE
ORDERING CODE		

PHOTOMETRIC DATA

10LM CCT MULTIPLIERS		
	80CRI	90CRI
2700K	0.96	0.81
3000K	1	0.85
3500K	1.03	0.88
4000K	1.06	0.91
FC Formula = CBCP / Distance ²		

8D 7.8° NO LENS	
Throw Distance (ft)	Beam Diameter (ft)
6	708
8	398
10	255
12	177
14	130
Illuminance at Center (fc)	
WATTS: 10.2	LPW: 97.9
LUMENS: 998	CCT: 3000K
INTENSITY	
DEGREE	CANDELA
0	25483
5	8161
15	463
25	362
35	215
45	0.5

12D 12° NO LENS	
Throw Distance (ft)	Beam Diameter (ft)
6	330
8	185
10	119
12	82
14	61
Illuminance at Center (fc)	
WATTS: 8.7	LPW: 115
LUMENS: 1001	CCT: 3000K
INTENSITY	
DEGREE	CANDELA
0	11863
5	7515
15	660
25	371
35	192
45	0.3

20LM CCT MULTIPLIERS		
	80CRI	90CRI
2700K	0.96	0.81
3000K	1	0.85
3500K	1.03	0.88
4000K	1.06	0.91
FC Formula = CBCP / Distance ²		

8D 7.8° NO LENS	
Throw Distance (ft)	Beam Diameter (ft)
6	1413
8	795
10	509
12	353
14	260
Illuminance at Center (fc)	
WATTS: 23.2	LPW: 85.9
LUMENS: 1992	CCT: 3000K
INTENSITY	
DEGREE	CANDELA
0	50863
5	16290
15	924
25	722
35	429
45	1

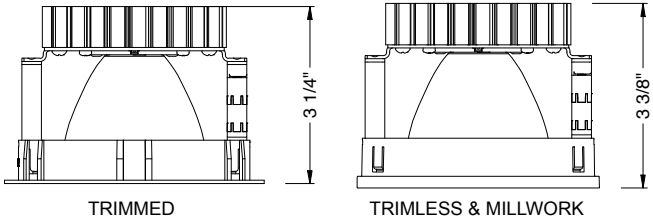
12D 12° NO LENS	
Throw Distance (ft)	Beam Diameter (ft)
6	645
8	363
10	232
12	161
14	118
Illuminance at Center (fc)	
WATTS: 17	LPW: 115.1
LUMENS: 1957	CCT: 3000K
INTENSITY	
DEGREE	CANDELA
0	23203
5	14698
15	1290
25	725
35	375
45	1

PROJECT INFORMATION		
JOB NAME		TYPE
ORDERING CODE		

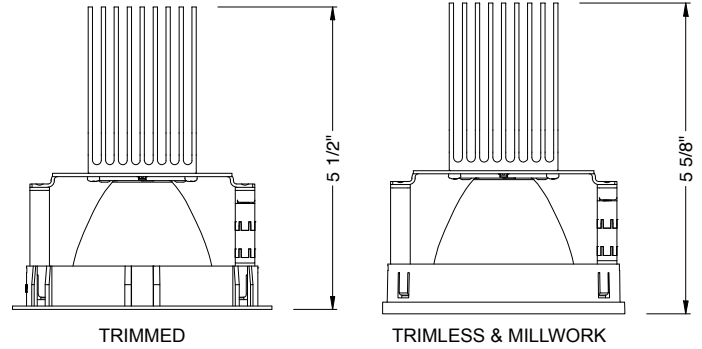
MOUNTING OPTIONS

FIXTURE HEIGHT

10M - 30LM CONFIGURATION

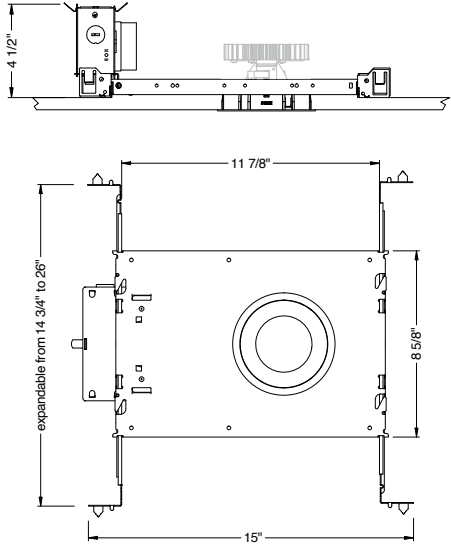


35M - 40LM CONFIGURATION

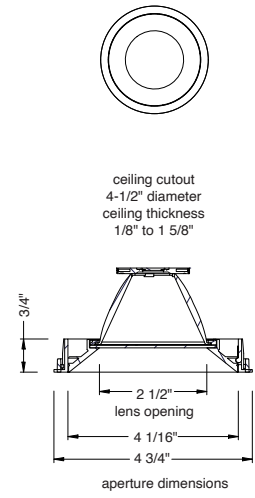


NC - NEW CONSTRUCTION

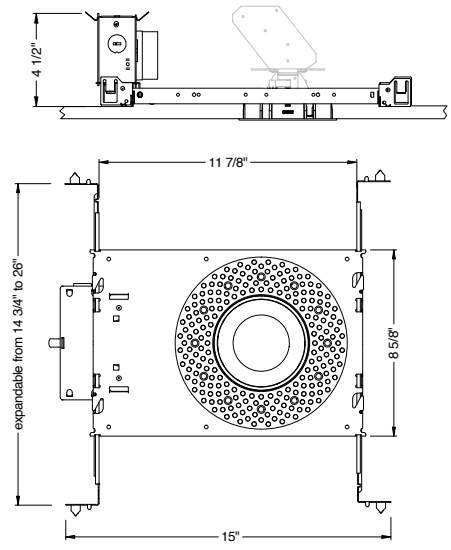
TRIM



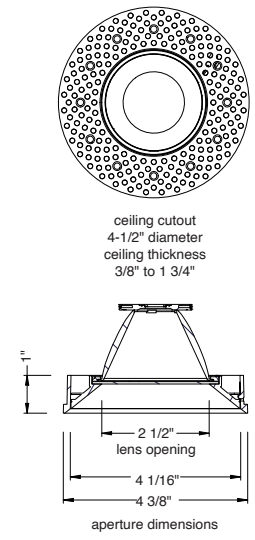
TRIM



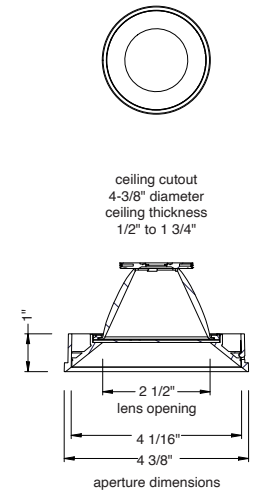
TRIMLESS



TRIMLESS



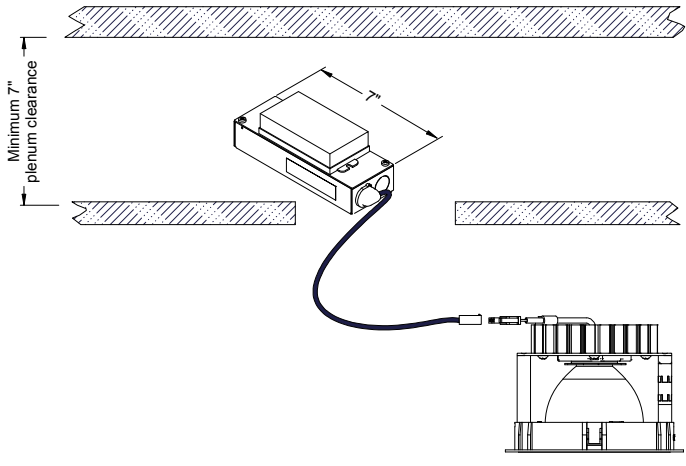
TRIMLESS/MILLWORK



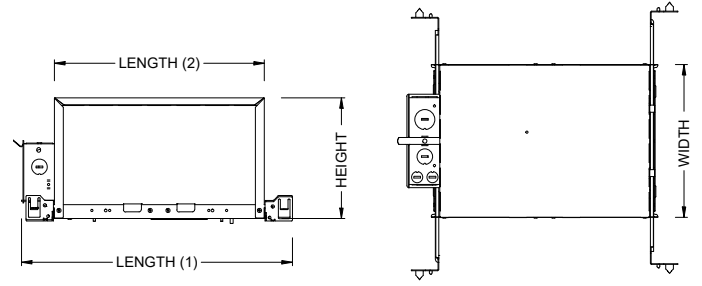
PROJECT INFORMATION		
JOB NAME		TYPE
ORDERING CODE		

MOUNTING OPTIONS (CONTINUED)

RET - RETRO TRIM/TRIMLESS



IC - INSULATION CONTACT HOUSING ICAT - INSULATION CONTACT / AIR TIGHT CP - CHICAGO PLENUM



BOX SIZE	L 1	L 2	W	H
A	15 - 7/16"	11 - 3/4"	8 - 1/2"	6 - 3/4"
B	18 - 1/4"	14 - 7/8"	12 - 1/8"	11 - 1/4"

RATINGS / CERTIFICATIONS	NC	RET	IC	ICAT	CP
TYPE NON-IC	✓	✓			
TYPE IC			✓	✓	✓
CHICAGO PLENUM (CCEA)					✓
SUITABLE FOR AIR HANDLING PLENUMS	✓	✓	✓	✓	✓
REDUCED AIRFLOW (WITH LENS) ASTM E283	✓	✓	✓	✓	✓

BOX TYPE / LUMEN OUTPUT - NARROW BEAM (8°-12°)						
LUMEN OUTPUT	BOX - A			BOX - B		
	IC	ICAT	CP	IC	ICAT	CP
10LM	✓	✓	✓			
15LM	✓	✓	✓			
20LM				✓	✓	✓

CEILING THICKNESS	
FIXTURE TYPE	MOUNTING TYPE
	STANDARD CEILING THICKNESS
TRIM	1/8" to 1-5/8"
TRIMLESS	3/8" to 1-3/4"
MILLWORK (TRIMLESS)	1/2" to 1-3/4"

BOX TYPE / LUMEN OUTPUT - STANDARD BEAMS (20° - 65°)						
LUMEN OUTPUT	BOX - A			BOX - B		
	IC	ICAT	CP	IC	ICAT	CP
10LM	✓	✓	✓			
15LM	✓	✓	✓			
20LM	✓	✓	✓			
25LM	✓	✓	✓			
30LM	✓	✓	✓			
35LM				✓	✓	✓
40LM						

PROJECT INFORMATION		
JOB NAME		TYPE
ORDERING CODE		

BATTERY OPTIONS

EMERGENCY BATTERY

IOTA's ILB Battery Backups are UL Listed LED emergency drivers that allow the same LED fixture to be used for both normal and emergency operation. In the event of a power failure, the ILB switches to the emergency mode and operates the existing fixture for 90 minutes. The unit contains a battery, charger, and converter circuit in a single can. The Constant Power design of the ILB maintains the output wattage to the LED array even as the system voltage diminishes. UL 924 Listed for U.S. and Canada. UL 1310 Certified, Output Class 2 Compliant. Includes single-piece TBTS test switch and charge indicator accessory kit. For use with switched and unswitched fixtures, and includes Two-wire universal AC input. Meets or exceeds all National Electric Code and Life Safety Code Emergency Lighting Requirements. Rated for use in Plenum, Damp Location, Recessed Type IC, and Enclosed and Gasketed Luminaires.

REMOTE TEST SWITCH

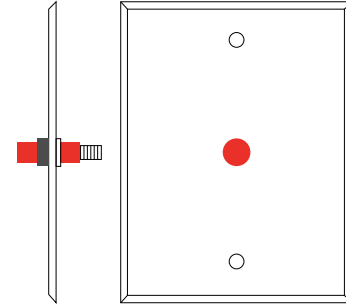
The Remote Test Switch may be mounted adjacent to the LED Fixture by others.

EMERGENCY BATTERY ACCESS

Above ceiling access is required for service. An access panel in the ceiling (or other form of access) adjacent to the installation location of the Emergency Battery is required.

REMOTE LOCATION

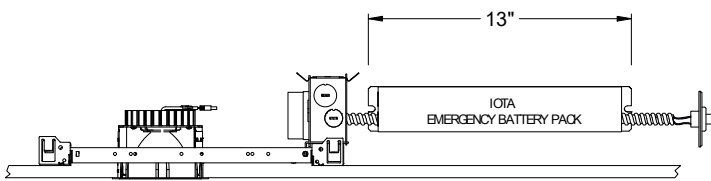
Maximum remote mounting distance of the emergency driver shall be 50 feet. Remote location wiring provided by others. Follow all Local and National Electric/ Building Codes.



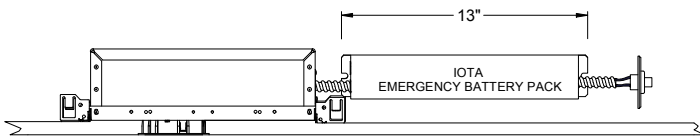
Remote Test Switch

EM MODE OUTPUT (DELIVERED LUMENS)			
LUMEN ORDERING CODE	EM7	EM10	EM12
ALL OPTIONS (10LM TO 30LM)	820LM	1200LM	1480LM
Notes: Based on 30K, 80CRI			

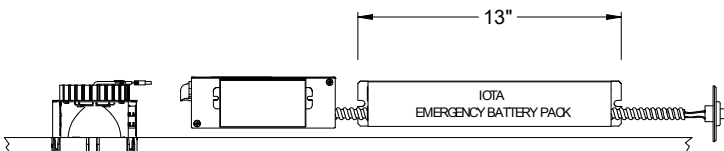
NC - NEW CONSTRUCTION WITH EM BATTERY (REMOTE TEST SWITCH)



IC / ICAT / CP - INSULATION CONTACT HOUSING WITH EM BATTERY (REMOTE TEST SWITCH)

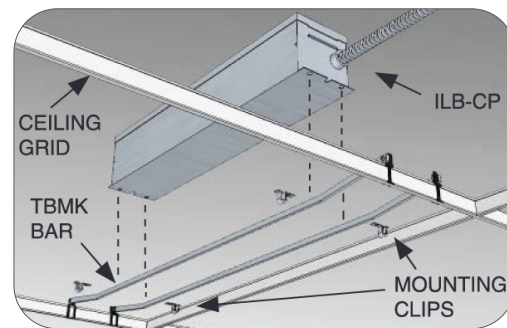


RET - RETROFIT WITH EM BATTERY (REMOTE TEST SWITCH)



Accessory

76066 Optional T-Grid Mounting Kit¹



1. Can be used with any of the Emergency Battery Backups. Must be ordered as a separate line item.