

## Dimmable Chic Frontlit Mirror 24 x 32 Gold



### DESCRIPTION

The Chic Frontlit Mirror features a clean, rectangular design with a refined framed finish. Front-lit LED illumination provides bright, even lighting across the surface for everyday use. Its minimal, modern profile makes it a versatile addition to a wide range of interiors.

### FEATURES & BENEFITS

- Color: Gold
- Energy efficient LED technology
- Front-lit
- Dimmable
- LED Lifetime: Approx. 120,000 hours
- Copper-free, silver-backed glass
- Hangs vertically or horizontally
- 5 year warranty

### AVAILABLE LED OPTIONS

- 3000K LED Strip
- 6000K LED Strip
- CCT Selectible (Touch Sensor) - 3000K, 4000K, 6000K
- RGBW LED with Remote Control

### SPECIFICATIONS

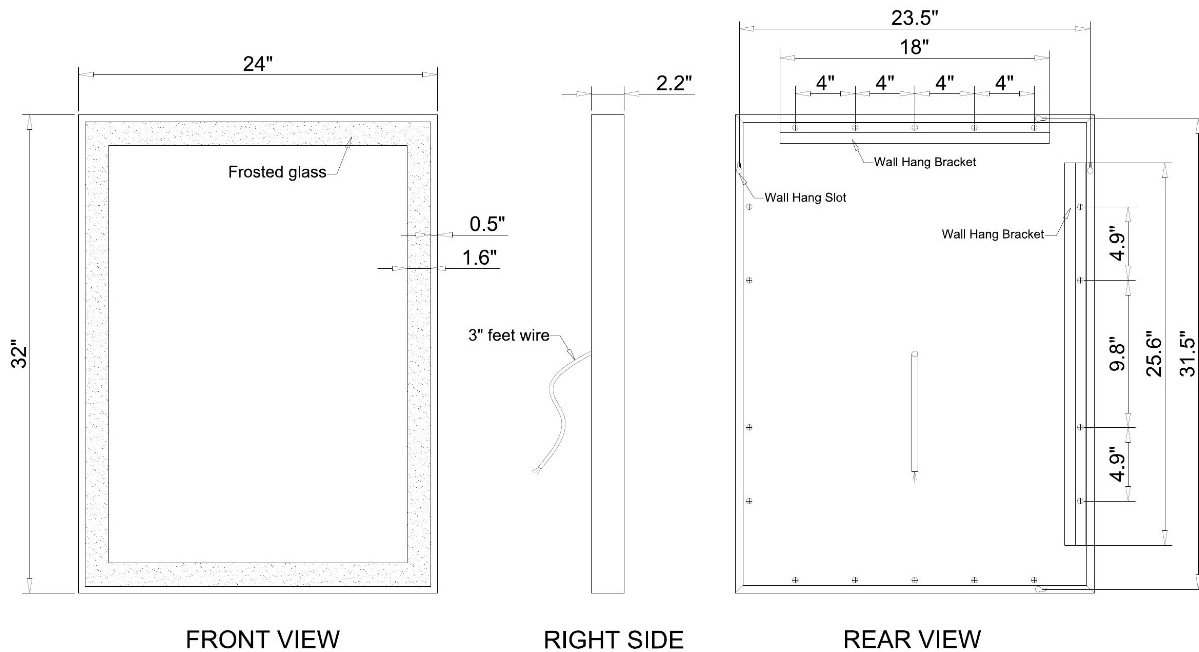
- **Dimensions:** 24" x 32"
- **Weight:** 23 Lbs
- **Ingress Protection Rating:** IP44
- **Input Voltage:** Hardwire 110V
- **Color Rendering Index:** CRI 90+
- **Power Requirement:** 38W
- **Brightness:** 4594 Lumens

### SAFETY SPECIFICATIONS

- Entire assembly meets UL/cUL standards
- International Certifications



## Dimmable Chic Frontlit Mirror 24 x 32 Gold



### INSTALLATION

- Hold the Z-bar on the wall, level it, and mark screw points.
- Drill pilot holes; add wall anchors if not hitting a stud. Install Z-bar (wall piece) – Screw it firmly into place and keep it level.
- Hook the mirror's pre-installed bracket over the wall cleat.
- Match & attach 3 electrical wires from mirror to home electrical wires: Live to Live, Ground to Ground, Neutral to Neutral.

### CARE & SAFETY

- Wear suitable eye wear protection when drilling. Use caution when using power tools near water, beware of hidden cables or pipes.
- Be cautious if drilling on tiled surfaces in case the drill slips. Applying a piece of masking tape on the wall before marking out fixing holes can help stopping the drill from moving.

### CLEANING & MAINTENANCE

- It is recommended to clean the unit with a soft, dry, non-abrasive cloth when turned off.
- Never use cleaning agents or abrasive material on any type of surface finish.
- Do not strike glass components with hard or pointy items.
- Do not place very hot or cold items against or in close proximity to glass surfaces.