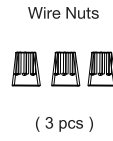
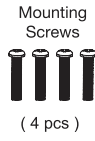
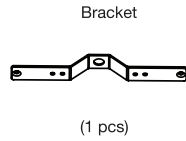
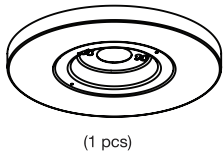


12" ROUND SLIM SURFACE MOUNT BRACKET LR23648B

PACKAGE CONTENTS



TOOLS AND MATERIALS REQUIRED

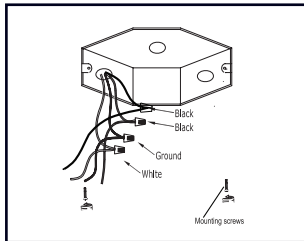


*Wiring supplies as required by the Canadian Electrical Code and/or the Quebec Electrical code.

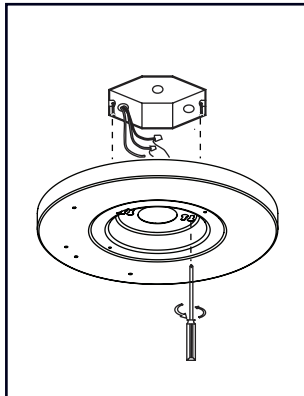
SAFETY RECOMMENDATIONS

1. The lighting shall be mounted at a height of maximum 4.0m
2. Do not use outdoors
3. Do not mount near gas or electric heaters. Do not let power supply cords touch hot surfaces.
4. Use caution when charging batteries - **TURN ALL POWER OFF, BOTH WALL SWITCH AND MAIN POWER.** Use only designated battery as supplied with original unit or as listed for use with this product. Dispose of old battery in designated disposal location.
5. Equipment should be mounted in locations and at heights where it will not be subject to tampering by unauthorized personnel.
6. This product is designed for use with our 12" Round Slim. **MUST NOT BE USED WITH ANY OTHER FIXTURE.**
7. DO NOT use this product for other than the intended use.
8. Save these instructions for future reference.

INSTALLATION INSTRUCTIONS FOR 4" JUNCTION BOX



1. Turn off/Disconnct power at Circuit breaker. Typical junction box wiring has only white & black switched wires controlled by wall switch for on/off or dimming. Ensure the junction box has an additional set of **UNSWITCHED WIRES** (continuous) main power wires available if necessary, add these wires as shown. (Label these additional wires so correct connections can be made)

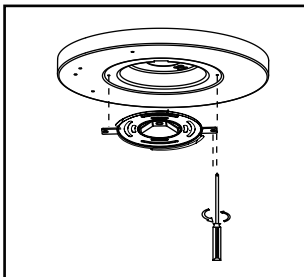


2. Screw the Emergency Backup unit up into the junction box using the 2x8/32 screws provided. Then using the wire unit provided, connect the three (3) cables available for connection into the junction box.

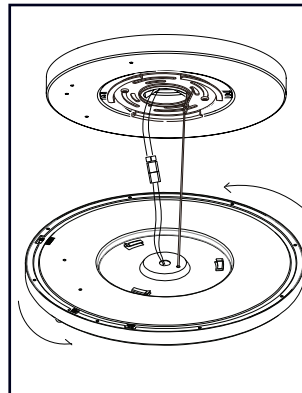
- a. Connect the "Switched Line" to the black switched power cable coming from the junction box.

- b. Connect the "Continuous Main Power" from the battery backup box to the continuou main black wire from the junction box.

- c. Connect the "Neutral" white wire from the battery backup together with the other two neutral wires.



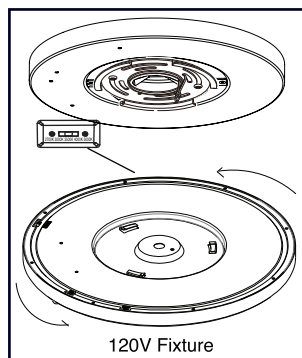
3. Screw the bracket that locks the mounting plate into the emergency backup using the 2 pc screws provided.



4. Make electrical connections from the LED lighting fixture with the battery backup.

- a. Use the orange connector already supplied and affixed to the unit.

- b. Be sure to connect the ground wire coming from the lighting fixture.



5. Feed all wires up into the battery backup box and raise the lighting fixture up to the ceiling.

- a. Attach provided to indents (openings) of the mounting bracket and align mounting tabs on back of the fixture with indents in the mounting bracket.

- b. Using sticker on the fixture (reference point for mounting tab) and on the ceiling as reference point, lift fixture up to the emergency backup and rotate clockwise until fixture is secured (45° turn until it locks in place.)