

# LUNA

## 3.5" Round Dim-to-Warm Regressed Gimbal Recessed Downlighting

Job Information		
Project Name		Type
Location		
Quantity		Date
Contact/Phone		
Notes		

### Features

#### Body

Durable airtight aluminum body with adjustable regressed gimbal. Includes anodized blue heat sink to provide maximum airflow for the LED light source.

#### LED Characteristics

This general application light fixture features an LED module that maintains uniform intensity producing up to 700 lumens; with a typical CRI of 90. Available in 3000 K color temperature.

#### Dimming

Color temperature dimming from 3000 K to 2000 K. This fixture is compatible with industry standard forward-phase / reverse-phase and TRIAC/ELV dimmers (contact factory for list of compatible dimmers).

#### Beam Spread

The fixture lens provides 38° beam spread.

#### Mounting

Includes two spring loaded clips to attached to any ceiling material.

#### LED Driver

Extruded aluminum hardwire box with 12 watt (300mA) or 9 watt (210mA) dimmable class II electronic LED driver with 100-135V AC input. Includes an 18" FT6 rated cable with DC 2.1 connector between driver and fixture approved for use in plenums and suspended ceilings.

#### Quick Connect push-in terminals

Three "Quick connect" push-in terminals for fast and easy wiring.

#### Operating Temperature

-20°C~40°C (-4°F~104°F)

#### Environment

- Suitable for wet locations.
- Approved for direct contact with insulation.
- Airtight

#### QuickShip In-Stock

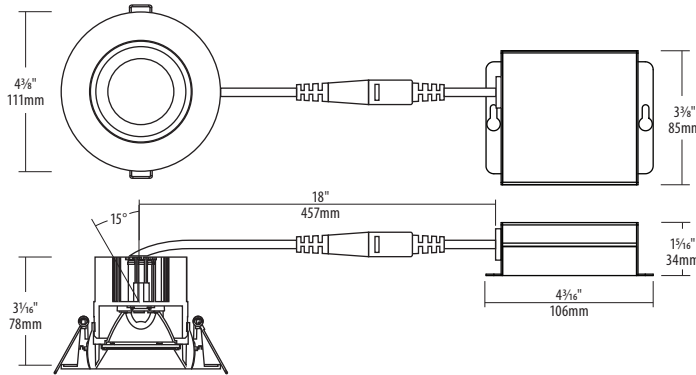
In-Stock products ship within two business days of an order being released.\*

SPECIFICATION	
Application	Ceiling Recess Mount
Approved Location	Wet / Insulated Ceilings
Beam Angle	38°
CCT	3000 K~2000 K
Certification	cETLus
Class II	Yes
Color	BK / BN / OB / WH
CRI	90+
Dimming	Yes
Dimming Tech	Forward/reverse-phase TRIAC/ELV
Hole Cut	Ø 3 3/8" (92mm)
Input	100-135V AC, 50 / 60Hz
Lumens	700
Lumens per Watt	64
Power Factor	>0.90
Projected Life	70% @ 33,000 hrs
Warranty	Lifetime
Wattage	9W / 12W



### Description

Evolved to be a flexible, low-glare, and aesthetically pleasing luminaire, the LUNA Designer Series offers contractors, builders, homeowners and designers, a fixture with regressed optics abilities, to promote on-site flexibility, while enhancing sleek, directional lighting in both commercial and residential spaces.



**Notes:** Accessories are sold separately. For additional options please consult your Liteline representative. Due to our continued efforts to improve our products, product specifications are subject to change without notice.

### Ordering Guide

Wattage	Driver Options	Trim Finish
<b>RA35</b> - <input type="text"/> RG-DTW90	<input type="text"/>	<input type="text"/>
12: 12 watt 9: 9 watt	Leave blank for standard 120V driver <b>E</b> : Lutron Hi-Lume® 1% (EcoSystem®) <b>EM</b> : Emergency Backup, 120-277V, 0-10V <b>C</b> : 120-347V, 0-10V	<b>BK</b> : Black <b>BN</b> : Brushed Nickel <b>WH</b> : White <b>OB</b> : Oil Rubbed Bronze



Highlighted option denotes QuickShip.

\* QuickShip lead time may vary for orders greater than 100 pieces. No additional shipment rates apply. Subject to availability.

## Accessories



### SLM-60-FC

60" Flexible connector, for use with SlimLED fixtures.



### P-3520

3 $\frac{5}{8}$ " Round pre-mounting plate with driver attachment clip, for 3 $\frac{1}{2}$ " LUNA LED fixtures.



### P-3520NC

3 $\frac{5}{8}$ " Round new construction plate with driver attachment clip, for 3 $\frac{1}{2}$ " LUNA LED fixtures.



### P-3524

3 $\frac{5}{8}$ " Round pre-mounting plate with driver attachment clip, for 3 $\frac{1}{2}$ " LUNA LED fixtures. 24" long for mounting in oversized joist spacing applications.



### P-NCMK-1

New construction mounting kit. Includes hanger bars, brackets and screws.



### RA35-XLRING-BK

Reducer ring for 3 $\frac{1}{2}$ " LUNA fixtures, black.



### RA35-XLRING-BN

Reducer ring for 3 $\frac{1}{2}$ " LUNA fixtures, brushed nickel.



### RA35-XLRING-WH

Reducer ring for 3 $\frac{1}{2}$ " LUNA fixtures, white.



### VBE-1

Vapour barrier extender. For use in new construction applications.



### VBE-2

Vapour barrier extender. For use in remodel applications.



### VBE-3

Vapour barrier extender. For use in remodel applications.



### VBE-4

Vapour barrier extender. For use in remodel applications.



### VBE-5

Vapour barrier extender. For use in new construction applications.



### LC-CRTL-DIM-1

Smart Wi-Fi dimmer, 120V.